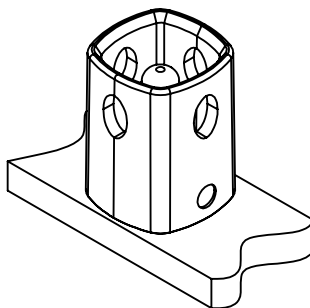
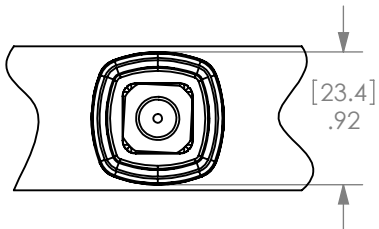


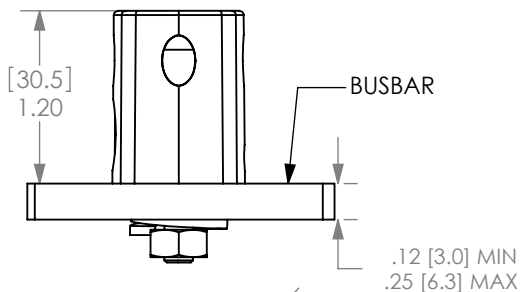
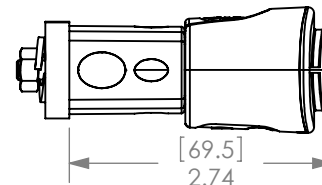
THE INFORMATION CONTAINED IN THIS DRAWING IS THE SOLE PROPERTY OF ANDERSON POWER PRODUCTS. ANY REPRODUCTION IN PART OR WHOLE WITHOUT THE WRITTEN PERMISSION OF ANDERSON POWER PRODUCTS IS PROHIBITED.

**Copyright 2004**

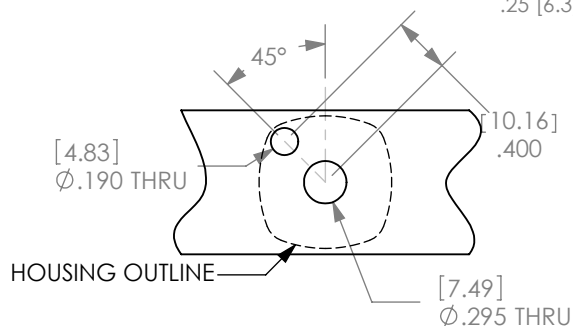
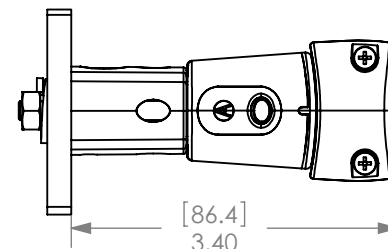
ANDERSON POWER PRODUCTS RESERVES THE RIGHT TO ALTER PRODUCT TYPES, THEIR TECHNICAL DATA, DIMENSION, STYLE AND ACCESSORIES WITHOUT PRIOR NOTIFICATION.



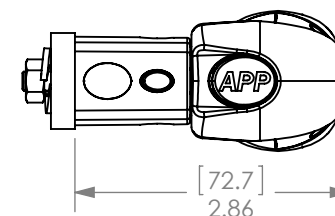
MATED LENGTH TO SP FEMALE STRAIGHT WIRE WITHOUT CABLE CLAMP



MATED LENGTH TO SP FEMALE STRAIGHT WIRE WITH OPTIONAL CABLE CLAMP



MATED LENGTH TO SP FEMALE RIGHT ANGLE



**NOTES:**

- BUSBARS TO BE .12[3.0] - .25[6.3] THICK
- CONNECTOR KIT COMES WITH HOUSING, BUSBAR CONTACT, M6 NUT AND LOCKWASHER
- MATERIALS:  
HOUSING: POLYESTER  
BUSBAR CONTACT: COPPER ALLOY, SILVER PLATE  
HARDWARE: STEEL, ZINC PLATE  
REFER TO THE DATA SHEET FOR COMPLETE SPECIFICATIONS
- TIGHTENING TORQUE = 31 IN-LBS [3.5N-M]

DIMENSIONS ARE IN:		INCH [MM]		<b>APPROVALS</b>		<b>ANDERSON POWER PRODUCTS</b>	
UNLESS OTHERWISE STATED				DRAWN	CMS	9/13/2004	<b>TITLE</b> POWERMOD HP A SERIES SINGLE POLE MALE BUSBAR CONNECTOR
TOLERANCES:				CHECKED	DJD	1/17/2005	
DECIMALS (INCH)	DECIMALS (MM)	ANGLES		MFG APPR	DAM	3/21/2005	
.XX ±.02	.X ±.5	±2°		QC APPR	CHB	3/14/2005	
SURFACE FINISH:				ENG APPR	MAW	3/15/2005	
MACHINED 128µin [3.2µ]				SIZE	A	DWG NO.	114540S1
MOLDED 64µin [1.6µ]				SCALE	NONE	CADFILE	02134
MATERIAL: SEE NOTES				-CAD GENERATED DRAWING- DO NOT MANUALLY UPDATE DO NOT SCALE		REV. 1	
FINISH: SEE NOTES				3rd ANGLE PROJECTION		SHEET 1 OF 1	

1	ECRN-15777	CMS	2/17/2015
REV.	DESCRIPTION	APPRV	DATE
REVISIONS			