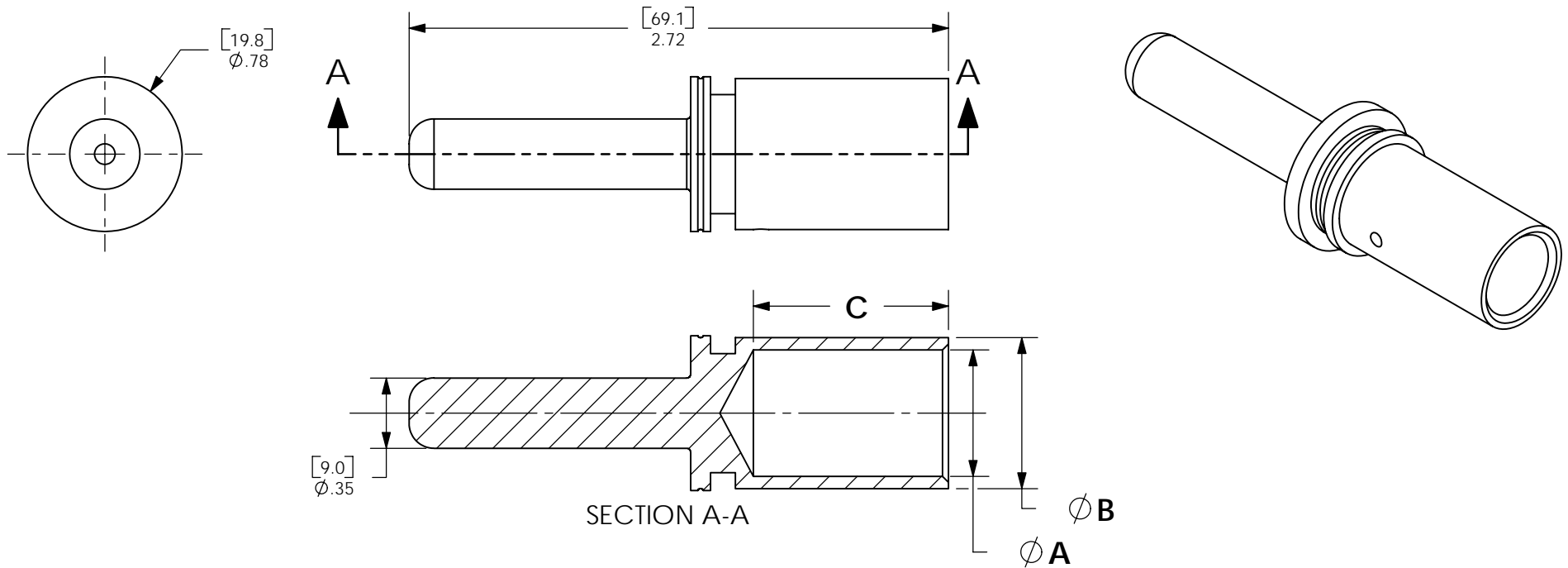


THE INFORMATION CONTAINED IN THIS DRAWING IS THE SOLE PROPERTY OF ANDERSON POWER PRODUCTS. ANY REPRODUCTION IN PART OR WHOLE WITHOUT THE WRITTEN PERMISSION OF ANDERSON POWER PRODUCTS IS PROHIBITED.

Copyright 2006

ANDERSON POWER PRODUCTS RESERVES THE RIGHT TO ALTER PRODUCT TYPES, THEIR TECHNICAL DATA, DIMENSION, STYLE AND ACCESSORIES WITHOUT PRIOR NOTIFICATION.



PART NO	WIRE SIZE	A		B		C	
		IN	mm	IN	mm	IN	mm
PMHPBP01	4/0	.64	16.2	.76	19.3	.98	25.0
PMHPBP02	95mm sq	.59	15.0	.78	19.8	.98	25.0
PMHPBP03	2/0-70mm sq	.51	13.0	.67	17.0	.79	20.0
PMHPBP04	1/0- 50mm sq	.44	11.3	.57	14.5	.79	20.0

NOTES:

- CONTACTS TO BE USED IN POWERMOD HP B SERIES HOUSINGS ONLY
- CONTACTS MUST BE CRIMPED ONTO WIRE BEFORE ASSEMBLY INTO HOUSINGS
- REFER TO DATA SHEET FOR CRIMP TOOLING

DIMENSIONS ARE IN:	INCH[MM]	APPROVALS		 ANDERSON POWER PRODUCTS
UNLESS OTHERWISE STATED		DRAWN	CMS 6/2/06	
TOLERANCES:		CHECKED	DJD 6/8/06	
DECIMALS (INCH)	DECIMALS (MM)	ANGLES	MFG APP	
.XX ± .02	.X ± .5	± 2°	CHB 6/7/06	
SURFACE FINISH:		MATERIAL:	QC APP	SIZE A/A4
MACHINED 128 [3.2] ✓ MOLDED 64 [1.6] ✓		COPPER ALLOY	UFN 6/5/06	
FINISH:		ENG APP	DAM 6/2/06	DWG NO.
SILVER PLATE		CAD GENERATED DRAWING. DO NOT MANUALLY UPDATE. DO NOT SCALE		114663S1
 3rd ANGLE PROJECTION		SCALE		REV.
		NONE		0
		CADFILE		SHEET
		02539		1 OF 1

REV.	DESCRIPTION OF CHANGES	APPROVED	DATE
*	*****	***	*****