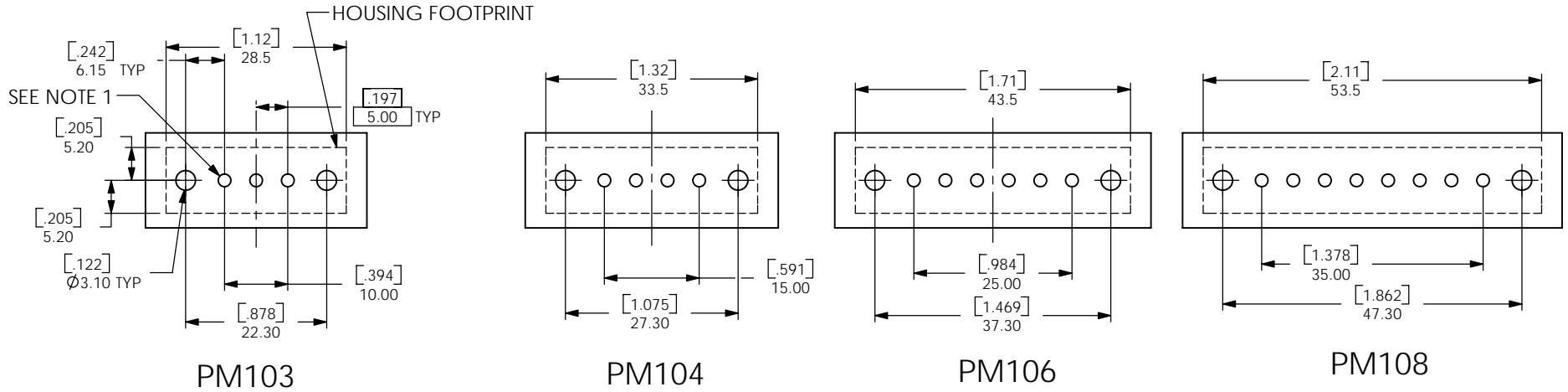


THE INFORMATION CONTAINED IN THIS DRAWING IS THE SOLE PROPERTY OF ANDERSON POWER PRODUCTS. ANY REPRODUCTION IN PART OR WHOLE WITHOUT THE WRITTEN PERMISSION OF ANDERSON POWER PRODUCTS IS PROHIBITED.

Copyright 2006

ANDERSON POWER PRODUCTS RESERVES THE RIGHT TO ALTER PRODUCT TYPES, THEIR TECHNICAL DATA, DIMENSION, STYLE AND ACCESSORIES WITHOUT PRIOR NOTIFICATION.

PCB LAYOUT FOR 1-ROW STRAIGHT PCB CONNECTORS



- NOTES:
- Ø2.00[.078] SUGGESTED FINISHED HOLE DIAMETER PER CONTACT TERMINATION
 - HOUSING FOOTPRINT INCLUDES CLEARANCE FOR LATCHES AND MOUNTING ACCESSORIES

DIMENSIONS ARE IN:		MM[INCH]	APPROVALS		 ANDERSON POWER PRODUCTS		
UNLESS OTHERWISE STATED			DRAWN	CMS 6/1/06		TITLE POWERMOD PCB LAYOUT- STRAIGHT PCB CONNECTORS	
TOLERANCES:			CHECKED	DJD 6/12/06			
DECIMALS (INCH)	DECIMALS (MM)	ANGLES	MFG APP	CHB 6/9/06			
.XX ± .05	.X ± .5	±2°	QC APP	UFN 6/9/06			
SURFACE FINISH:			ENG APP	DAM 6/9/06	SIZE	DWG NO.	REV.
MACHINED 128 [3.2] ✓					A/A4	114662S1	0
MOLDED 64 [1.6] ✓					SCALE	CADFILE	SHEET
MATERIAL: N/A					NONE	02538	1 OF 3
FINISH: N/A					CAD GENERATED DRAWING- DO NOT MANUALLY UPDATE DO NOT SCALE		

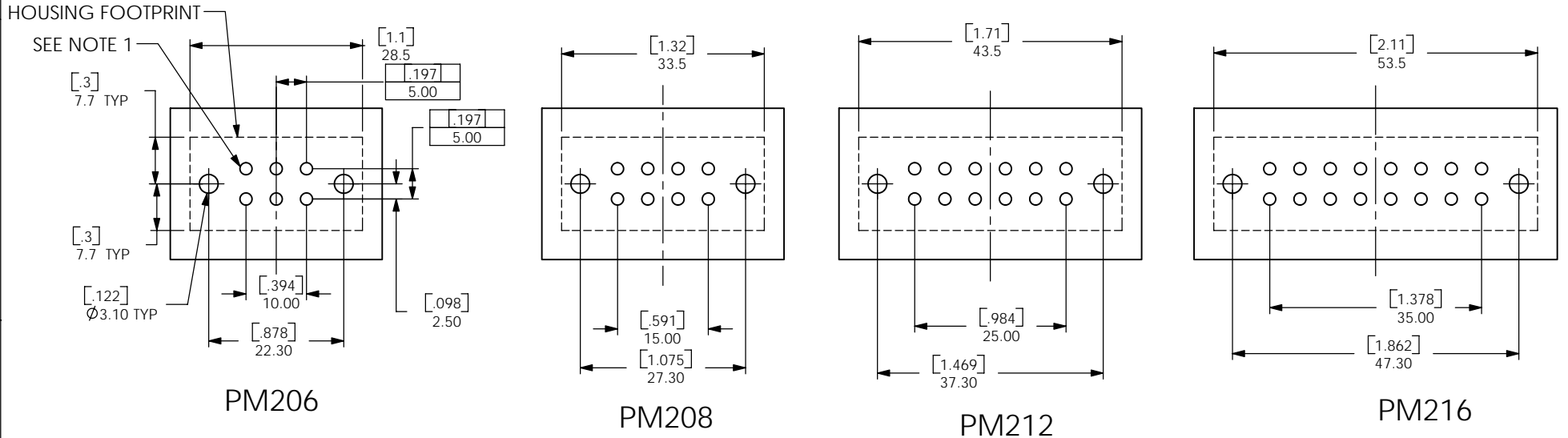
*	*****	***	*****
REV.	DESCRIPTION OF CHANGES	APPROVED	DATE

THE INFORMATION CONTAINED IN THIS DRAWING IS THE SOLE PROPERTY OF ANDERSON POWER PRODUCTS. ANY REPRODUCTION IN PART OR WHOLE WITHOUT THE WRITTEN PERMISSION OF ANDERSON POWER PRODUCTS IS PROHIBITED.

Copyright 2006

ANDERSON POWER PRODUCTS RESERVES THE RIGHT TO ALTER PRODUCT TYPES, THEIR TECHNICAL DATA, DIMENSION, STYLE AND ACCESSORIES WITHOUT PRIOR NOTIFICATION.

PCB LAYOUT FOR 2-ROW STRAIGHT PCB CONNECTORS



- NOTES:
1. $\varnothing 2.00$ [.078] SUGGESTED FINISHED HOLE DIAMETER PER CONTACT TERMINATION
 2. HOUSING FOOTPRINT INCLUDES CLEARANCE FOR LATCHES AND MOUNTING ACCESSORIES

DIMENSIONS ARE IN:		MM[INCH]	APPROVALS		 ANDERSON POWER PRODUCTS
UNLESS OTHERWISE STATED			DRAWN	CMS 6/1/06	
TOLERANCES:			CHECKED	DJD 6/12/06	TITLE POWERMOD PCB LAYOUT- STRAIGHT PCB CONNECTORS
DECIMALS (INCH)	DECIMALS (MM)	ANGLES	MFG APP	CHB 6/12/06	
.XX ± .05	.X ± .5	± 2°	QC APP	UFN 6/9/06	
SURFACE FINISH:			ENG APP	DAM 6/9/06	
MACHINED 128 [3.2] ✓			SIZE	A/A4	DWG NO. 114662S1
MOLDED 64 [1.6] ✓			SCALE	NONE	
MATERIAL: N/A			CAD GENERATED DRAWING- DO NOT MANUALLY UPDATE DO NOT SCALE		REV. 0
FINISH: N/A			SIZE	CADFILE	
			SCALE	02538	SHEET 2 OF 3

*	*****	***	*****
REV.	DESCRIPTION OF CHANGES	APPROVED	DATE

8

7

6

5

4

3

2

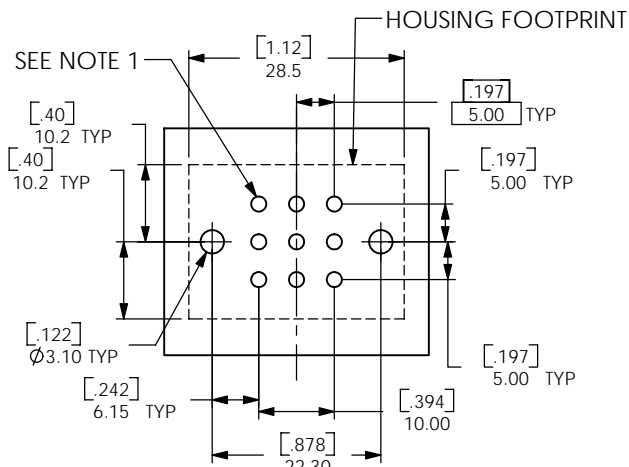
1

THE INFORMATION CONTAINED IN THIS DRAWING IS THE SOLE PROPERTY OF ANDERSON POWER PRODUCTS. ANY REPRODUCTION IN PART OR WHOLE WITHOUT THE WRITTEN PERMISSION OF ANDERSON POWER PRODUCTS IS PROHIBITED.

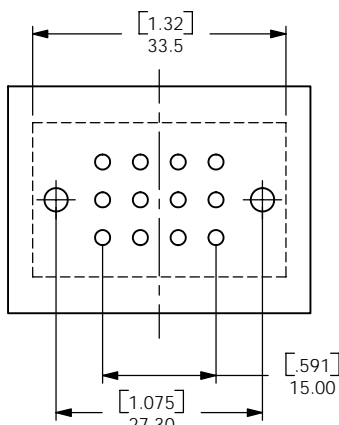
Copyright 2006

ANDERSON POWER PRODUCTS RESERVES THE RIGHT TO ALTER PRODUCT TYPES, THEIR TECHNICAL DATA, DIMENSION, STYLE AND ACCESSORIES WITHOUT PRIOR NOTIFICATION.

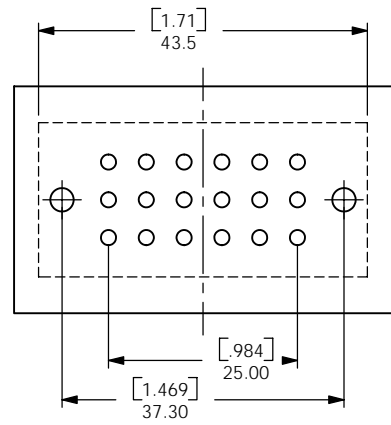
PCB LAYOUT FOR 3-ROW STRAIGHT PCB CONNECTORS



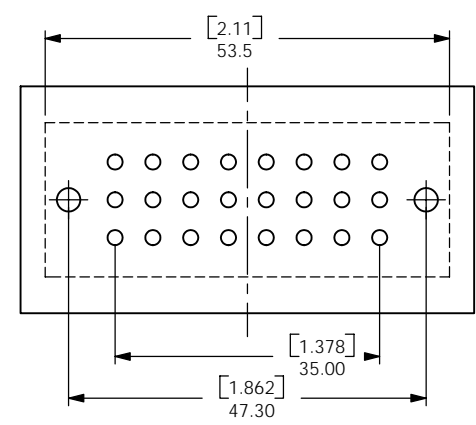
PM309



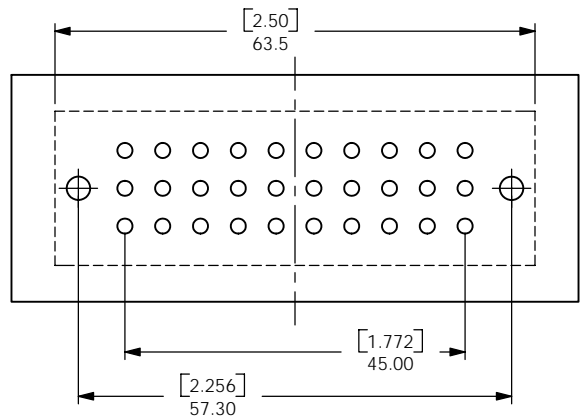
PM312



PM318



PM324



PM330

- NOTES:
1. Ø2.00[.078] SUGGESTED FINISHED HOLE DIAMETER PER CONTACT TERMINATION
 2. HOUSING FOOTPRINT INCLUDES CLEARANCE FOR LATCHES AND MOUNTING ACCESSORIES

DIMENSIONS ARE IN:	MM[INCH]	APPROVALS	
UNLESS OTHERWISE STATED		DRAWN	CMS 6/1/06
TOLERANCES:		CHECKED	DJD 6/12/06
DECIMALS (INCH)	DECIMALS (MM)	ANGLES	MFG APP
.XX ±.02	.X ±.5	±2°	CHB 6/9/06
SURFACE FINISH:		QC APP	UFN 6/9/06
MACHINED	128 [3.2] ✓	ENG APP	DAM 6/9/06
MOLDED	64 [1.6] ✓		
MATERIAL: N/A		SIZE	DWG NO.
FINISH: N/A		A/A4	114662S1



TITLE
POWERMOD PCB LAYOUT-STRAIGHT PCB CONNECTORS

REV. 0

REV.	DESCRIPTION OF CHANGES	APPROVED	DATE



CAD GENERATED DRAWING- DO NOT MANUALLY UPDATE DO NOT SCALE

SCALE NONE
 DWG NO. 02538
 SHEET 3 OF 3

8

7

6

5

4

3

2

1