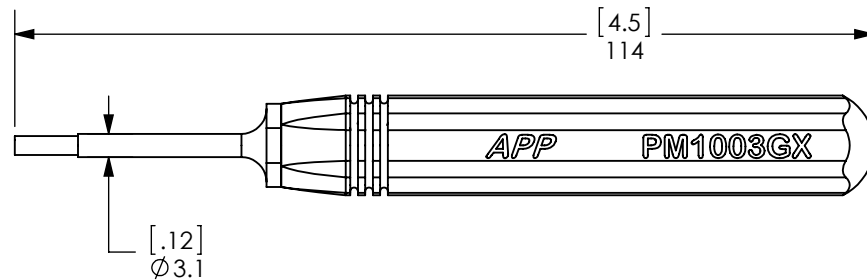
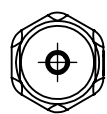
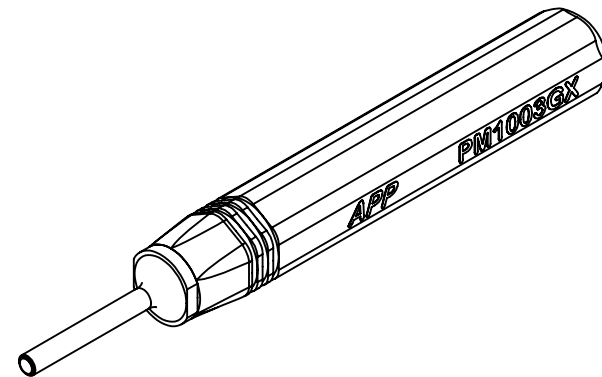


THE INFORMATION CONTAINED IN THIS DRAWING IS THE SOLE PROPERTY OF ANDERSON POWER PRODUCTS. ANY REPRODUCTION IN PART OR WHOLE WITHOUT THE WRITTEN PERMISSION OF ANDERSON POWER PRODUCTS IS PROHIBITED.

**Copyright 2015**

ANDERSON POWER PRODUCTS RESERVES THE RIGHT TO ALTER PRODUCT TYPES, THEIR TECHNICAL DATA, DIMENSION, STYLE AND ACCESSORIES WITHOUT PRIOR NOTIFICATION.



- NOTES:**
- REFER TO 1S6640 FOR USER INSTRUCTIONS
  - MATERIALS:**
    - HANDLE- ALUMINUM
    - MANDREL/TUBE - STAINLESS STEEL

DIMENSIONS ARE IN: MM [INCH]		<b>APPROVALS</b>		<p><b>ANDERSON POWER PRODUCTS</b></p> <p><b>TITLE</b></p> <p>CAT. NO. PM1003GX: POWERMOD CONTACT INSERTION PROOF TOOL</p>
UNLESS OTHERWISE STATED		<b>DRAWN</b>	2/26/2015	
TOLERANCES:		<b>CHECKED</b>	3/13/2015	
DECIMALS (INCH)	DECIMALS (MM)	ANGLES		
.XX ±.02	.X ±.5	±2°		
SURFACE FINISH:		<b>MFG APPRV</b>	3/13/2015	
MACHINED	3.2µ [128µin]	<b>CHB</b>		
MOLDED	1.6µ [64µin]	<b>QC APPRV</b>		
MATERIAL:		<b>ASF</b>	3/16/2015	
SEE NOTES		<b>ENG APPRV</b>		
FINISH:		<b>CLY</b>	3/16/2015	
		<b>SIZE</b>	<b>DWG NO.</b>	<b>REV.</b>
		A	115432S1	0
		<b>SCALE</b>	<b>CADFILE</b>	<b>SHEET</b>
		NONE	04474	1 OF 1

REV.	DESCRIPTION	APPRV	DATE
REVISIONS			