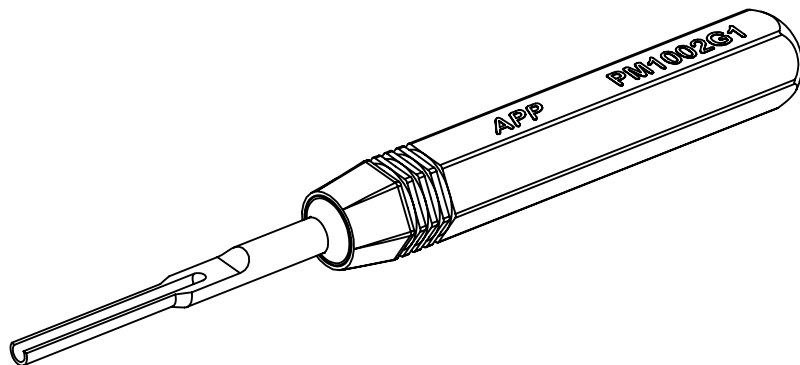


THE INFORMATION CONTAINED IN THIS DRAWING IS THE SOLE PROPERTY OF ANDERSON POWER PRODUCTS. ANY REPRODUCTION IN PART OR WHOLE WITHOUT THE WRITTEN PERMISSION OF ANDERSON POWER PRODUCTS IS PROHIBITED.

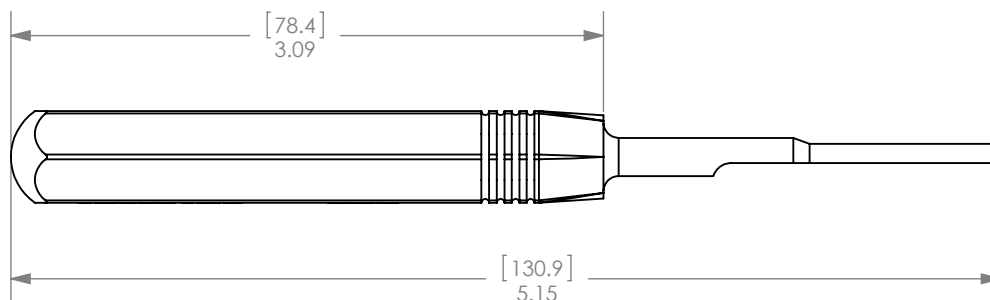
**Copyright 2015**

ANDERSON POWER PRODUCTS RESERVES THE RIGHT TO ALTER PRODUCT TYPES, THEIR TECHNICAL DATA, DIMENSION, STYLE AND ACCESSORIES WITHOUT PRIOR NOTIFICATION.



| PINS         |  |
|--------------|--|
| PM16P2024S30 |  |
| PM16P1620S30 |  |
| PM16P2024A30 |  |
| PM16P1620A30 |  |
| PM16P2024B30 |  |
| PM16P1620B30 |  |
| PM16P2024C30 |  |
| PM16P1620C30 |  |

| SOCKETS      |  |
|--------------|--|
| PM16S2024S32 |  |
| PM16S1620S32 |  |



**NOTES:**

1. MATERIAL: ANODIZED BLACK ALUMINIUM HANDLE, STAINLESS STEEL SHAFT
2. FOR USE ON POWERMOD, SBS75X SERIES, AND SPEC PAK CONNECTORS
3. FOR USE INSTRUCTIONS, SEE POWERMOD, SBS75X, AND SPEC PAK ASSEMBLY INSTRUCTIONS
4. SEE LIST OF CONTACTS TO BE USED WITH THIS TOOL

|                         |               |               |  |   |     |                                |   |
|-------------------------|---------------|---------------|--|---|-----|--------------------------------|---|
| DIMENSIONS ARE IN:      |               | INCH [MM]     |  | <i>APPROVALS</i>  |     | <b>ANDERSON POWER PRODUCTS</b> |   |
| UNLESS OTHERWISE STATED |               |               |  | DRAWN   | BCS | 7/7/2015                       | <b>TITLE</b><br>POWERMOD CONTACT INSERTION TOOL - CAT. NO. PM1002G1 |
| TOLERANCES:             |               |               |  | CHECKED   | CMS | 7/7/2015                       |   |
| DECIMALS (INCH)         | DECIMALS (MM) | ANGLES        |  | MFG APPRV   | CHB | 7/7/2015                       |   |
| .XX ± .02               | .X ± .5       | ±2°           |  | QC APPRV  | ASF | 7/7/2015                       |   |
| SURFACE FINISH:         |               |               |  | ENG APPRV   | CLY | 7/7/2015                       | SIZE  |
| MACHINED                |               | 128µin [3.2µ] |  | -   |     | A                              | DWG NO.   |
| MOLDED                  |               | 64µin [1.6µ]  |  | -   |     | A                              | 115451S1  |
| MATERIAL:               |               |               |  | -   |     |                                | REV.  |
| SEE NOTES               |               |               |  | -   |     |                                | 0   |
| FINISH:                 |               |               |  | -   |     |                                | SCALE   |
| -                       |               |               |  | -   |     |                                | NONE  |
| 3rd ANGLE PROJECTION    |               |               |  | -CAD GENERATED DRAWING-<br>DO NOT MANUALLY UPDATE<br>DO NOT SCALE |     |                                | CADFILE   |
| -                       |               |               |  | -   |     |                                | 04580   |
| -                       |               |               |  | -   |     |                                | SHEET   |
| -                       |               |               |  | -   |     |                                | 1 OF 1  |