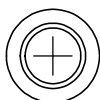
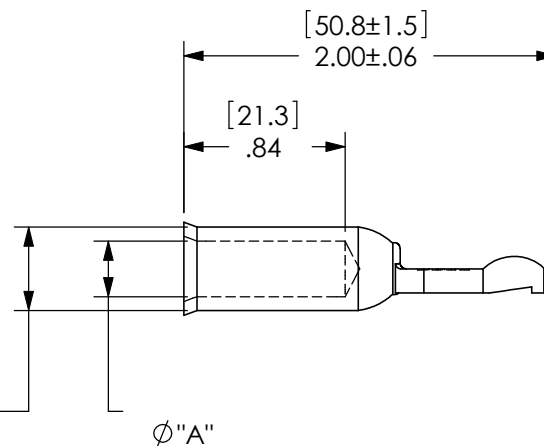
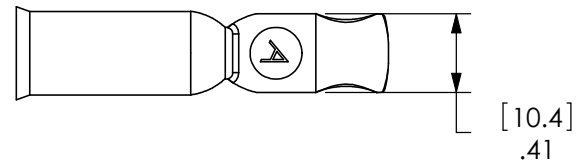
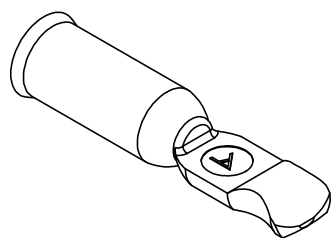


THE INFORMATION CONTAINED IN THIS DRAWING IS THE SOLE PROPERTY OF ANDERSON POWER PRODUCTS. ANY REPRODUCTION IN PART OR WHOLE WITHOUT THE WRITTEN PERMISSION OF ANDERSON POWER PRODUCTS IS PROHIBITED.

Copyright 2008

ANDERSON POWER PRODUCTS RESERVES THE RIGHT TO ALTER PRODUCT TYPES, THEIR TECHNICAL DATA, DIMENSION, STYLE AND ACCESSORIES WITHOUT PRIOR NOTIFICATION.



CAT. NO.	WIRE SIZE	"A"	
		INCH	MM
1319	#2 AWG	0.34	8.6
1319G4	#4 AWG	0.29	7.4
1319G6	#6 AWG	0.22	5.6

DIMENSIONS ARE IN:		INCH[MM]	APPROVALS		 ANDERSON POWER PRODUCTS TITLE PP120 CONTACT		
UNLESS OTHERWISE STATED			DRAWN	CMS 6/21/99			
TOLERANCES:			CHECKED	DJD 6/21/99			
DECIMALS (INCH)	DECIMALS (MM)	ANGLES	MFG APP	CHB 6/21/99			
.XX ±.02	.X ±.5	±2°	QC APP	DJM 6/22/99			
SURFACE FINISH:			ENG APP	UFN 6/22/99	SIZE	DWG NO.	REV.
MACHINED	128 [3.2] ✓		MATERIAL: COPPER ALLOY		A/A4	114156S1	1
MOLDED	64 [1.6] ✓		FINISH: SILVER PLATE		NONE	01054	
3rd ANGLE PROJECTION			CAD GENERATED DRAWING - DO NOT MANUALLY UPDATE DO NOT SCALE		SCALE	CADFILE	SHEET
					NONE	01054	1 OF 1

1	ECRN 14358 - REVISE, REDRAW, CONSOLIDATE	AMS	12/16/08
REV.	DESCRIPTION OF CHANGES	APPROVED	DATE