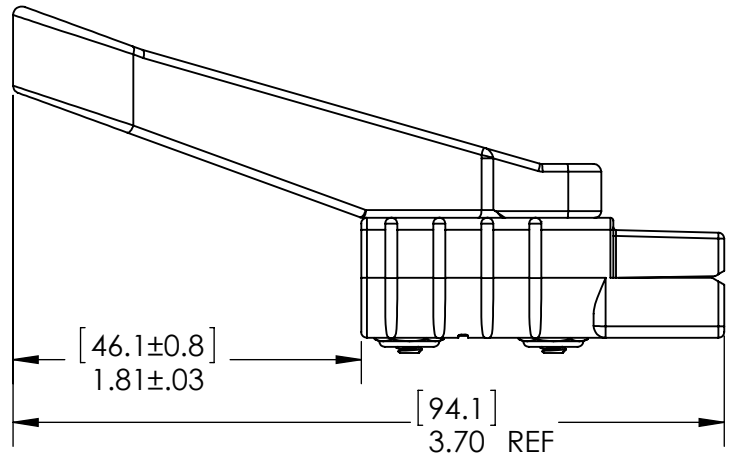
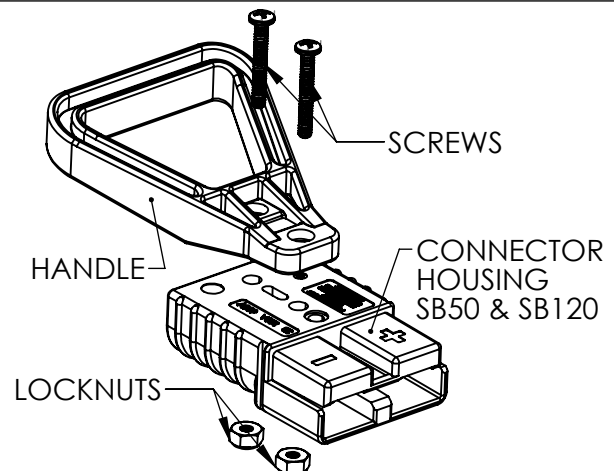


THE INFORMATION CONTAINED IN THIS DRAWING IS THE SOLE PROPERTY OF ANDERSON POWER PRODUCTS. ANY REPRODUCTION IN PART OR WHOLE WITHOUT THE WRITTEN PERMISSION OF ANDERSON POWER PRODUCTS IS PROHIBITED.

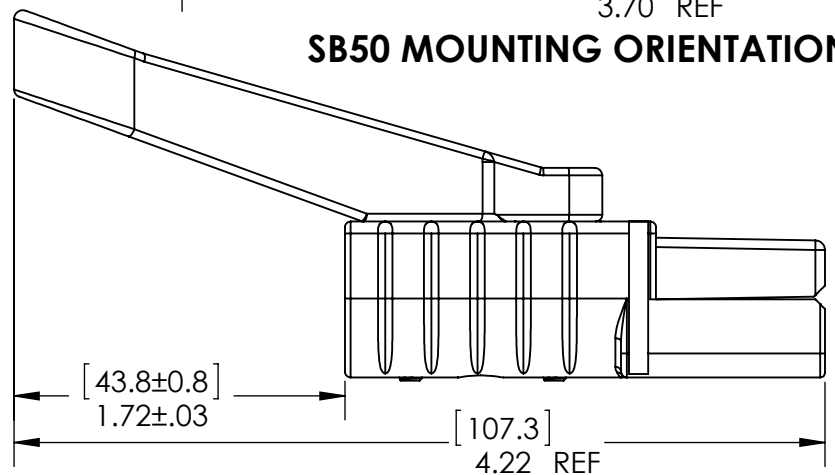
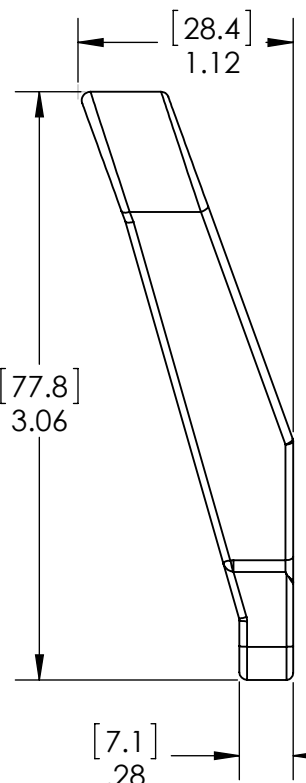
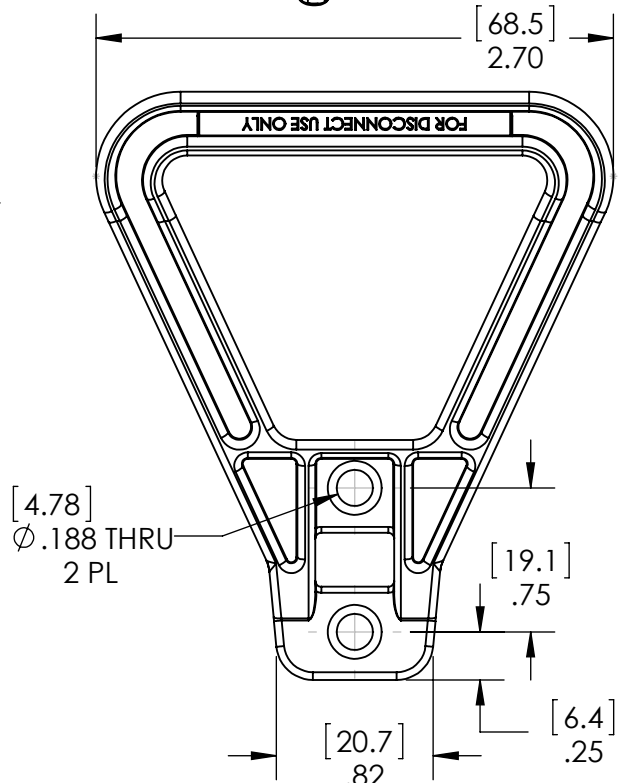
Copyright 2012

ANDERSON POWER PRODUCTS RESERVES THE RIGHT TO ALTER PRODUCT TYPES, THEIR TECHNICAL DATA, DIMENSION, STYLE AND ACCESSORIES WITHOUT PRIOR NOTIFICATION.

- NOTES:**
- CONNECTORS SOLD SEPARATELY
HARDWARE INCLUDED FOR SB50 & SB120
2 LOCKNUTS
2 SCREWS FOR SB50
2 SCREWS FOR SB120
 - MATERIALS:**
HANDLE - POLYCARBONATE
SCREWS - STEEL ZINC-PLATED
NUTS - ZINC PLATED STEEL
W/ PLASTIC INSERT



SB50 MOUNTING ORIENTATION



SB120 MOUNTING ORIENTATION

KIT P/N: 997G1

DIMENSIONS ARE IN:		INCH [MM]		<i>APPROVALS</i>		ANDERSON POWER PRODUCTS	
UNLESS OTHERWISE STATED				DRAWN	TWE	7/10/2012	
TOLERANCES:				CHECKED	NTS	7/10/2012	
DECIMALS (INCH)		DECIMALS (MM)		MFG APPRV		TITLE	
.XX ±.02		.X ±.5		CHB		SB50 & SB120 GRAY "A" FRAME HANDLE OUTLINE	
SURFACE FINISH:				QC APPRV		REV.	
MACHINED		128µin [3.2µ]		UFN		0	
MOLDED		64µin [1.6µ]		ENG APPRV		SIZE	
MATERIAL: SEE NOTES				BD		A	
FINISH:				7/11/2012		DWG NO.	
						115175S1	
				-CAD GENERATED DRAWING- DO NOT MANUALLY UPDATE DO NOT SCALE		SCALE	
						NONE	
						CADFILE	
						03762	
						SHEET	
						1 OF 1	

REV.	DESCRIPTION	APPRV	DATE
REVISIONS			