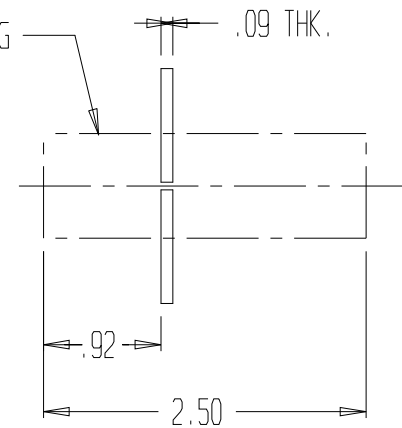


.16 DIA. 4 PLACES

.88 HIGH X 1.88 WIDE PANEL CUTOUT

SB120 HOUSING



CAT. NO. 1467G1

ANDERSON POWER PRODUCTS RESERVES THE RIGHT TO ALTER PRODUCT TYPES AND THEIR TECHNICAL DATA, DIMENSIONS, STYLE AND ACCESSORIES WITHOUT PRIOR NOTIFICATION. UTILIZATION OF THIS DRAWING FOR ANY OTHER PURPOSE OTHER THAN GENERAL INFORMATION IS NOT PERMITTED WITHOUT PRIOR CONSENT.

REVISIONS

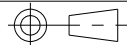
MATERIAL SPEC

.09 THICK ALUMINUM

FINISH

USED ON

3RD ANGLE PROJECTION



UNLESS OTHERWISE SPECIFIED

TOL: +/- .02

DRAWN BY
DJD 7/9/04

CHECKED BY

MFG APP.

Q.C. APP.

ENG APP.

SCALE: NONE

CAD DRAWING NO.
02089

TITLE

OUTLINE
SB120 PANEL MOUNT CLAMPS



DISC NO.

DRAWING NO.
B01723S3

PROD. LINE SHEET 1 OF 1

REV.
0