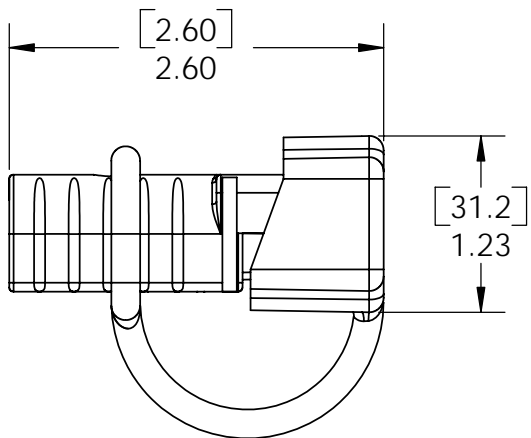
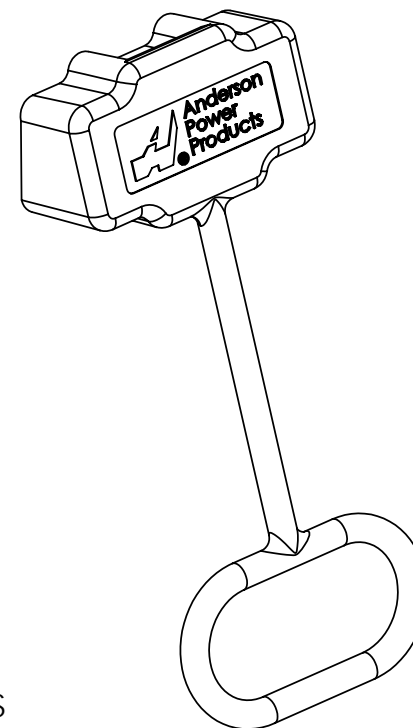
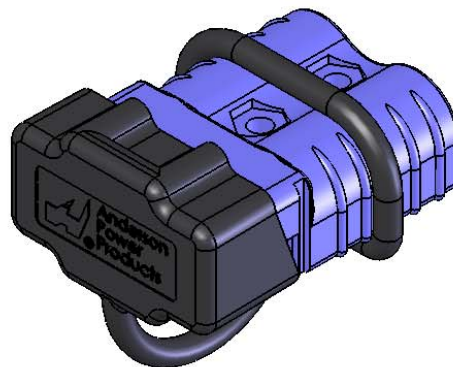
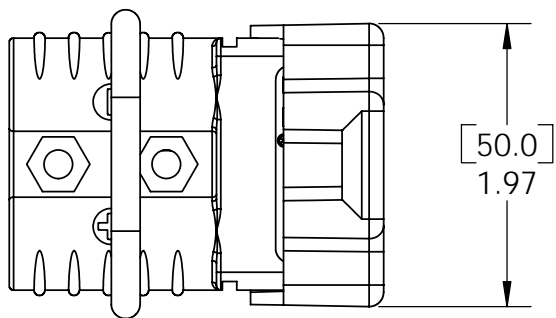


THE INFORMATION CONTAINED IN THIS DRAWING IS THE SOLE PROPERTY OF ANDERSON POWER PRODUCTS. ANY REPRODUCTION IN PART OR WHOLE WITHOUT THE WRITTEN PERMISSION OF ANDERSON POWER PRODUCTS IS PROHIBITED.

Copyright 2005

ANDERSON POWER PRODUCTS RESERVES THE RIGHT TO ALTER PRODUCT TYPES, THEIR TECHNICAL DATA, DIMENSION, STYLE AND ACCESSORIES WITHOUT PRIOR NOTIFICATION.



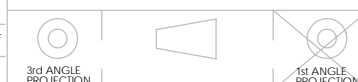
NOTES:

1. CONNECTORS SOLD SEPARATELY
2. DUST COVER DOES NOT PROVIDE HERMETIC SEAL
3. MAY BE USED WITH CABLE CLAMPS
4. CAT. NO. 134G4

DIMENSIONS ARE IN:	INCH[MM]	MM[INCH]	APPROVALS	
UNLESS OTHERWISE STATED			DRAWN	AMS 9/26/05
TOLERANCES:			CHECKED	DJD 9/27/05
DECIMALS (INCH)	DECIMALS (MM)	ANGLES	MFG APP	CHB 9/27/05
XX ±.02	X ±.5	±2°	QC APP	JJA 9/27/05
SURFACE FINISH:			ENG APP	DAM 9/26/05
MACHINED	128 [3.2]			
MOLDED	64 [1.6]			
MATERIAL:			BLACK ELASTOMER	
FINISH:			AS MOLDED	

ANDERSON POWER PRODUCTS		
TITLE		
SALES OUTLINE SB120 DUST COVER WITH RETAINING STRAP		
SIZE	DWG NO.	REV.
A/A4	B02019S1	0
SCALE	CADFILE	SHEET
NONE	02372	1 OF 1

-CAD GENERATED DRAWING-
DO NOT MANUALLY UPDATE
DO NOT SCALE



REV.	DESCRIPTION OF CHANGES	APPROVED	DATE