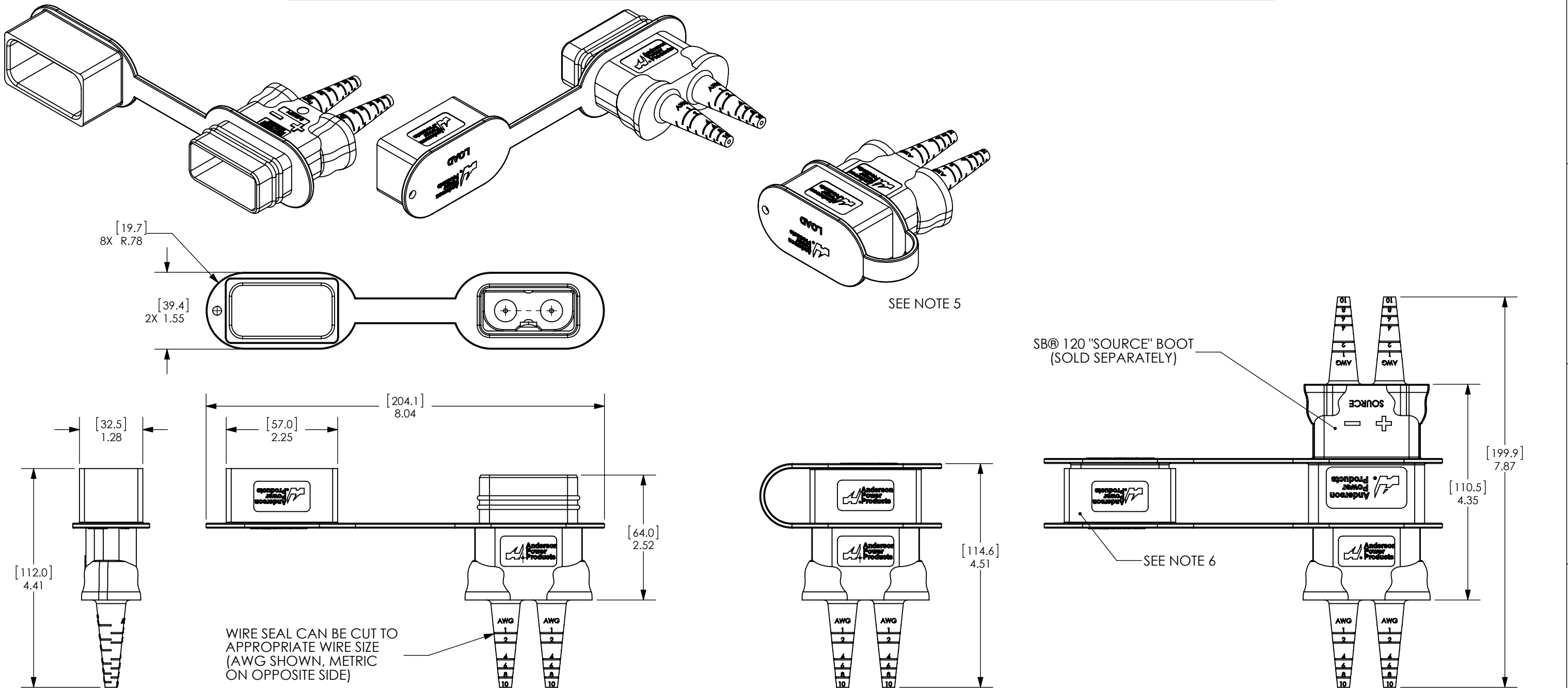


THE INFORMATION CONTAINED IN THIS DRAWING IS THE SOLE PROPERTY OF ANDERSON POWER PRODUCTS. ANY REPRODUCTION IN PART OR WHOLE WITHOUT THE WRITTEN PERMISSION OF ANDERSON POWER PRODUCTS IS PROHIBITED.

Copyright 2013

ANDERSON POWER PRODUCTS RESERVES THE RIGHT TO ALTER PRODUCT TYPES, THEIR TECHNICAL DATA, DIMENSION, STYLE AND ACCESSORIES WITHOUT PRIOR NOTIFICATION.



WIRE SEAL CAN BE CUT TO APPROPRIATE WIRE SIZE (AWG SHOWN, METRIC ON OPPOSITE SIDE)

COVER CLOSED

MATED PAIR

- NOTES:
1. MATERIAL - TPE
 2. INTENDED FOR USE WITH SB@ 120 CONNECTOR SERIES (SOLD SEPARATELY)
 3. REFER TO THE FOLLOWING ASSEMBLY INSTRUCTIONS: 1S1030A FOR SB@ CONNECTOR SERIES 1S6596 FOR SB@ ENVIRONMENTAL BOOTS
 4. "LOAD" BOOT INTENDED FOR USE WITH CONNECTOR ATTACHED TO THE ELECTRICAL LOAD
 5. IN THE UNMATED CONDITION, SECURE THE COVER TO THE BOOT FOR ENVIRONMENTAL PROTECTION
 6. IN THE MATED CONDITION, SECURE COVERS TOGETHER TO PREVENT PARTICULATES FROM GATHERING IN THE COVERS

REV.	DESCRIPTION	APPRV	DATE
1	ECRN 15518A	NTS	12/3/2013
REVISIONS			

DIMENSIONS ARE IN:		APPROVALS	
INCH	[MM]	DRAWN	LLD 5/1/2013
UNLESS OTHERWISE STATED		CHECKED	CMS 5/6/2013
TOLERANCES:		MFG APPRV	CHB 5/6/2013
DECIMALS (INCH)	DECIMALS (MM)	QC APPRV	UFN 10/14/2013
.XX ± .02	.X ± .5	ENG APPRV	BD 10/14/2013
SURFACE FINISH:		FINISH:	
MACHINED	128µin [3.2µ]	SEE NOTE #1	
MOLDED	64µin [1.6µ]		

ANDERSON POWER PRODUCTS

TITLE
OUTLINE DRAWING
SB@120 ENVIRONMENTAL
BOOT WITH COVER
LOAD BOOT
P/N: 3-6035P1

SIZE B **DWG NO.** B02171S1 **REV.** 1

SCALE NONE **CADFILE** 03940 **SHEET** 1 OF 1

-CAD GENERATED DRAWING-
DO NOT MANUALLY UPDATE
DO NOT SCALE

