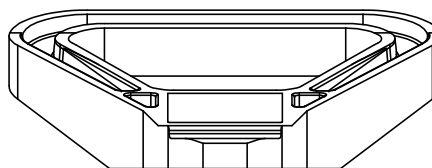
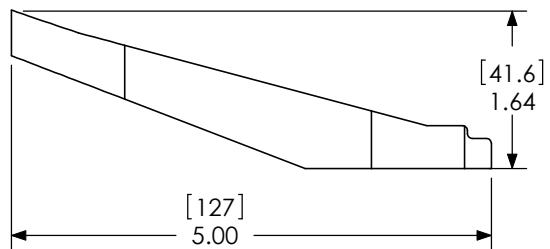
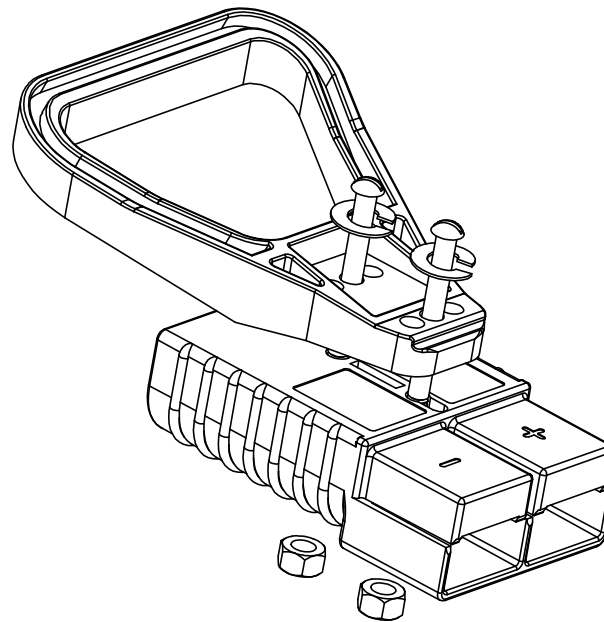
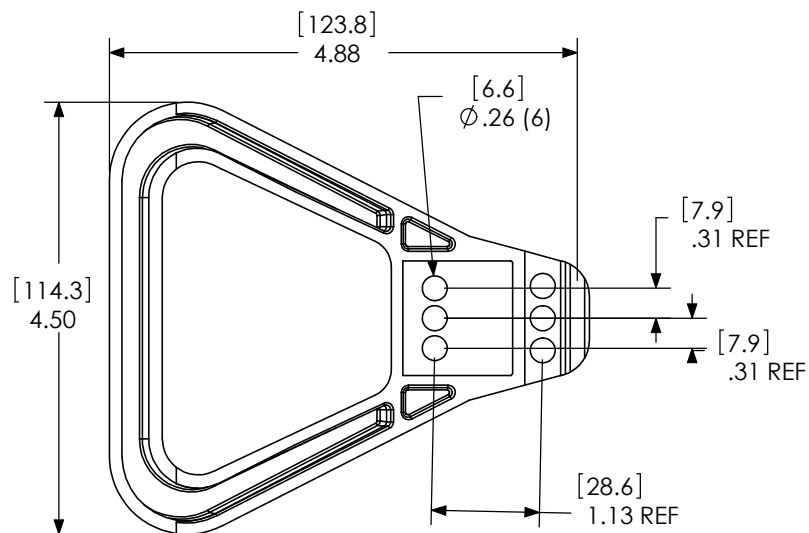


THE INFORMATION CONTAINED IN THIS DRAWING IS THE SOLE PROPERTY OF ANDERSON POWER PRODUCTS. ANY REPRODUCTION IN PART OR WHOLE WITHOUT THE WRITTEN PERMISSION OF ANDERSON POWER PRODUCTS IS PROHIBITED.

DATE  
BY:  
REV. DESCRIPTION OF CHANGES



CAT. NO.	SERIES	COLOR
995G1	SB175	GRAY
995G3	SB175	RED
995G2	SB350	GRAY
995G4	SB350	RED

NOTES:

1. A HARDWARE KIT COMPRISED OF FOUR EACH: SCREWS, LOCK WASHERS AND NUTS IS INCLUDED WITH THE HANDLE.
2. THE HANDLE IS THE SAME SIZE FOR BOTH THE SB175 AND SB350 CONNECTORS, HOWEVER THE HARDWARE KIT IS DIFFERENT.
3. HANDLE MATERIAL IS UL94-V0 POLYCARBONATE

ITEM NO.	PART OR IDENTIFYING NO.	NOMENCLATURE OR DESCRIPTION	MATERIAL SPECIFICATION	QTY REQD
COPYRIGHT 1999 ANDERSON POWER PRODUCTS. ALL RIGHTS RESERVED. UNAUTHORIZED REPRODUCTION HEREBY PROHIBITED.				
DIMENSIONS ARE IN INCHES DIMENSIONS IN PARENTHESES [] ARE IN MILLIMETERS		CAD GENERATED DRAWING. DO NOT MANUALLY UPDATE		<b>ANDERSON POWER PRODUCTS</b>  <b>SB "A" FRAME HANDLES</b>  SIZE A SPECIFICATION: <b>114212S2</b> REV. <b>0</b>
TOLERANCES ARE: 2PL- ±.02 [±.5]		APPROVALS	DATE	
MATERIALS: SEE NOTES		DRAWN CMS	8/29/01	
FINISH		CHECKED DJD	8/29/01	
NEXT ASSY USED ON		RESP ENG UFN	8/29/01	
APPLICATION		MFG ENG CHB	8/30/01	SCALE NONE
DO NOT SCALE DRAWING		QUAL ENG RPO	8/29/01	CADFILES/01481
				SHEET 1 OF 1