

8 7 6 5 4 3 2 1

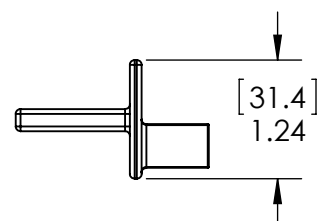
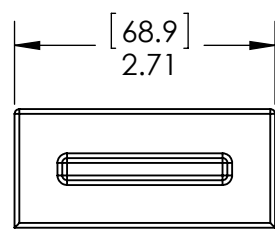
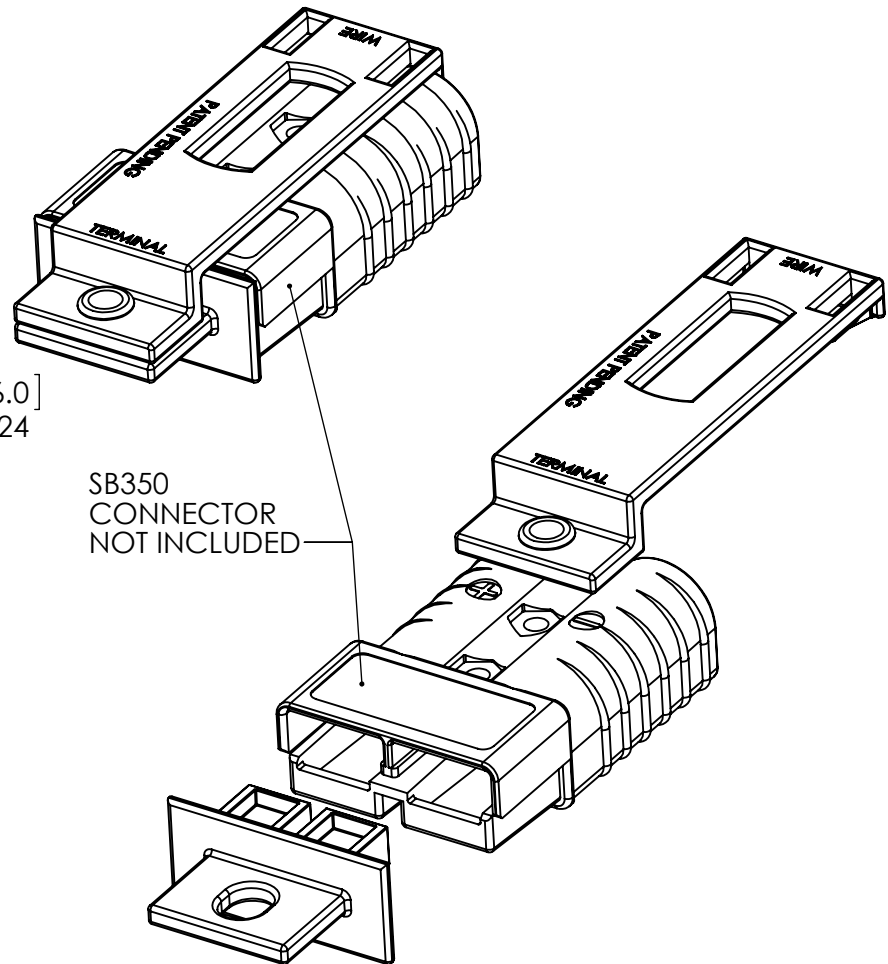
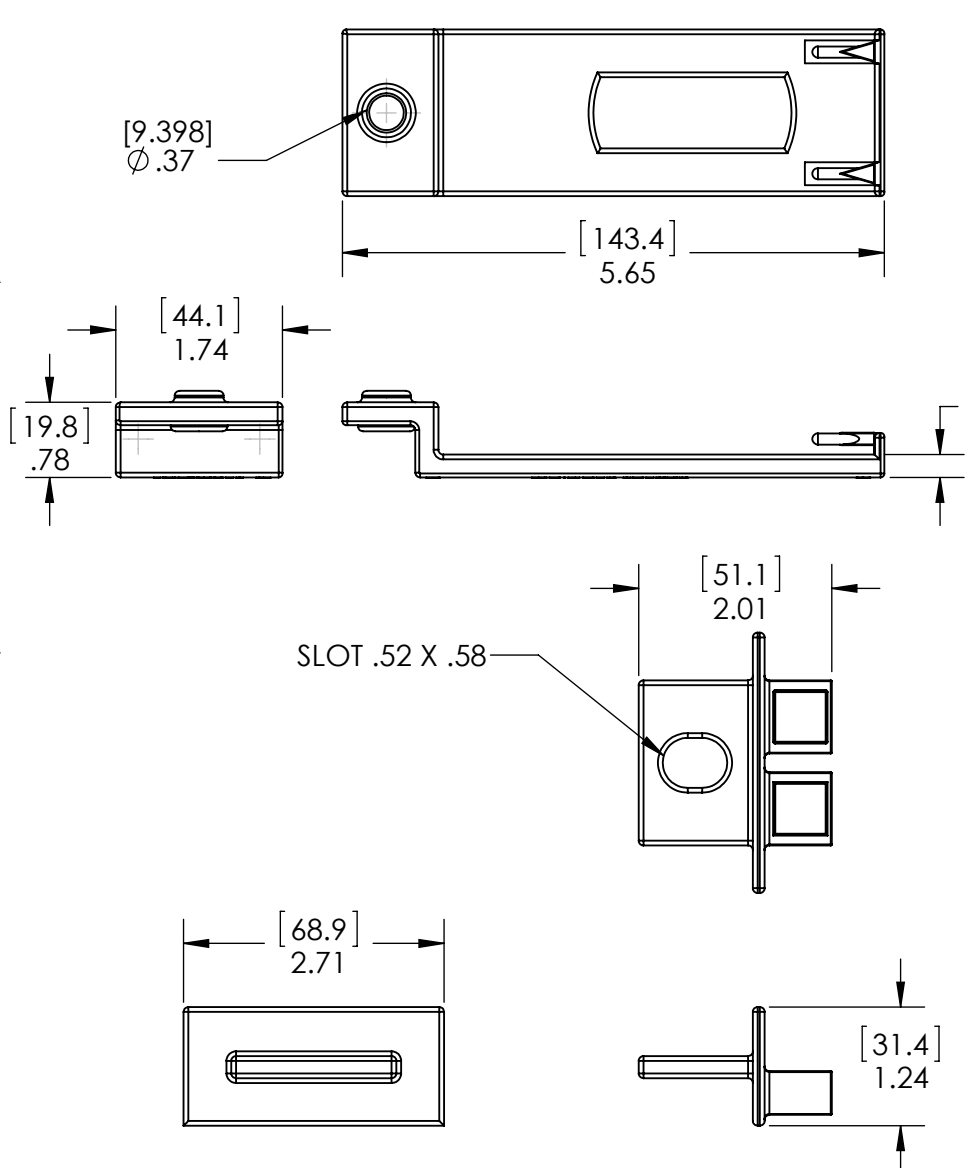
THE INFORMATION CONTAINED IN THIS DRAWING IS THE SOLE PROPERTY OF ANDERSON POWER PRODUCTS. ANY REPRODUCTION IN PART OR WHOLE WITHOUT THE WRITTEN PERMISSION OF ANDERSON POWER PRODUCTS IS PROHIBITED.

Copyright 2012

ANDERSON POWER PRODUCTS RESERVES THE RIGHT TO ALTER PRODUCT TYPES, THEIR TECHNICAL DATA, DIMENSION, STYLE AND ACCESSORIES WITHOUT PRIOR NOTIFICATION.

D
C
B
A

D
C
B
A



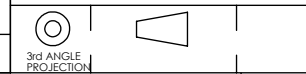
DIMENSIONS ARE IN:	INCH [MM]	<i>APPROVALS</i>	
UNLESS OTHERWISE STATED		DRAWN	TWE 6/29/2012
TOLERANCES:		CHECKED	LLD 6/29/2012
DECIMALS (INCH)	DECIMALS (MM)	ANGLES	±2°
.XX ±.02	.X ±.5		
SURFACE FINISH:		MFG APPRV	CHB 6/29/2012
MACHINED	128µin [3.2µ]	QC APPRV	HN 6/29/2012
MOLDED	64µin [1.6µ]	ENG APPRV	NTS 6/29/2012
MATERIAL: NYLON			
FINISH:			

ANDERSON POWER PRODUCTS

TITLE
SB350 LOCKOUT DEVICE
 P/N: SB350-LOCKOUT
 P/N: GA-350

SIZE	DWG NO.	REV.
A	115177S1	0
SCALE	CADFILE	SHEET
NONE	03764	1 OF 1

REV.	DESCRIPTION	APPRV	DATE
REVISIONS			



-CAD GENERATED DRAWING-
 DO NOT MANUALLY UPDATE
 DO NOT SCALE

8 7 6 5 4 3 2 1