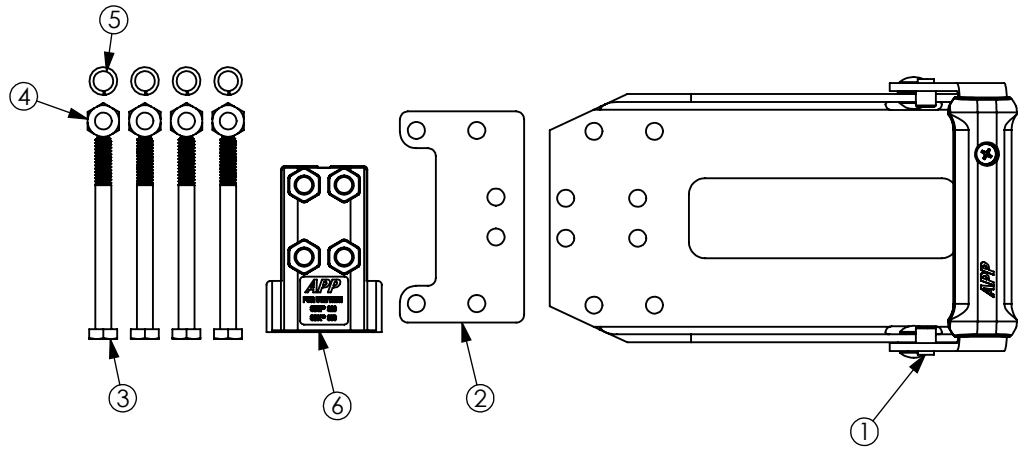


8 7 6 5 4 3 2 1

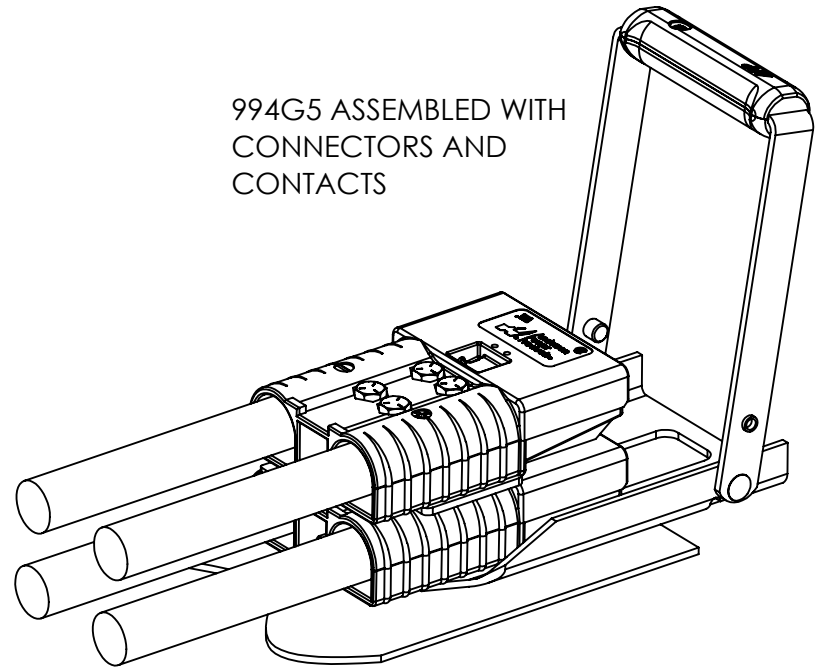
THE INFORMATION CONTAINED IN THIS DRAWING IS THE SOLE PROPERTY OF ANDERSON POWER PRODUCTS. ANY REPRODUCTION IN PART OR WHOLE WITHOUT THE WRITTEN PERMISSION OF ANDERSON POWER PRODUCTS IS PROHIBITED.

Copyright 2020

ANDERSON POWER PRODUCTS RESERVES THE RIGHT TO ALTER PRODUCT TYPES, THEIR TECHNICAL DATA, DIMENSION, STYLE AND ACCESSORIES WITHOUT PRIOR NOTIFICATION.



994G5 ASSEMBLED WITH CONNECTORS AND CONTACTS



ITEM	QTY.	DESCRIPTION	MATERIAL
1	1	MANUAL RELEASE BRACKET AND HANDLE ASSY TRUCK/CHARGER- DOUBLE STACK	STEEL BRKT, PBT GRIPS
2	1	DOUBLE STACK MIDDLE PLATE EBC/ABC 320, SBE/SBX 350	STEEL
3	4	HEX HEAD BOLT- 1/4-20 X 3.0	STEEL, Zn PLATED
4	4	1/4-20 HEX NUT (THIN)	STEEL, Zn PLATED
5	4	1/4 INCH LOCKWASHER, STEEL	STEEL, Zn PLATED
6	1	SPACER FOR DOUBLE STACKING SBE320/SBX350	PBT, BLACK

NOTES:

1. KIT DOES NOT INCLUDE HOUSINGS OR CONTACTS
2. FOR USE WITH SBE320 AND SBX350 CONNECTORS ONLY
3. ASSEMBLE PER 1S6827

DIMENSIONS ARE IN:	MM [INCH]	APPROVALS		<p>ANDERSON POWER PRODUCTS</p> <p>TITLE</p> <p>CAT. NO. 994G5: MANUAL RELEASE DOUBLE STACK SBE320/SBX350 KIT-CHARGER/T</p>
UNLESS OTHERWISE STATED		DRAWN	CMS 8/31/2020	
TOLERANCES:		CHECKED	CPD 12/8/2020	
DECIMALS (INCH)	DECIMALS (MM)	ANGLES		
.XX ±.02	.X ±.5	±2°		
SURFACE FINISH:		PM APPRV	CD 12/8/2020	
MACHINED	3.2µ [128µin]	QC APPRV	UFN 12/9/2020	
MOLDED	1.6µ [64µin]	ENG APPRV	JYL 12/8/2020	
MATERIAL: SEE TABLE		SIZE	A	DWG NO.
FINISH:				116014S2
		REV.		1
		SCALE	NONE	CADFILE
				05556
		SHEET		1 OF 2

REV.	DESCRIPTION	APPRV	DATE
1	ECN 2021-0014- ADD VIEW SHT. 2	CMS	3/22/2021
REVISIONS			

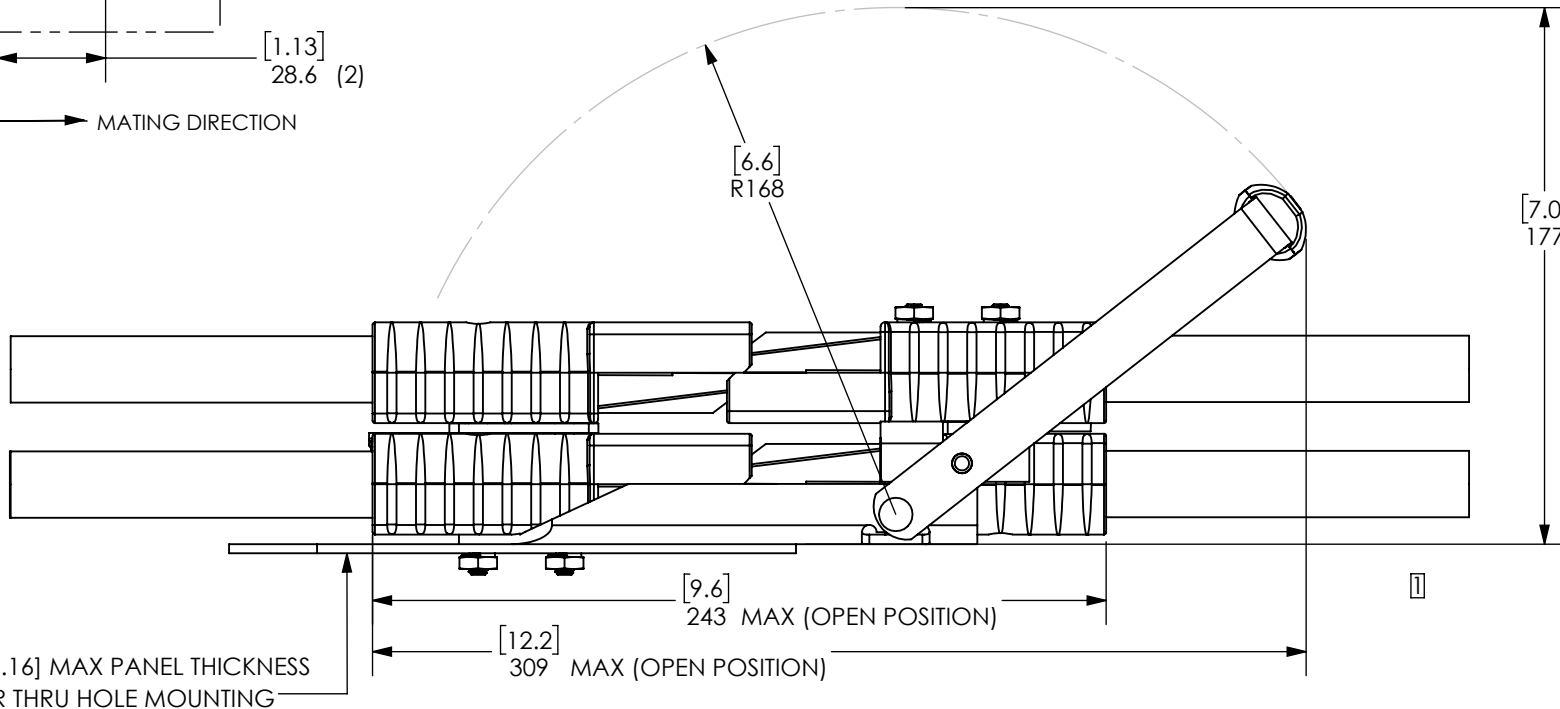
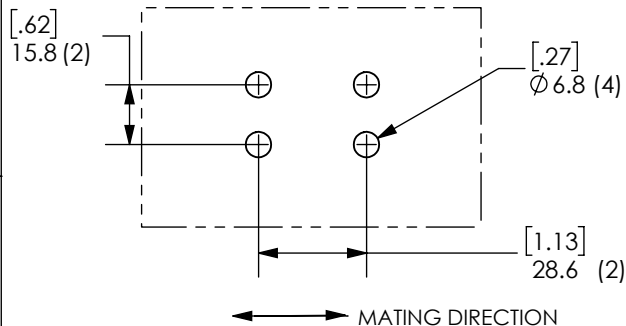
8 7 6 5 4 3 2 1

THE INFORMATION CONTAINED IN THIS DRAWING IS THE SOLE PROPERTY OF ANDERSON POWER PRODUCTS. ANY REPRODUCTION IN PART OR WHOLE WITHOUT THE WRITTEN PERMISSION OF ANDERSON POWER PRODUCTS IS PROHIBITED.

Copyright 2021

ANDERSON POWER PRODUCTS RESERVES THE RIGHT TO ALTER PRODUCT TYPES, THEIR TECHNICAL DATA, DIMENSION, STYLE AND ACCESSORIES WITHOUT PRIOR NOTIFICATION.

HOLE PATTERN FOR TRUCK/CHARGER
SBX 350/SBE 320



DIMENSIONS ARE IN: MM [INCH]		APPROVALS		ANDERSON POWER PRODUCTS	
UNLESS OTHERWISE STATED		DRAWN		 TITLE CAT. NO. 994G5: MANUAL RELEASE DOUBLE STACK SBE320/SBX350 KIT-CHARGER/T	
TOLERANCES:		CMS	8/31/2020		
DECIMALS (INCH)	DECIMALS (MM)	CHECKED			
.XX ±.02	.X ±.5	CPD	12/8/2020		
SURFACE FINISH:		PM APPRV		SIZE A	
MACHINED	3.2µ [128µin]	CD	12/8/2020		
MOLDED	1.6µ [64µin]	QC APPRV			
MATERIAL: SEE TABLE		UFN	12/9/2020	DWG NO. 116014S2	
FINISH:		ENG APPRV		REV. 1	
		JYL	12/8/2020	SCALE NONE	
 3rd ANGLE PROJECTION		-CAD GENERATED DRAWING- DO NOT MANUALLY UPDATE DO NOT SCALE		CADFILE 05556	
				SHEET 2 OF 2	