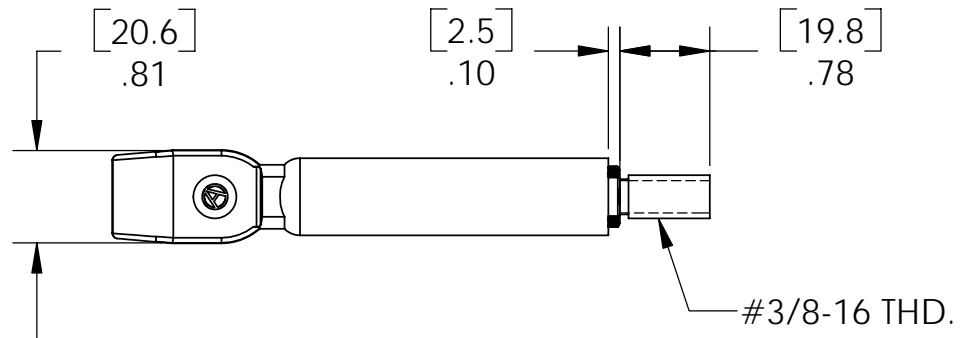


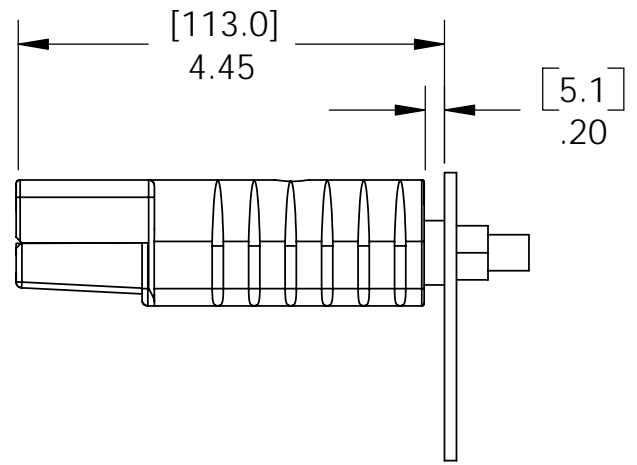
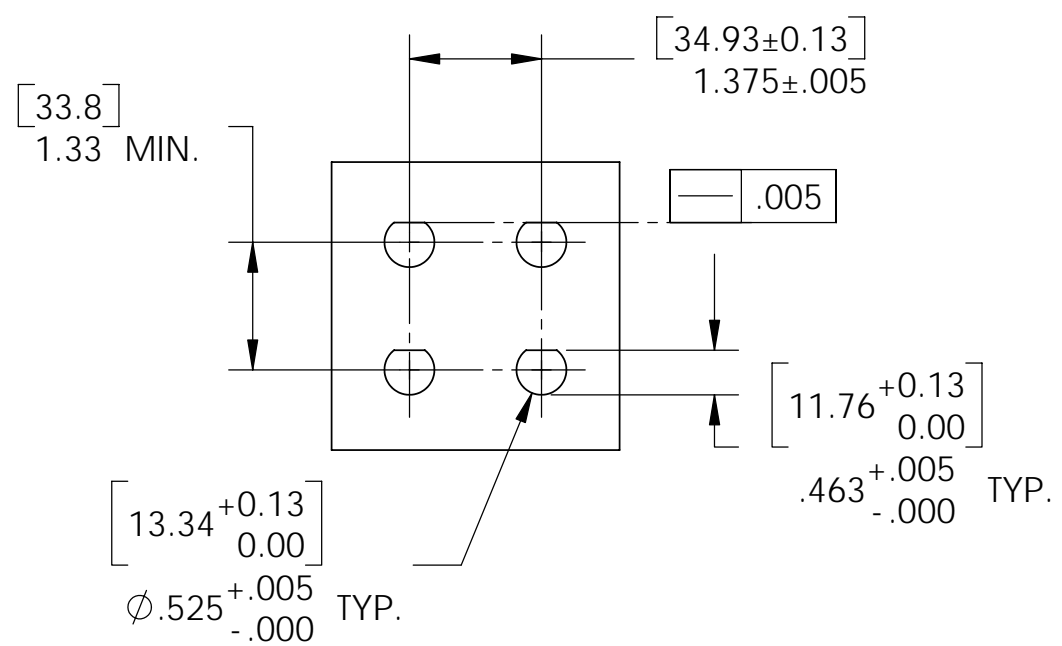
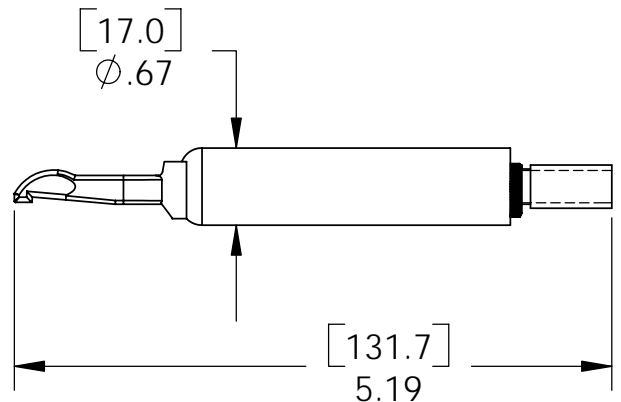
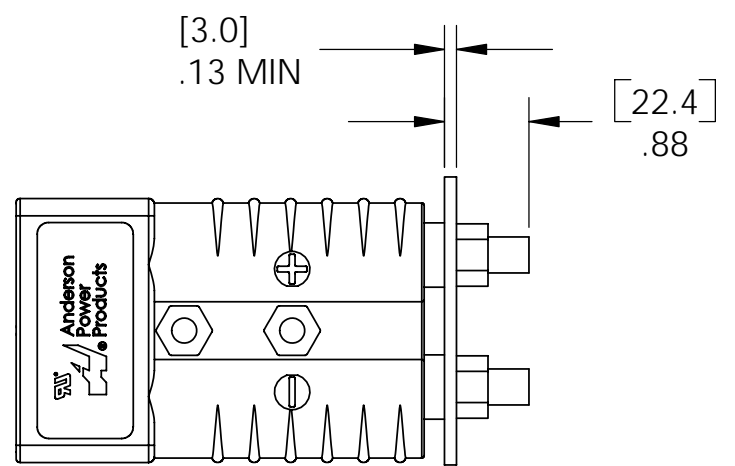
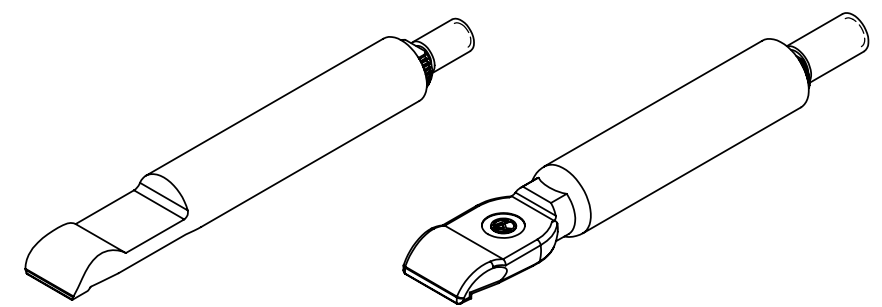
THE INFORMATION CONTAINED IN THIS DRAWING IS THE SOLE PROPERTY OF ANDERSON POWER PRODUCTS. ANY REPRODUCTION IN PART OR WHOLE WITHOUT THE WRITTEN PERMISSION OF ANDERSON POWER PRODUCTS IS PROHIBITED.

Copyright 2004

ANDERSON POWER PRODUCTS RESERVES THE RIGHT TO ALTER PRODUCT TYPES, THEIR TECHNICAL DATA, DIMENSION, STYLE AND ACCESSORIES WITHOUT PRIOR NOTIFICATION.



ALTERNATE ACCEPTABLE GEOMETRIES



COMPONENTS FOR BUS BAR KIT
CATALOG NO. 114534G1

COMPONENT	QTY
SB350 HOUSING (YELLOW)	1
350A BUSBAR CONTACT	2
LOCK NUT	2

COMPONENTS FOR BUS BAR KIT
CATALOG NO. 114534G2

COMPONENT	QTY
SB350 HOUSING (GRAY)	1
350A BUSBAR CONTACT	2
LOCK NUT	2

NOTES:
1. TIGHTENING TORQUE = 120 IN-LBS
2. CONTACT MATERIAL = COPPER ALLOY
FINISH = SILVER PLATE
HOUSING MATERIAL = POLYCARBONATE

REV.	DESCRIPTION OF CHANGES	APPROVED	DATE
3	ECRN 14181 - UPDATE TO FORMED GEOMETRY	AMS	10/09/07
2	ECRN 13843 - MODIFY D-SHAPE TOLERANCES	AMP	6/6/05
1	ECRN 13780 - ADD GRAY HOUSING KIT, MODIFY TORQUE	AMP	2/2/05

DIMENSIONS ARE IN:	INCH[MM]	APPROVALS		<p>ANDERSON POWER PRODUCTS</p>
UNLESS OTHERWISE STATED		DRAWN	AMP 9/18/04	
TOLERANCES:		CHECKED	DJD 9/30/04	
DECIMALS (INCH)	DECIMALS (MM)	ANGLES		
.XX ± .02	.X ± .5	± 2°		TITLE
SURFACE FINISH:		MFG APP	DAM 9/30/04	350A BUS BAR ASSEMBLY OUTLINE
MACHINED	128 [3.2] ✓	QC APP	RPO 9/30/04	
MOLDED	64 [1.6] ✓	ENG APP	MAW 9/30/04	SIZE
MATERIAL: SEE NOTE 2				B/A3
FINISH: SEE NOTE 2				DWG NO.
		-CAD GENERATED DRAWING- DO NOT MANUALLY UPDATE DO NOT SCALE		B01998S1
				REV.
				3
				SCALE
				NONE
				CADFILE
				02143
				SHEET
				1 OF 1