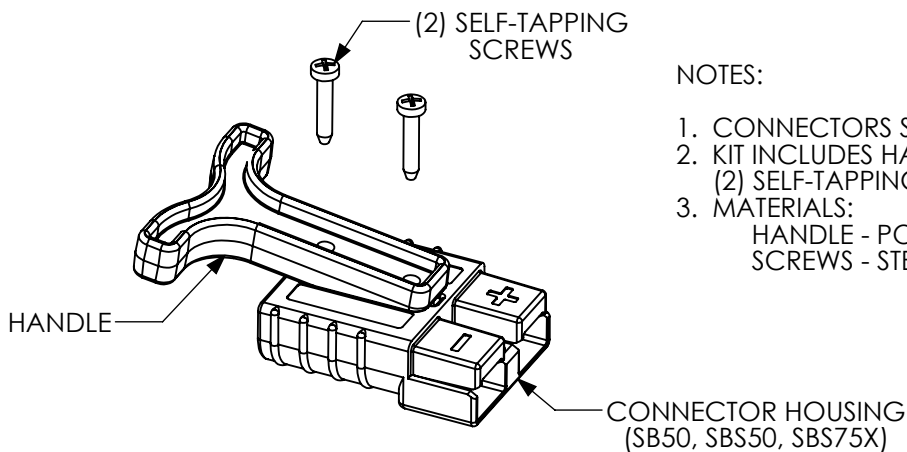


THE INFORMATION CONTAINED IN THIS DRAWING IS THE SOLE PROPERTY OF ANDERSON POWER PRODUCTS. ANY REPRODUCTION IN PART OR WHOLE WITHOUT THE WRITTEN PERMISSION OF ANDERSON POWER PRODUCTS IS PROHIBITED.

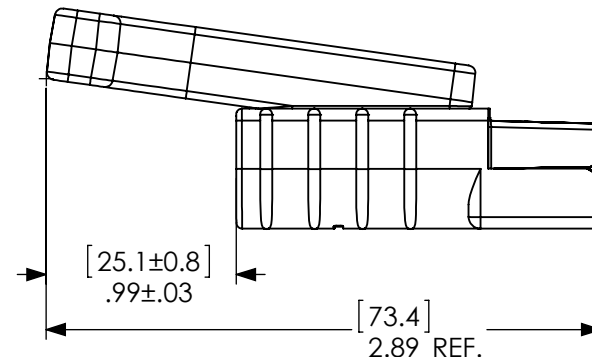
Copyright 2012

ANDERSON POWER PRODUCTS RESERVES THE RIGHT TO ALTER PRODUCT TYPES, THEIR TECHNICAL DATA, DIMENSION, STYLE AND ACCESSORIES WITHOUT PRIOR NOTIFICATION.

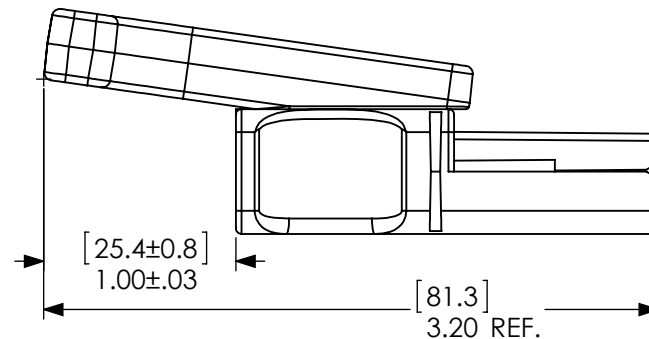
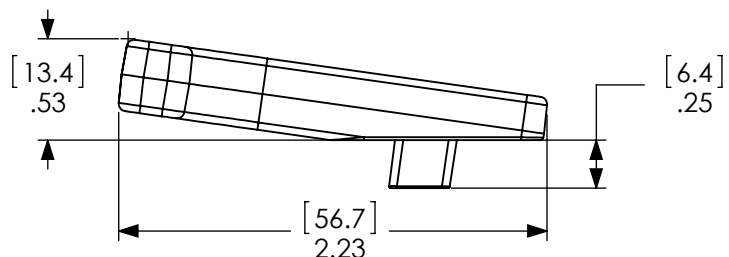


NOTES:

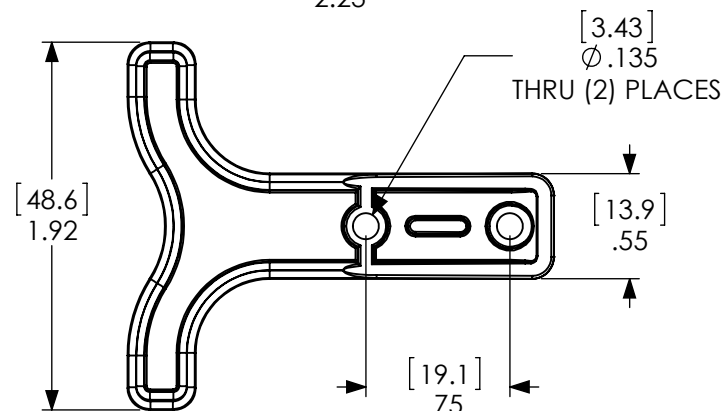
1. CONNECTORS SOLD SEPARATELY
2. KIT INCLUDES HANDLE AND (2) SELF-TAPPING SCREWS
3. MATERIALS:
HANDLE - POLYCARBONATE
SCREWS - STEEL, ZINC-PLATED



SB50 MOUNTING ORIENTATION



SBS50 & SBS75X MOUNTING ORIENTATION



DIMENSIONS ARE IN:		INCH [MM]		<i>APPROVALS</i>		ANDERSON POWER PRODUCTS	
UNLESS OTHERWISE STATED				DRAWN	GN	6/3/1996	
TOLERANCES:				CHECKED	CMS	8/25/1997	
DECIMALS (INCH)	DECIMALS (MM)	ANGLES		MFG APPRV	KJ	8/25/1997	
.XX ±.02	.X ±.5	±2°		QC APPRV	DJM	8/26/1997	
SURFACE FINISH:				ENG APPRV	UFN	8/26/1997	
MACHINED		128µin [3.2µ]		TITLE			
MOLDED		64µin [1.6µ]		PLASTIC HANDLE FOR USE WITH SB50, SBS50, SBS75X CONNECTORS (CAT. NO. SB50-HDL-RED)			
MATERIAL: SEE NOTES				SIZE	A	DWG NO.	113923S1
FINISH: SEE NOTES				SCALE	NONE	CADFILE	01422
3rd ANGLE PROJECTION				-CAD GENERATED DRAWING- DO NOT MANUALLY UPDATE DO NOT SCALE		SHEET	1 OF 1
REV.	DESCRIPTION	APPRV	DATE	REVISIONS		REV.	5

5	ECRN-15038 REVISE AND REDRAW	TWE	1/13/12
4	ECRN-14347 REVISE AND REDRAW	AMS	11/17//08
REV.	DESCRIPTION	APPRV	DATE
REVISIONS			