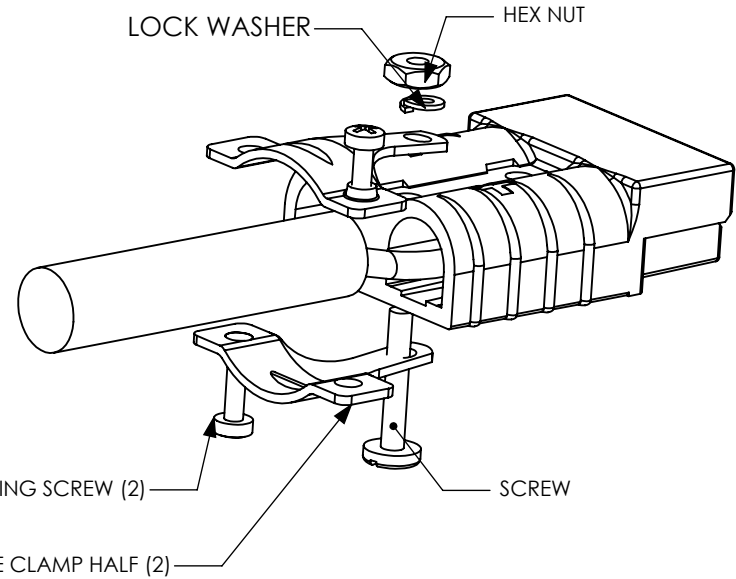
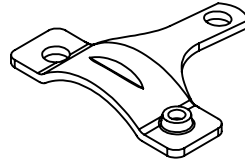
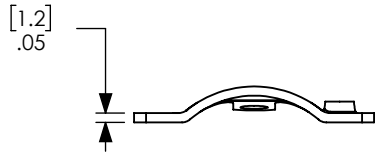
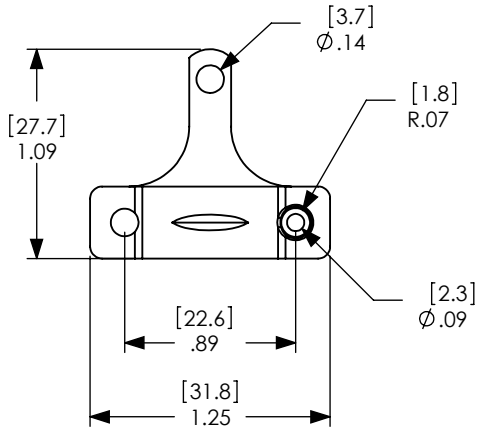


THE INFORMATION CONTAINED IN THIS DRAWING IS THE SOLE PROPERTY OF ANDERSON POWER PRODUCTS. ANY REPRODUCTION IN PART OR WHOLE WITHOUT THE WRITTEN PERMISSION OF ANDERSON POWER PRODUCTS IS PROHIBITED.

BY:	DATE
TWE	3/8/11
CPD	6-11-20
REV.	DESCRIPTION OF CHANGES
1	ECRN-14849 CLAMP THICKNESS DIM
2	ECN 2020-0054 - 1.09 WAS 1.06



NOTES:

1. MATERIAL: STEEL, ZINC/YELLOW PLATE
2. HARWARE KIT INCLUDES TWO SELF-TAPPING SCREWS, ONE LOCK WASHER, ONE SCREW AND ONE NUT
3. USE WITH TWIN CONDUCTOR CABLE

NEXT ASSY	USED ON
APPLICATION	

ITEM NO.	PART OR IDENTIFYING NO.	NOMENCLATURE OR DESCRIPTION	MATERIAL SPECIFICATION	QTY REQD
COPYRIGHT2000 ANDERSON POWER PRODUCTS. ALL RIGHTS RESERVED. UNAUTHORIZED REPRODUCTION HEREBY PROHIBITED.				
DIMENSIONS ARE IN INCHES DIMENSIONS IN PARENTHESES [] ARE IN MILLIMETERS		CAD GENERATED DRAWING, DO NOT MANUALLY UPDATE		<b>ANDERSON POWER PRODUCTS</b>
TOLERANCES ARE: 2PL- ±.02 [±.5]		APPROVALS	DATE	
MATERIALS: SEE NOTES		DRAWN	CMS 1/26/00	CATALOG NUMBER 5905 SB50 TWIN CONDUCTOR CABLE CLAMP
FINISH SEE NOTES		CHECKED	DJD 1/27/00	
DO NOT SCALE DRAWING		RESP ENG	UFN 2/7/00	SIZE A
		MFG ENG	CHB 2/7/00	SPECIFICATION: 114219S1
		QUAL ENG	RPO 2/8/00	REV. 2
		SCALE	NONE	CADFILES/01176
		SHEET 1 OF 1		