

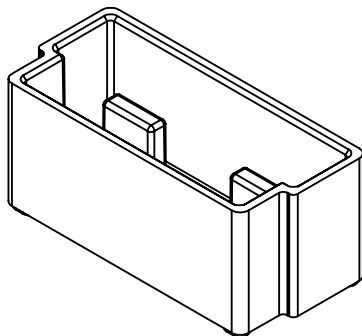
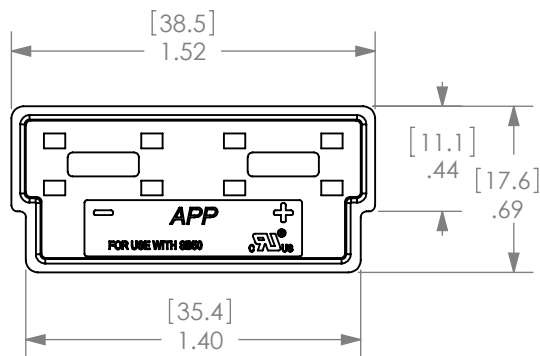
8 7 6 5 4 3 2 1

THE INFORMATION CONTAINED IN THIS DRAWING IS THE SOLE PROPERTY OF ANDERSON POWER PRODUCTS. ANY REPRODUCTION IN PART OR WHOLE WITHOUT THE WRITTEN PERMISSION OF ANDERSON POWER PRODUCTS IS PROHIBITED.

**Copyright 2011**

ANDERSON POWER PRODUCTS RESERVES THE RIGHT TO ALTER PRODUCT TYPES, THEIR TECHNICAL DATA, DIMENSION, STYLE AND ACCESSORIES WITHOUT PRIOR NOTIFICATION.

D



C



B

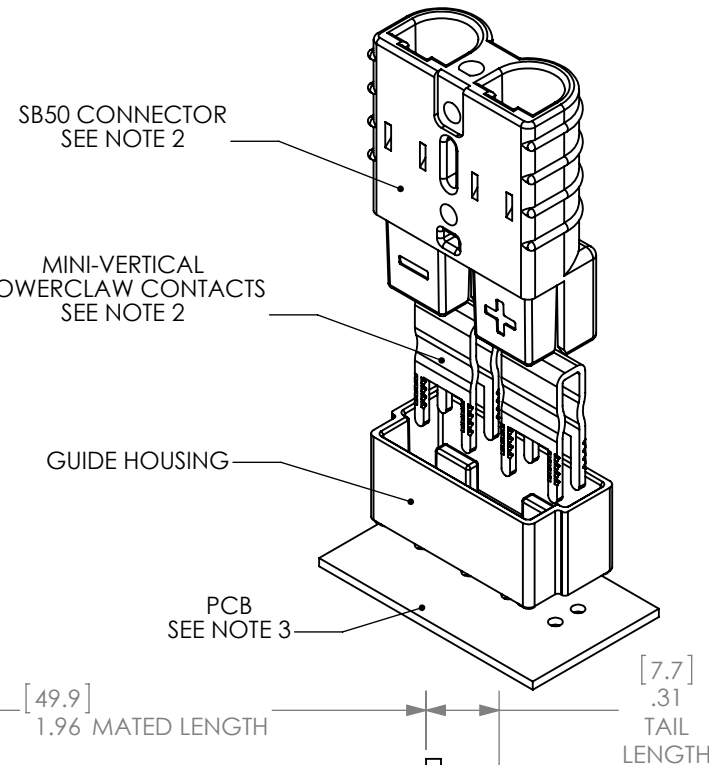
**NOTES:**

1. THIS GUIDE HOUSING FOR USE WITH TWO MINI-VERTICAL POWERCLAW CONTACTS, AND IS TO BE MATED WITH ONE SB50 CONNECTOR ONLY.
2. POWERCLAW CONTACTS AND SB50 CONNECTOR SOLD SEPARATELY
3. FOR PCB HOLE MOUNTING DIMENSIONS SEE DWG. 114332S1

A

REV.	DESCRIPTION	APPRV	DATE
3	ECRN-15202	TWE	7/13/2012
2	ECRN-15002	NTS	10/27/11
1	ECRN 14249	CMS	3/26/08

REVISIONS



D

C

B

A

DIMENSIONS ARE IN:		INCH [MM]		<b>APPROVALS</b>		<b>ANDERSON POWER PRODUCTS</b>	
UNLESS OTHERWISE STATED				DRAWN	CMS	11/25/2002	<b>TITLE</b> CATALOG NO. PC-HSG-SB MINI-VERTICAL POWERCLAW GUIDE HOUSING FOR SB50
TOLERANCES:				CHECKED	DJD	1/25/2002	
DECIMALS (INCH)	DECIMALS (MM)	ANGLES		MFG APPRV	DAM	11/25/2002	
.XX ±.02	.X ±.5	±2°		QC APPRV	RPO	11/25/2002	
SURFACE FINISH:				ENG APPRV	MAW	11/25/2002	
MACHINED 128µin [3.2µ]				MATERIAL:		SIZE	DWG NO.
MOLDED 64µin [1.6µ]				PC, UL94V-0, BLACK		A	114332S4
FINISH:				AS MOLDED		SCALE	CADFILE
						NONE	01686
						SHEET	1 OF 1

8 7 6 5 4 3 2 1