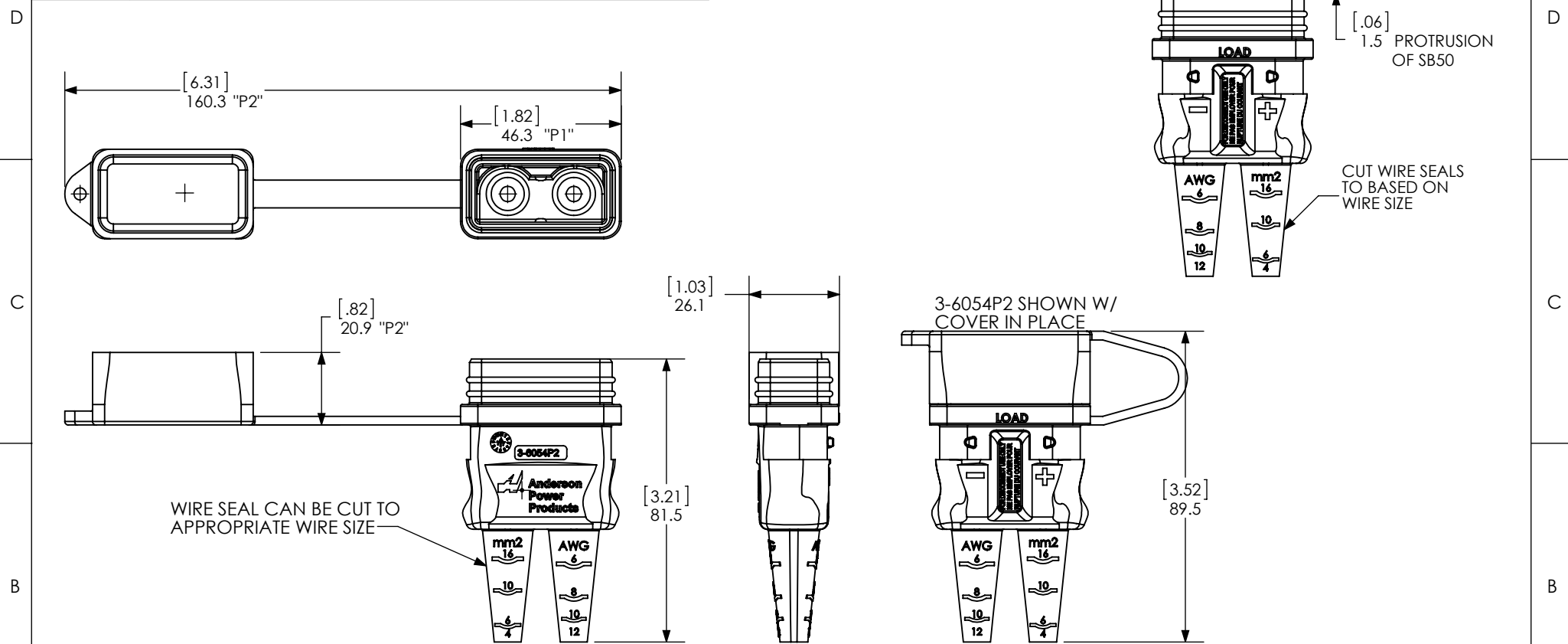


THE INFORMATION CONTAINED IN THIS DRAWING IS THE SOLE PROPERTY OF ANDERSON POWER PRODUCTS. ANY REPRODUCTION IN PART OR WHOLE WITHOUT THE WRITTEN PERMISSION OF ANDERSON POWER PRODUCTS IS PROHIBITED.

Copyright 2014

ANDERSON POWER PRODUCTS RESERVES THE RIGHT TO ALTER PRODUCT TYPES, THEIR TECHNICAL DATA, DIMENSION, STYLE AND ACCESSORIES WITHOUT PRIOR NOTIFICATION.

P/N	DESC.
3-6054P1	SB50 ENVIRONMENTAL BOOT-LOAD SIDE
3-6054P2	SB50 ENVIRONMENTAL BOOT-LOAD SIDE WITH INTEGRAL COVER



- NOTES:
1. MATERIAL - TPE
 2. INTENDED FOR USE WITH SB@ 50 CONNECTOR SERIES (SOLD SEPARATELY)
 3. REFER TO THE FOLLOWING ASSEMBLY INSTRUCTIONS
 1S1030A FOR SB@ CONNECTOR SERIES
 1S6596 FOR SB@ ENVIRONMENTAL BOOTS
 4. "LOAD" SIDE BOOT IS INTENDED FOR USE WITH CONNECTOR ATTACHED TO THE ELECTRICAL LOAD
 5. IN THE UNMATED CONDITION, SECURE THE COVER TO THE BOOT FOR ENVIRONMENTAL PROTECTION
 6. IN THE MATED CONDITION, SECURE COVERS TOGETHER TO PREVENT PARTICULATES FROM GATHERING IN THE COVERS

1	ECRN 15740	CMS	11/11/2014
REV.	DESCRIPTION	APPRV	DATE

DIMENSIONS ARE IN:	MM [INCH]	APPROVALS	
UNLESS OTHERWISE STATED		DRAWN	
TOLERANCES:		CMS	5/15/2014
DECIMALS (INCH)	DECIMALS (MM)	CHECKED	
.XX ± .02	.X ± .5	NTS	7/11/2014
ANGLES ±2°		MFG APPRV	
SURFACE FINISH:		lId	7/11/2014
MACHINED	3.2µ [128µin]	QC APPRV	
MOLDED	1.6µ [64µin]	HN	7/15/2014
MATERIAL:		ENG APPRV	
TPE- BLACK		BD	7/15/2014
FINISH:			

ANDERSON POWER PRODUCTS

TITLE: SB50 ENVIRONMENTAL BOOT- LOAD SIDE

SIZE: A DWG NO. 115376S1 REV. 1

3rd ANGLE PROJECTION

-CAD GENERATED DRAWING- DO NOT MANUALLY UPDATE DO NOT SCALE

SCALE	CADFILE	SHEET
NONE	04291	1 OF 2

THE INFORMATION CONTAINED IN THIS DRAWING IS THE SOLE PROPERTY OF ANDERSON POWER PRODUCTS. ANY REPRODUCTION IN PART OR WHOLE WITHOUT THE WRITTEN PERMISSION OF ANDERSON POWER PRODUCTS IS PROHIBITED.

Copyright 2014

ANDERSON POWER PRODUCTS RESERVES THE RIGHT TO ALTER PRODUCT TYPES, THEIR TECHNICAL DATA, DIMENSION, STYLE AND ACCESSORIES WITHOUT PRIOR NOTIFICATION.

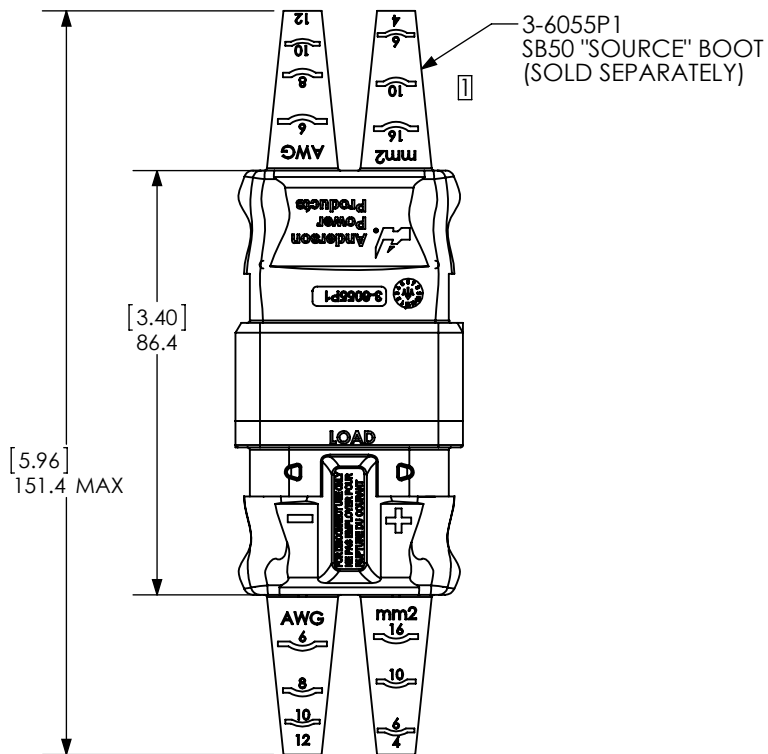
D

C

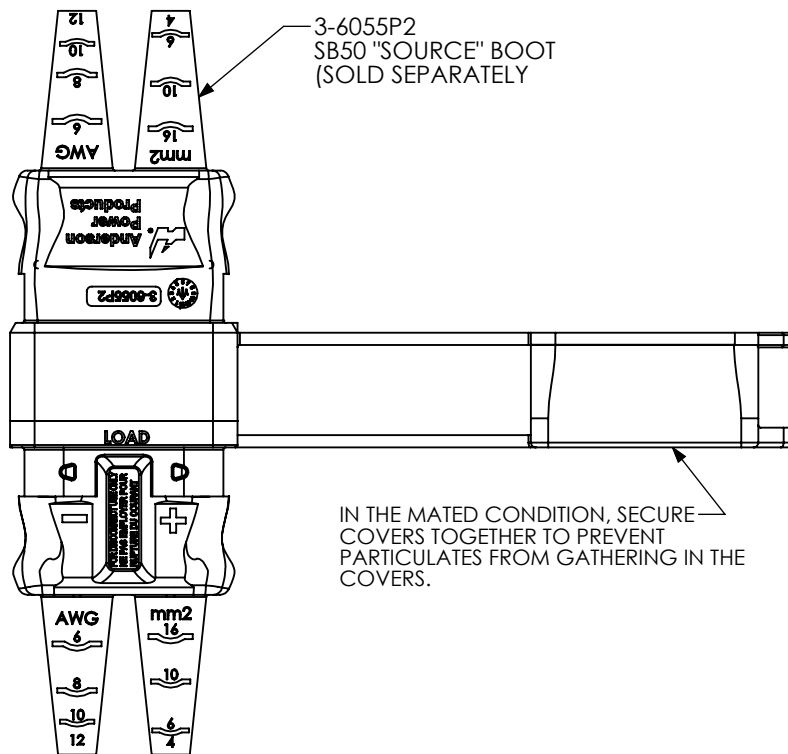
B

A

"P1" PARTS MATED



"P2" PARTS MATED



D

C

B

A

DIMENSIONS ARE IN:	MM [INCH]	<i>APPROVALS</i>			ANDERSON POWER PRODUCTS		
UNLESS OTHERWISE STATED		DRAWN	CMS		5/15/2014	TITLE	
TOLERANCES:		CHECKED	NTS	7/11/2014	SB50 ENVIRONMENTAL BOOT- LOAD SIDE		
DECIMALS (INCH) DECIMALS (MM) ANGLES .XX ± .02 .X ± .5 ±2°		MFG APPR	lld	7/11/2014			
SURFACE FINISH:		QC APPR	HN	7/15/2014			
MACHINED 3.2µ [128µin] ✓ MOLDED 1.6µ [64µin] ✓		ENG APPR	BD	7/15/2014	SIZE	DWG NO.	REV.
MATERIAL: TPE- BLACK				A	115376S1	1	
FINISH:				NONE	CADFILE	SHEET	
					04291	2 OF 2	
		-CAD GENERATED DRAWING- DO NOT MANUALLY UPDATE DO NOT SCALE					