

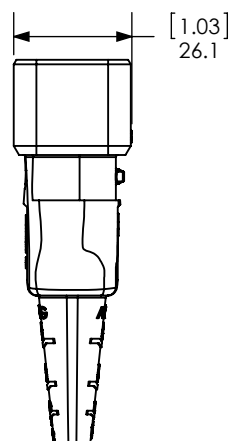
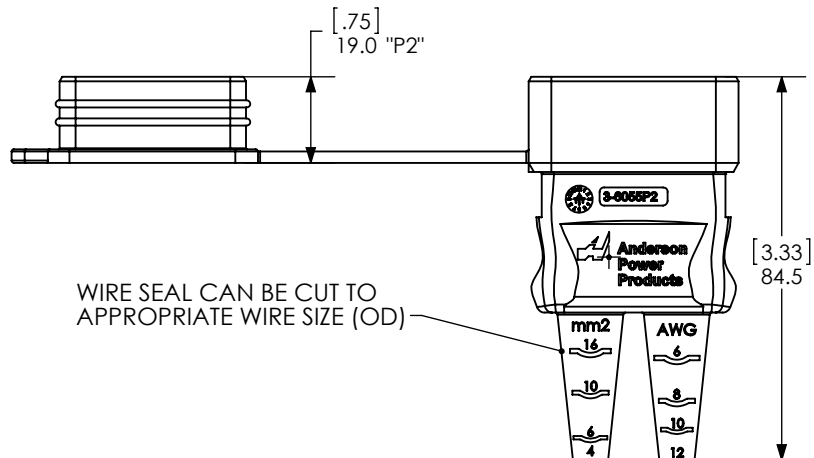
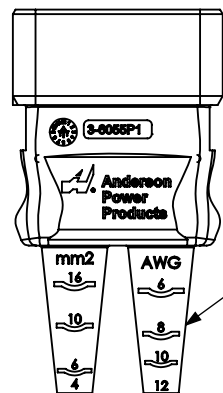
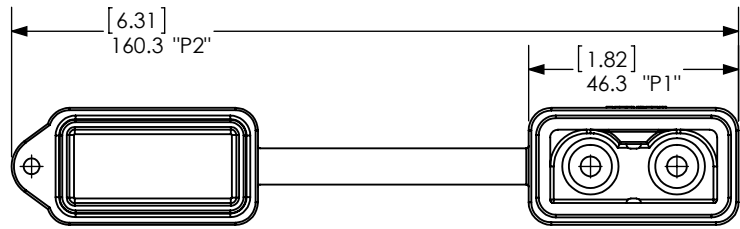
THE INFORMATION CONTAINED IN THIS DRAWING IS THE SOLE PROPERTY OF ANDERSON POWER PRODUCTS. ANY REPRODUCTION IN PART OR WHOLE WITHOUT THE WRITTEN PERMISSION OF ANDERSON POWER PRODUCTS IS PROHIBITED.

Copyright 2014

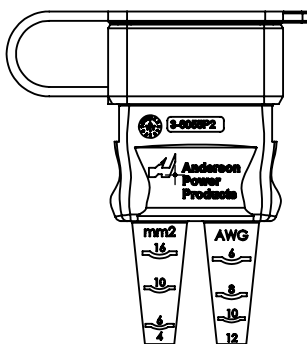
ANDERSON POWER PRODUCTS RESERVES THE RIGHT TO ALTER PRODUCT TYPES, THEIR TECHNICAL DATA, DIMENSION, STYLE AND ACCESSORIES WITHOUT PRIOR NOTIFICATION.

P/N	DESC.
3-6055P1	SB50 ENVIRONMENTAL BOOT-SOURCE SIDE
3-6055P2	SB50 ENVIRONMENTAL BOOT-SOURCE SIDE WITH INTEGRAL COVER

3-6055P1 WITH INSTALLED SB50 CONNECTOR



3-6055P2 SHOWN W/ COVER IN PLACE



- NOTES:
1. MATERIAL - TPE
 2. INTENDED FOR USE WITH SB@ 50 CONNECTOR SERIES (SOLD SEPARATELY)
 3. REFER TO THE FOLLOWING ASSEMBLY INSTRUCTIONS
1S1030A FOR SB@ CONNECTOR SERIES
1S6596 FOR SB@ ENVIRONMENTAL BOOTS
 4. "SOURCE" BOOT INTENDED FOR USE WITH CONNECTOR ATTACHED TO THE POWER SOURCE;
 5. IN THE UNMATED CONDITION, SECURE THE COVER TO THE BOOT FOR ENVIRONMENTAL PROTECTION
 6. IN THE UNMATED CONDITION, SECURE COVERS TOGETHER TO PREVENT PARTICULATES FROM GATHERING IN THE COVERS.

DIMENSIONS ARE IN:		MM [INCH]		APPROVALS		ANDERSON POWER PRODUCTS	
UNLESS OTHERWISE STATED				DRAWN	CMS	5/15/2014	
TOLERANCES:				CHECKED	NTS	7/11/2014	
DECIMALS (INCH)	DECIMALS (MM)	ANGLES		MFG APPRV	LLD	7/11/2014	
.XX ±.02	.X ±.5	±2°		QC APPRV	HN	7/15/2014	
SURFACE FINISH:				ENG APPRV	BD	7/15/2014	
MACHINED 3.2µ [128µin]				SIZE	A	DWG NO.	115376S2
MOLDED 1.6µ [64µin]				REV.		CADFILE	04294
MATERIAL: TPE- BLACK				SCALE	NONE	SHEET	1 OF 2
FINISH:				-CAD GENERATED DRAWING- DO NOT MANUALLY UPDATE DO NOT SCALE			

1	ECRN 15740	CMS	11/11/2014
REV.	DESCRIPTION	APPRV	DATE
REVISIONS			

THE INFORMATION CONTAINED IN THIS DRAWING IS THE SOLE PROPERTY OF ANDERSON POWER PRODUCTS. ANY REPRODUCTION IN PART OR WHOLE WITHOUT THE WRITTEN PERMISSION OF ANDERSON POWER PRODUCTS IS PROHIBITED.

Copyright 2014

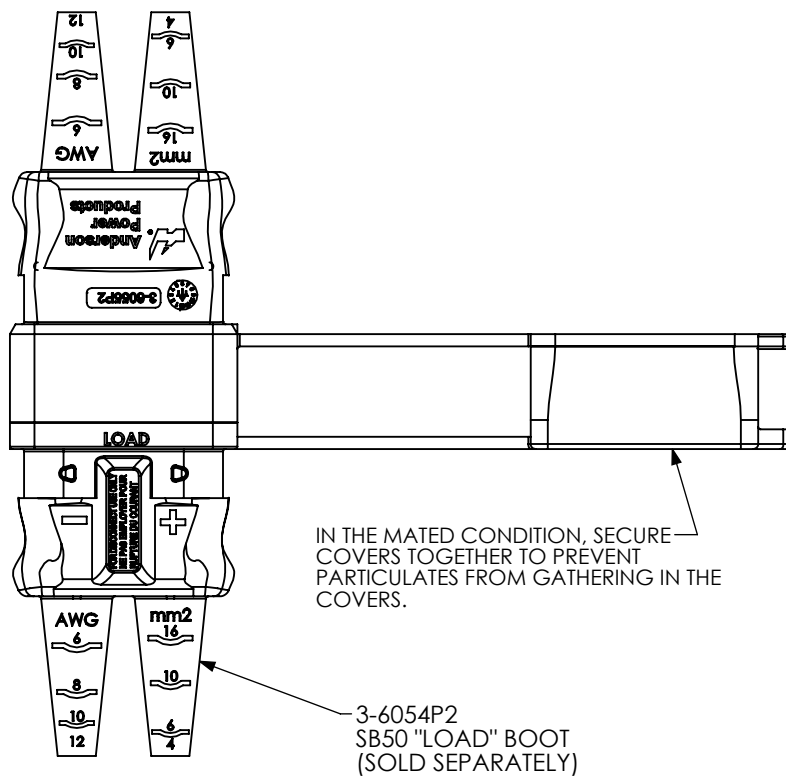
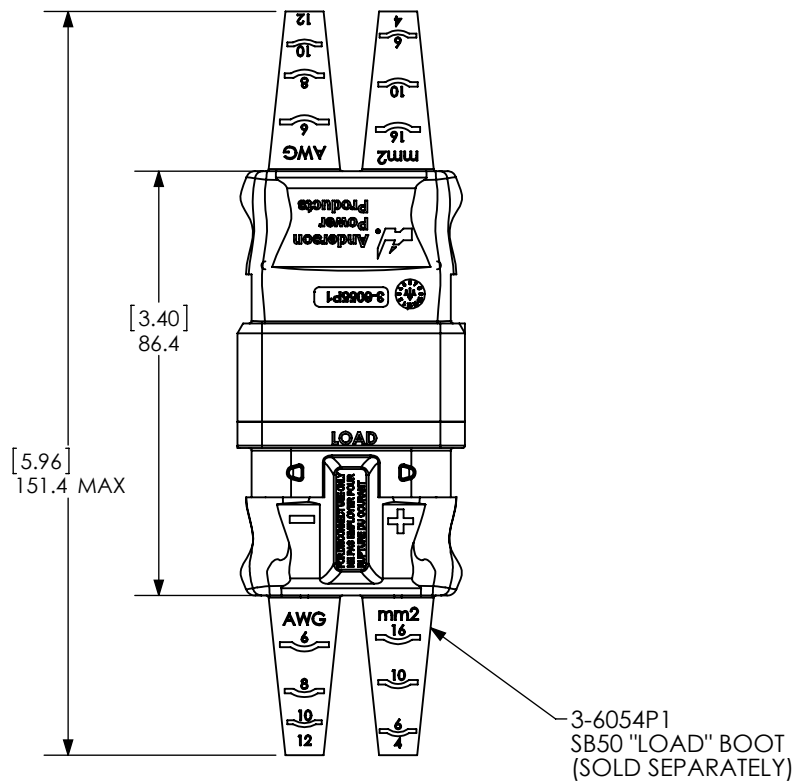
ANDERSON POWER PRODUCTS RESERVES THE RIGHT TO ALTER PRODUCT TYPES, THEIR TECHNICAL DATA, DIMENSION, STYLE AND ACCESSORIES WITHOUT PRIOR NOTIFICATION.



D
C
B
A

D
C
B
A

"P1" PARTS MATED

"P2" PARTS MATED



DIMENSIONS ARE IN:	MM [INCH]	<i>APPROVALS</i>		 ANDERSON POWER PRODUCTS TITLE SB50 ENVIRONMENTAL BOOT- SOURCE SIDE
UNLESS OTHERWISE STATED		DRAWN	CMS 5/15/2014	
TOLERANCES:		CHECKED	NTS 7/11/2014	
DECIMALS (INCH) DECIMALS (MM) ANGLES .XX ± .02 .X ± .5 ± 2°		MFG APPRV	LLD 7/11/2014	
SURFACE FINISH:		QC APPRV	HN 7/15/2014	
MACHINED 3.2µ [128µin] ✓		ENG APPRV	BD 7/15/2014	SIZE A
MOLDED 1.6µ [64µin] ✓				DWG NO. 115376S2
MATERIAL: TPE- BLACK				REV. 1
FINISH:				SCALE NONE
 3rd ANGLE PROJECTION		-CAD GENERATED DRAWING- DO NOT MANUALLY UPDATE DO NOT SCALE		CADFILE 04294
				SHEET 2 OF 2