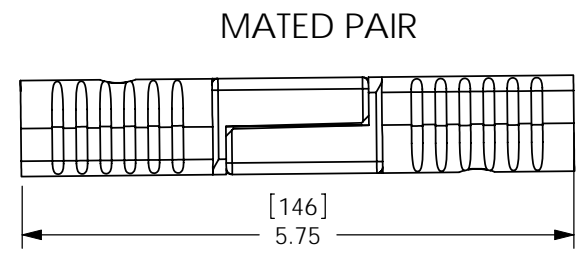
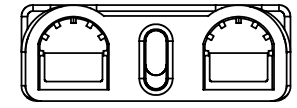
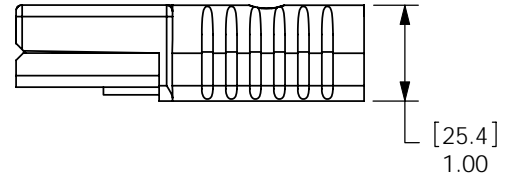
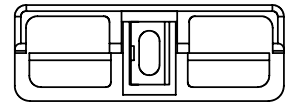
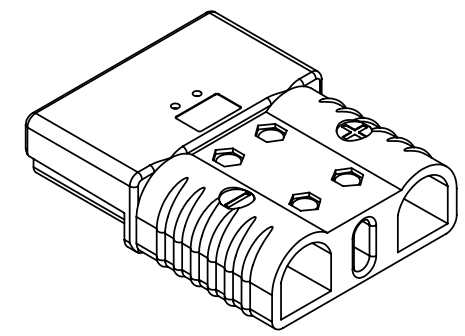
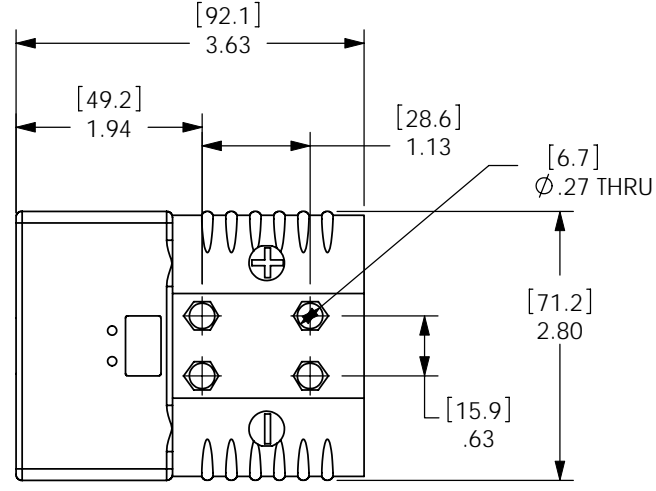


THE INFORMATION CONTAINED IN THIS DRAWING IS THE SOLE PROPERTY OF ANDERSON POWER PRODUCTS. ANY REPRODUCTION IN PART OR WHOLE WITHOUT THE WRITTEN PERMISSION OF ANDERSON POWER PRODUCTS IS PROHIBITED.

DATE	
BY:	
DESCRIPTION OF CHANGES	
REV.	



COMPLIES WITH EN1175-1 (FORMERLY EEC86/663 DIRECTIVE)

- NOTES:
1. SPRING/HOUSING ASSEMBLIES ARE UL RECOGNIZED PER FILE E26226, CSA CERTIFIED PER LR25154, AND TUV CERTIFICATION NO. R0097579.05 TO DIN VDE 0117.
 2. HOUSINGS ARE KEYS TO ONLY ALLOW MATING WITH THE SAME COLOR HOUSING
 3. FOR ASSEMBLY INSTRUCTIONS SEE DOCUMENT 1S6217
 4. HOUSINGS ASSEMBLIES ACCOMMODATE ANDERSON CONTACTS FOR WIRE RANGE FROM 40 AMP TO 160 AMP ON 35 SQ. MM (#10 TO #2AWG).
 5. MATERIAL:
HOUSINGS- PBT, UL94V0
SPRING- STAINLESS STEEL
 6. OPTIONAL AUXILIARY CONTACT KIT AVAILABLE

NEXT ASSY	USED ON
APPLICATION	

ITEM NO.	PART OR IDENTIFYING NO.	NOMENCLATURE OR DESCRIPTION	MATERIAL SPECIFICATION	QTY REQD
COPYRIGHT 1999 ANDERSON POWER PRODUCTS. ALL RIGHTS RESERVED. UNAUTHORIZED REPRODUCTION HEREBY PROHIBITED.				
DIMENSIONS ARE IN INCHES DIMENSIONS IN PARENTHESES () ARE IN MILLIMETERS		CAD GENERATED DRAWING, DO NOT MANUALLY UPDATE		ANDERSON POWER PRODUCTS
TOLERANCES ARE: 2PL - ±.02 [±.5]		APPROVALS		DATE
MATERIALS: SEE NOTES		DRAWN		3/15/99
		CHECKED		3/15/99
		RESP ENG		4/13/99
		MFG ENG		4/13/99
		QUAL ENG		4/13/99
FINISH *****		SIZE A		SPECIFICATION:
DO NOT SCALE DRAWING		SCALE		REV. 0
		CADFILES/00997		SHEET 1 OF 1

SBE160 HOUSING AND SPRING ASSEMBLY OUTLING DRAWING

114127S1