

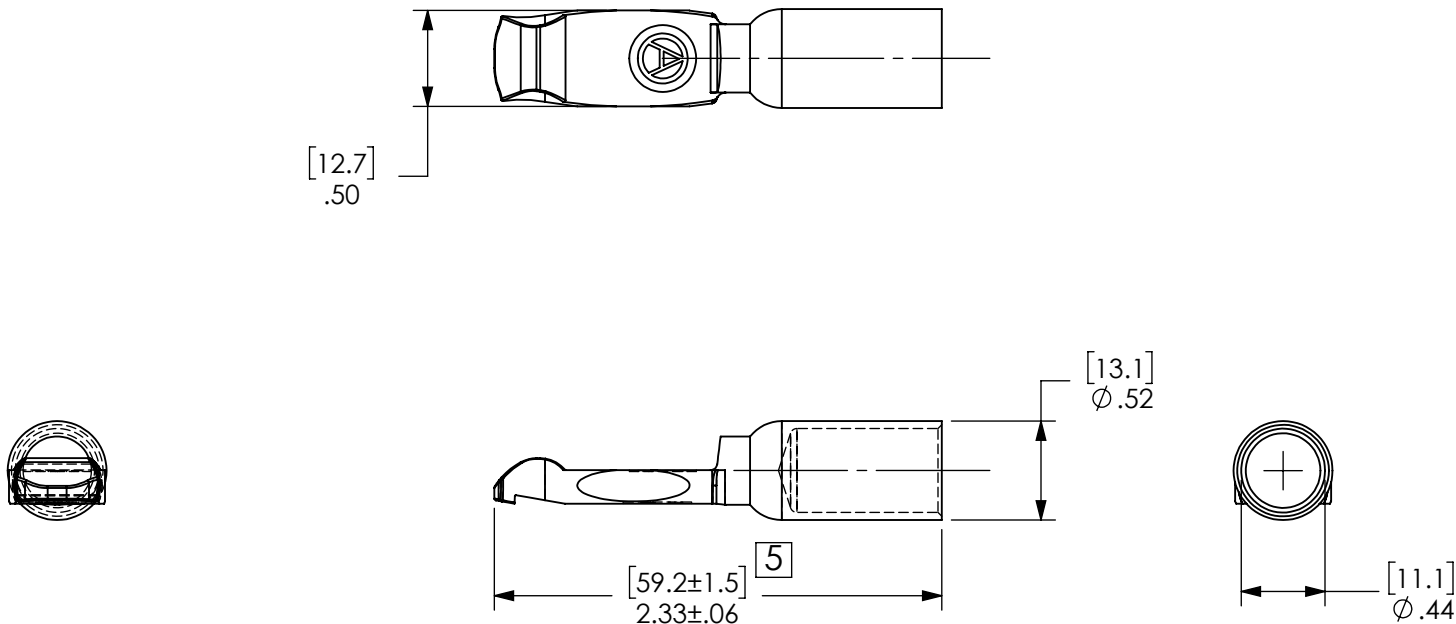
THE INFORMATION CONTAINED IN THIS DRAWING IS THE SOLE PROPERTY OF ANDERSON POWER PRODUCTS. ANY REPRODUCTION IN PART OR WHOLE WITHOUT THE WRITTEN PERMISSION OF ANDERSON POWER PRODUCTS IS PROHIBITED.

Copyright 2011

ANDERSON POWER PRODUCTS RESERVES THE RIGHT TO ALTER PRODUCT TYPES, THEIR TECHNICAL DATA, DIMENSION, STYLE AND ACCESSORIES WITHOUT PRIOR NOTIFICATION.

D
C
B
A

D
C
B
A



DIMENSIONS ARE IN:		MM [INCH]		<i>APPROVALS</i>		ANDERSON POWER PRODUCTS	
UNLESS OTHERWISE STATED				DRAWN	RL	5/1/1989	TITLE CATALOG NUMBER 6384G1 SBE 160/ SBX 175 CONTACT FOR 1/0 WIRE SET OF TWO CONTACTS
TOLERANCES:				CHECKED	RG	5/1/1989	
DECIMALS (INCH) DECIMALS (MM) ANGLES				MFG APPRV	CHB	12/1/2005	
.XX ± .02 .X ± .5 ±.2°				QC APPRV	NH	12/1/2005	
SURFACE FINISH:				ENG APPRV	RG	5/1/1989	
MACHINED [3.2μ] 128μin				SIZE	A	DWG NO.	114162S1
MOLDED [1.6μ] 64μin				SCALE	1:1	CADFILE	01076
MATERIAL:				REVISIONS		SHEET	1 OF 1
COPPER ALLOY				5	DESCRIPTION	REV.	5
FINISH:				4	ECRN 15007		
SILVER PLATE					APPRV	DATE	
				-CAD GENERATED DRAWING- DO NOT MANUALLY UPDATE DO NOT SCALE			

5	ECN 2021-0001 59.2 WAS 59.1, ADDED TOLERANCE, TOL BLOCK	CPD	1/13/2021
4	ECRN 15007	JHN	10/31/2011
REV.	DESCRIPTION	APPRV	DATE
REVISIONS			