

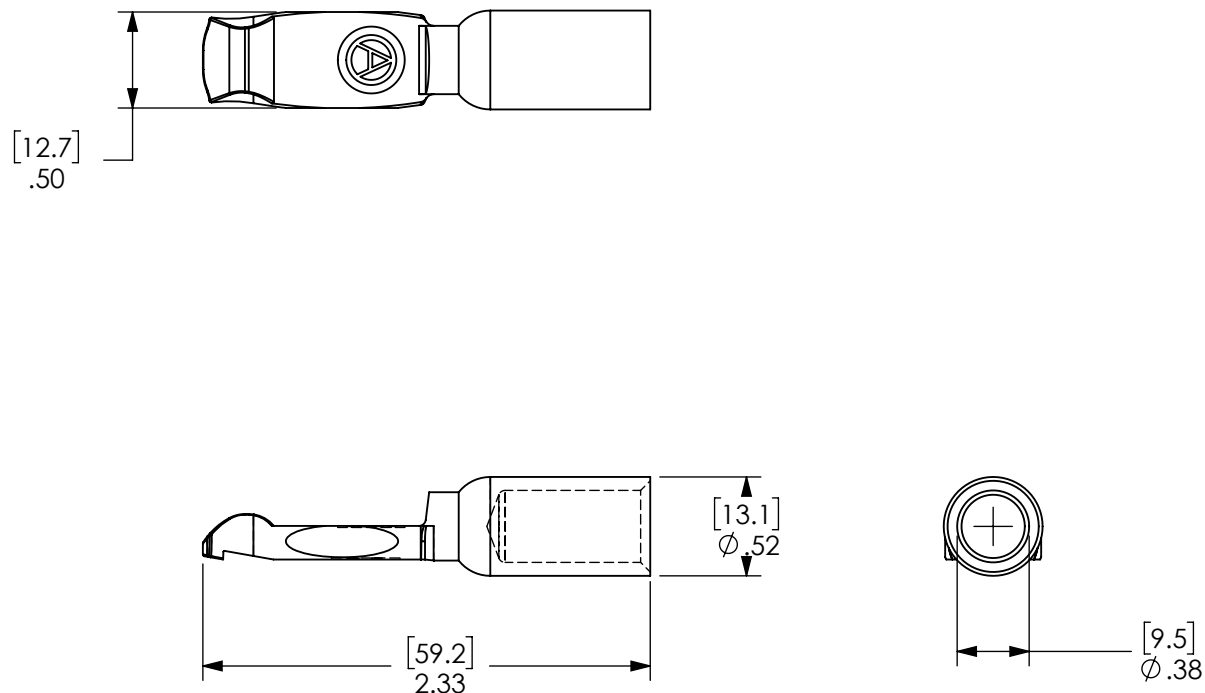
THE INFORMATION CONTAINED IN THIS DRAWING IS THE SOLE PROPERTY OF ANDERSON POWER PRODUCTS. ANY REPRODUCTION IN PART OR WHOLE WITHOUT THE WRITTEN PERMISSION OF ANDERSON POWER PRODUCTS IS PROHIBITED.

Copyright 2012

ANDERSON POWER PRODUCTS RESERVES THE RIGHT TO ALTER PRODUCT TYPES, THEIR TECHNICAL DATA, DIMENSION, STYLE AND ACCESSORIES WITHOUT PRIOR NOTIFICATION.

D
C
B
A

D
C
B
A



DIMENSIONS ARE IN:		MM [INCH]		<i>APPROVALS</i>		ANDERSON POWER PRODUCTS	
UNLESS OTHERWISE STATED				DRAWN	CMS	7/14/1999	TITLE CATALOG NUMBER 6384G2 SBE 160/SBX 175 CONTACT FOR 35MM WIRE SET OF TWO CONTACTS
TOLERANCES:				CHECKED	DJD	7/14/1999	
DECIMALS (INCH) DECIMALS (MM) ANGLES .XX ±.02 .X ±.5 ±2°				MFG APPRV	CHB	7/26/1999	
SURFACE FINISH:				QC APPRV	DJM	7/26/1999	
MACHINED 3.2µ [128µin] ✓ MOLDED 1.6µ [64µin] ✓				ENG APPRV	UFN	7/27/1999	SIZE A
MATERIAL: COPPER ALLOY						DWG NO.	114162S2
FINISH: SILVER PLATE						REV.	5
				-CAD GENERATED DRAWING- DO NOT MANUALLY UPDATE DO NOT SCALE		SCALE	NONE
						CADFILE	01077
						SHEET	1 OF 1

REV.	DESCRIPTION	APPRV	DATE
5	ECRN-15162	TWE	10/30/2012
4	ECRN-15008	JHN	10/31/2011
REVISIONS			