

THE INFORMATION CONTAINED IN THIS DRAWING IS THE SOLE PROPERTY OF ANDERSON POWER PRODUCTS. ANY REPRODUCTION IN PART OR WHOLE WITHOUT THE WRITTEN PERMISSION OF ANDERSON POWER PRODUCTS IS PROHIBITED.

**Copyright 1999**

ANDERSON POWER PRODUCTS RESERVES THE RIGHT TO ALTER PRODUCT TYPES, THEIR TECHNICAL DATA, DIMENSION, STYLE AND ACCESSORIES WITHOUT PRIOR NOTIFICATION.

D

C

B

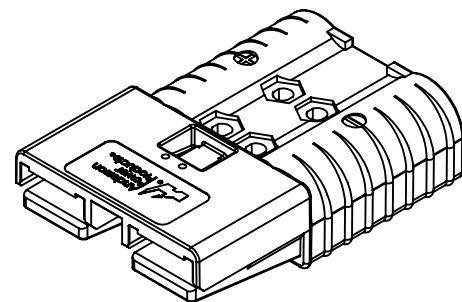
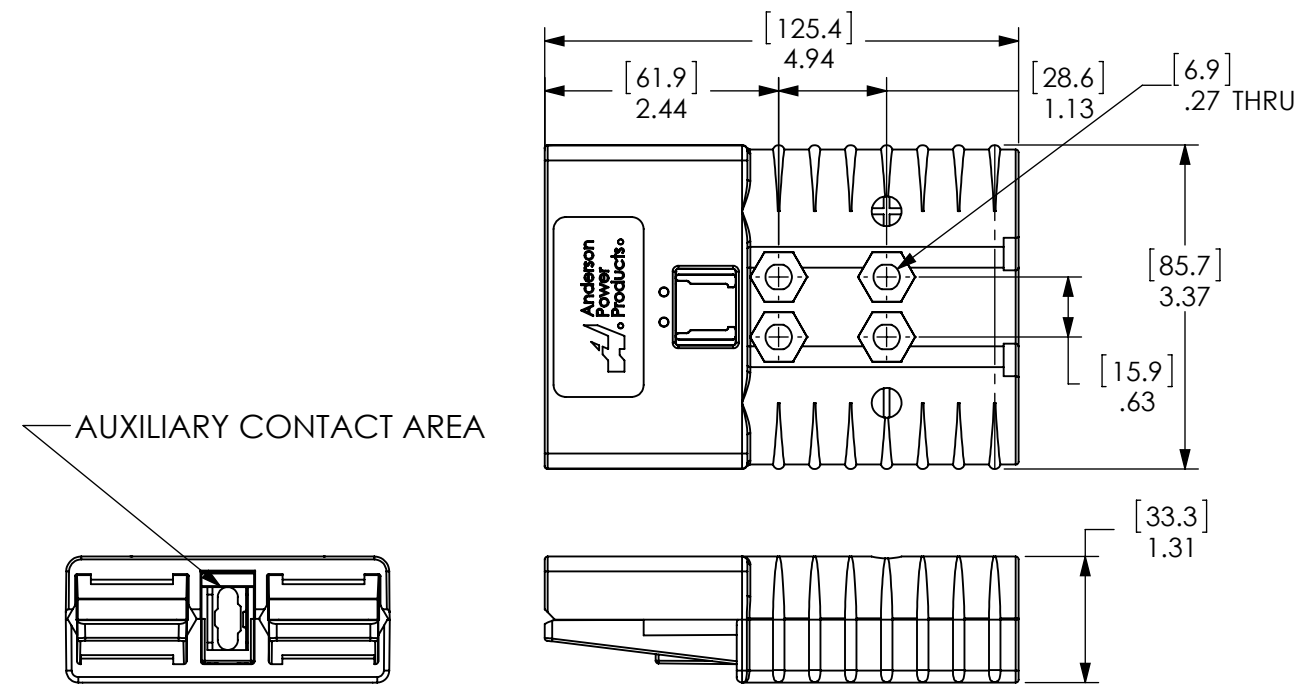
A

D

C

B

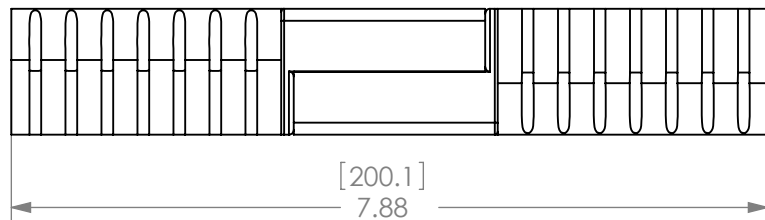
A



**COMPLIES WITH EN1175-1 (FORMERLY EEC86/663 DIRECTIVE)**

- NOTES:
1. SPRING/HOUSING ASSEMBLIES ARE UL RECOGNIZED PER FILE E26226, CSA CERTIFIED PER LR25154, AND TUV CERTIFICATION NO. R0097579.05 TO DIN VDE 0117
  2. HOUSINGS ARE KEYPED TO ONLY ALLOW MATING WITH THE SAME COLOR HOUSING
  3. FOR ASSEMBLY INSTRUCTIONS SEE DOCUMENT 1S6217
  4. HOUSINGS ASSEMBLIES ACCOMODATE ANDERSON CONTACTS FOR WIRE RANGE FROM 170 TO 320 AMP ON 95 SQ. MM WIRE (#2 AWG TO 3/0).
  5. MATERIAL:  
HOUSINGS- PBT, UL94V0  
SPRING- STAINLESS STEEL
  6. OPTIONAL AUXILIARY CONTACT KIT AVAILABLE

MATED PAIR



REV.	DESCRIPTION	APPRV	DATE
2	ECRN-15787A	TWE	3/5/2015
1	ECRN-14934 COLOR AND KEYING ADDED	TWE	7/14/11
REVISIONS			

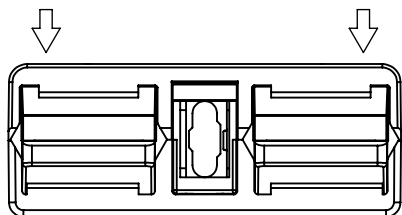
DIMENSIONS ARE IN:	INCH [MM]	<b>APPROVALS</b>		 <b>ANDERSON POWER PRODUCTS</b>			
UNLESS OTHERWISE STATED		DRAWN	CMS 3/15/1999				
TOLERANCES:		CHECKED	DJD 3/17/1999				
DECIMALS (INCH) .XX ± .02		MFG APPRV	CHB 4/13/1999				
DECIMALS (MM) .X ± .5		QC APPRV	DJM 4/13/1999	<b>TITLE</b> SBE 320 HOUSING AND SPRING ASSEMBLY OUTLINE DRAWING			
ANGLES ±2°		ENG APPRV	UFN 4/13/1999				
SURFACE FINISH:		SIZE	A	DWG NO.	114128S1	REV.	2
MACHINED 128µin [3.2µ]		SCALE	NONE	CADFILE	00998	SHEET	1 OF 2
MOLDED 64µin [1.6µ]		-CAD GENERATED DRAWING- DO NOT MANUALLY UPDATE DO NOT SCALE					
MATERIAL: SEE NOTES							
FINISH:							
 3rd ANGLE PROJECTION							

THE INFORMATION CONTAINED IN THIS DRAWING IS THE SOLE PROPERTY OF ANDERSON POWER PRODUCTS. ANY REPRODUCTION IN PART OR WHOLE WITHOUT THE WRITTEN PERMISSION OF ANDERSON POWER PRODUCTS IS PROHIBITED.

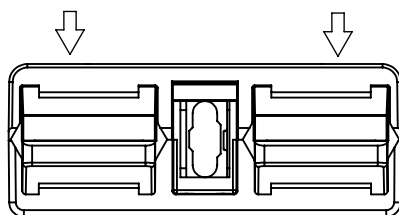
**Copyright 2011**

ANDERSON POWER PRODUCTS RESERVES THE RIGHT TO ALTER PRODUCT TYPES, THEIR TECHNICAL DATA, DIMENSION, STYLE AND ACCESSORIES WITHOUT PRIOR NOTIFICATION.

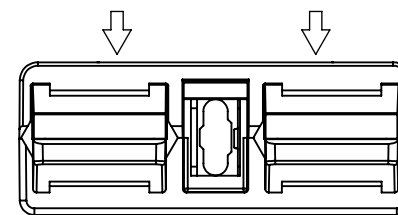
**SBE GRAY KEYING**



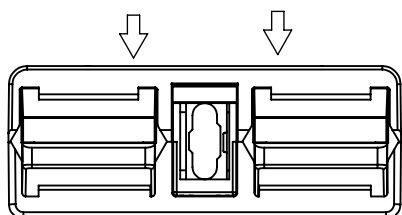
**SBE BLUE KEYING**



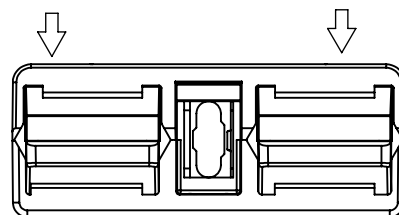
**SBE RED KEYING**



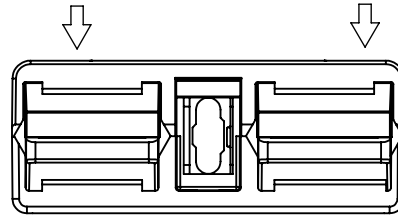
**SBE GREEN KEYING**



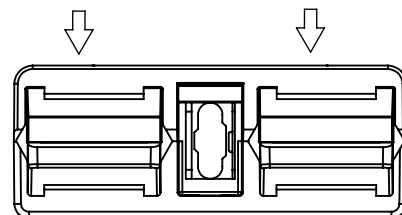
**SBE BLACK KEYING**



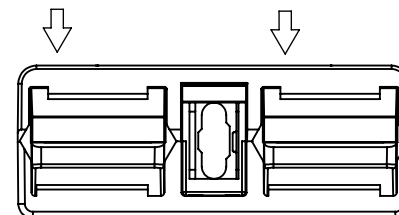
**SBE YELLOW KEYING**



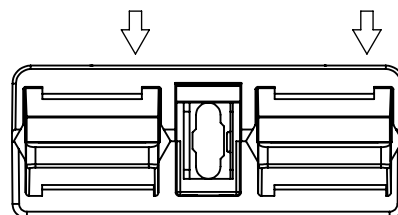
**SBE ORANGE KEYING**



**SBE BROWN KEYING**



**SBE PURPLE KEYING**



**NOTE:**  
DIFFERENT COLOR KEYING IS BASED ON LOCATION OF GAP, HIGHLIGHTED WITH ARROWS

DIMENSIONS ARE IN:		INCH [MM]		<b>APPROVALS</b>		<b>ANDERSON POWER PRODUCTS</b>	
UNLESS OTHERWISE STATED				<b>DRAWN</b>	CMS	3/15/99	<b>TITLE</b> SBE 320 HOUSING AND SPRING ASSEMBLY OUTLINE DRAWING
<b>TOLERANCES:</b>				<b>CHECKED</b>	DJD	3/17/99	
DECIMALS (INCH)	DECIMALS (MM)	ANGLES		<b>MFG APPRV</b>	CHB	4/13/99	
.XX ± .02	.X ± .5	±2°		<b>QC APPRV</b>	DJM	4/13/99	
SURFACE FINISH:				<b>ENG APPRV</b>	UFN	4/13/99	<b>SIZE</b> A
MACHINED		128µin [3.2µ]				<b>DWG NO.</b>	114128S1
MOLDED		64µin [1.6µ]				<b>REV.</b>	2
<b>MATERIAL:</b> SEE NOTES						<b>SCALE</b>	NONE
<b>FINISH:</b>						<b>CADFILE</b>	00998
				-CAD GENERATED DRAWING- DO NOT MANUALLY UPDATE DO NOT SCALE		<b>SHEET</b>	2 OF 2

REV.	DESCRIPTION	APPRV	DATE
-	See Sheet1	-	-
REVISIONS			