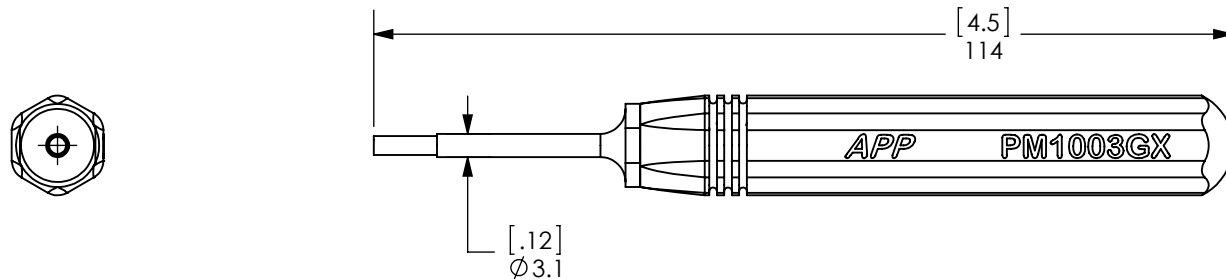
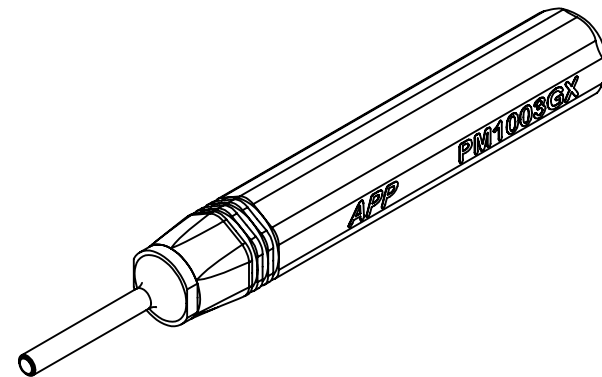


THE INFORMATION CONTAINED IN THIS DRAWING IS THE SOLE PROPERTY OF ANDERSON POWER PRODUCTS. ANY REPRODUCTION IN PART OR WHOLE WITHOUT THE WRITTEN PERMISSION OF ANDERSON POWER PRODUCTS IS PROHIBITED.

Copyright 2015

ANDERSON POWER PRODUCTS RESERVES THE RIGHT TO ALTER PRODUCT TYPES, THEIR TECHNICAL DATA, DIMENSION, STYLE AND ACCESSORIES WITHOUT PRIOR NOTIFICATION.



- NOTES:**
- REFER TO 1S6640 FOR USER INSTRUCTIONS
 - MATERIALS:**
 - HANDLE- ALUMINUM
 - MANDREL/TUBE - STAINLESS STEEL

DIMENSIONS ARE IN:		MM [INCH]		<i>APPROVALS</i>		ANDERSON POWER PRODUCTS													
UNLESS OTHERWISE STATED				DRAWN	CMS	2/26/2015													
TOLERANCES:				CHECKED	NTS	3/13/2015													
DECIMALS (INCH)	DECIMALS (MM)	ANGLES		MFG APPRV	CHB	3/13/2015													
.XX ±.02	.X ±.5	±2°		QC APPRV	ASF	3/16/2015													
SURFACE FINISH:				ENG APPRV	CLY	3/16/2015													
MACHINED		3.2µ [128µin]		<table border="1"> <tr> <td>SIZE</td> <td>A</td> <td>DWG NO.</td> <td>115432S1</td> <td>REV.</td> <td>0</td> </tr> <tr> <td>SCALE</td> <td>NONE</td> <td>CADFILE</td> <td>04474</td> <td>SHEET</td> <td>1 OF 1</td> </tr> </table>				SIZE	A	DWG NO.	115432S1	REV.	0	SCALE	NONE	CADFILE	04474	SHEET	1 OF 1
SIZE	A	DWG NO.	115432S1					REV.	0										
SCALE	NONE	CADFILE	04474	SHEET	1 OF 1														
MOLDED		1.6µ [64µin]																	
MATERIAL:				-CAD GENERATED DRAWING- DO NOT MANUALLY UPDATE DO NOT SCALE															
SEE NOTES																			
FINISH:																			

REV.	DESCRIPTION	APPRV	DATE
REVISIONS			