

8

7

6

5

4

3

2

1

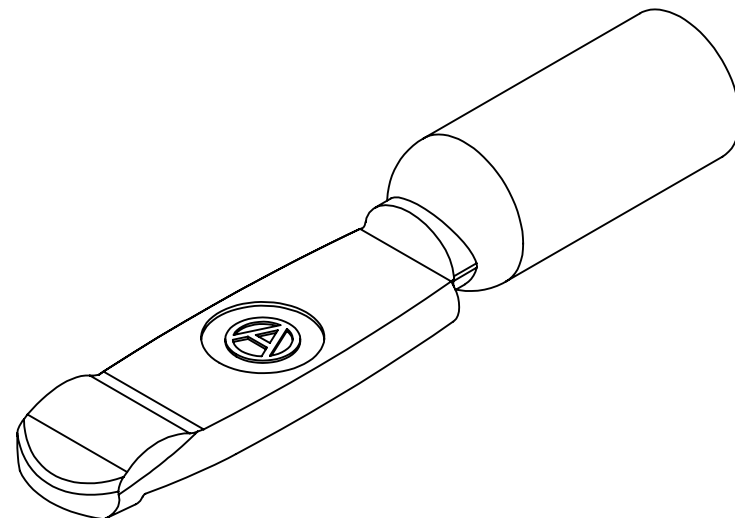
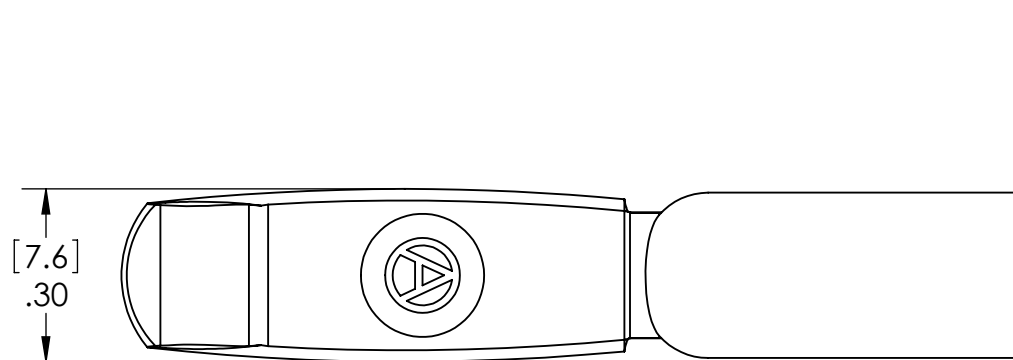
THE INFORMATION CONTAINED IN THIS DRAWING IS THE SOLE PROPERTY OF ANDERSON POWER PRODUCTS. ANY REPRODUCTION IN PART OR WHOLE WITHOUT THE WRITTEN PERMISSION OF ANDERSON POWER PRODUCTS IS PROHIBITED.

Copyright 2011

ANDERSON POWER PRODUCTS RESERVES THE RIGHT TO ALTER PRODUCT TYPES, THEIR TECHNICAL DATA, DIMENSION, STYLE AND ACCESSORIES WITHOUT PRIOR NOTIFICATION.

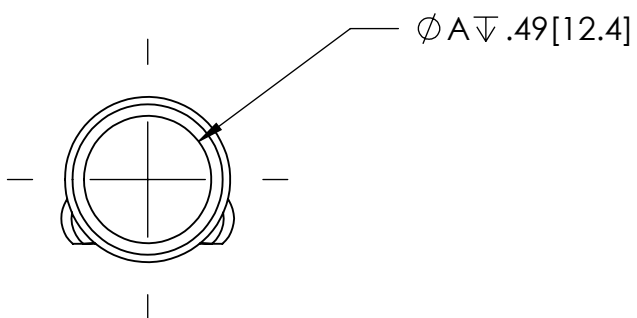
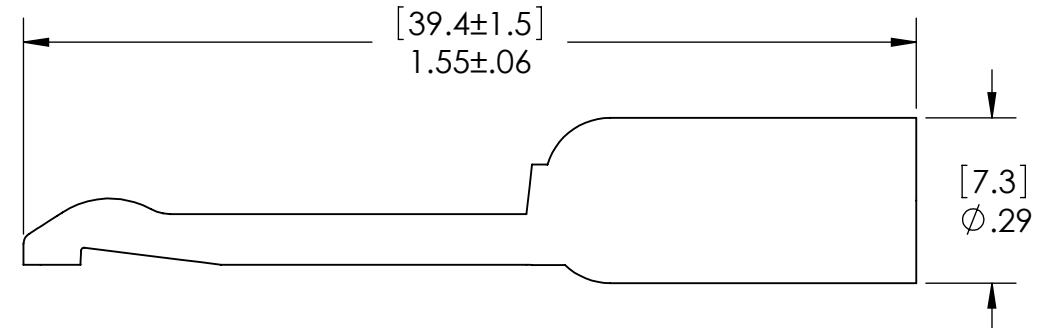
E

E



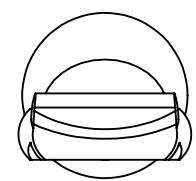
D

D



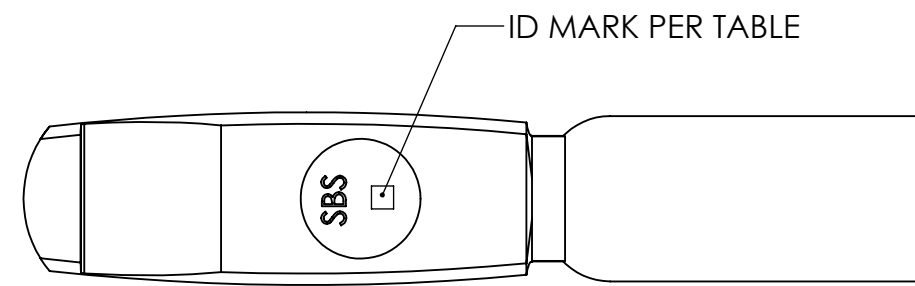
C

C



B

B



CAT. NO.	WIRE GAGE	ø A	ID MARK
1339G2	6 AWG	ø.22 [5.6]	6
1339G3	10-12 AWG	ø.14 [3.5]	10/12
1339G5	8 AWG	ø.19 [4.7]	8

A

A

REV.	DESCRIPTION	APPRV	DATE
3	ECRN-15034	NTS	1/5/12
2	ECRN 14806	NTS	1/10/2011
1	ECRN 13652	JB	8/03

DIMENSIONS ARE IN:	INCH [MM]	<b>APPROVALS</b>		<b>ANDERSON POWER PRODUCTS</b> <b>TITLE</b> OUTLINE: 1339G SERIES CONTACTS FOR SBS50, SBS75X
UNLESS OTHERWISE STATED		<b>DRAWN</b>	GN 6/1/2003	
TOLERANCES:		<b>CHECKED</b>	DD 6/1/2003	
SURFACE FINISH:		<b>MFG APPRV</b>	DM 6/1/2003	
MACHINED 64 [1.6] ✓ MOLDED 32 [0.8] ✓		<b>QC APPRV</b>	RO 6/1/2003	
MATERIAL: COPPER ALLOY		<b>ENG APPRV</b>	MW 6/1/2003	SIZE B
FINISH: SILVER PLATE		-CAD GENERATED DRAWING- DO NOT MANUALLY UPDATE DO NOT SCALE		DWG NO. B01853S2
				REV. 3
REVISIONS		SCALE NONE		CADFILE 01777
				SHEET 1 OF 1

8

7

6

5

4

3

2

1