

8 7 6 5 4 3 2 1

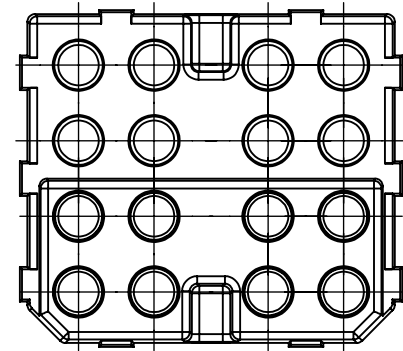
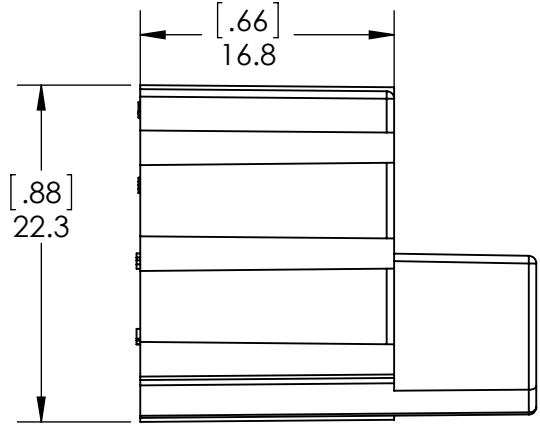
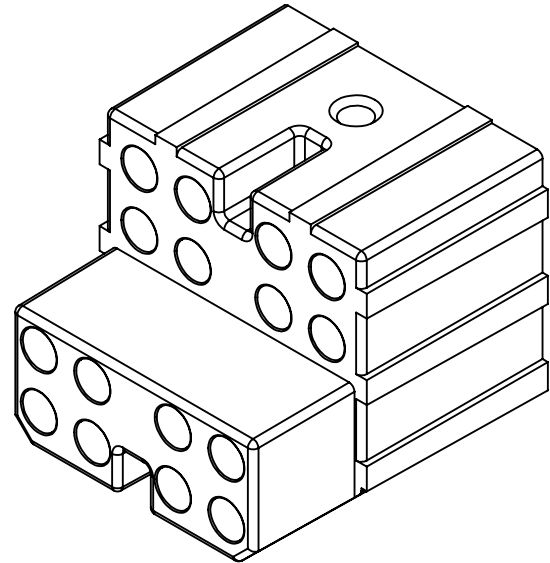
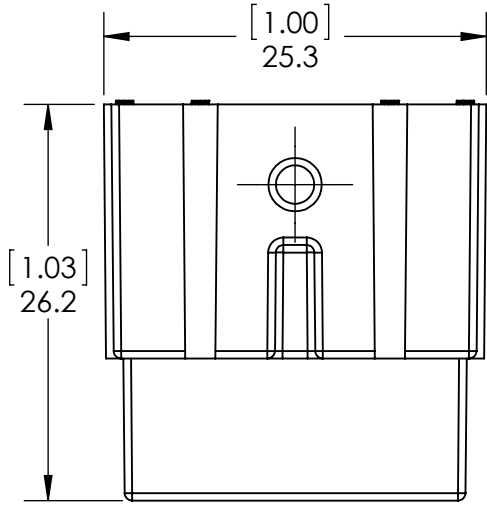
THE INFORMATION CONTAINED IN THIS DRAWING IS THE SOLE PROPERTY OF ANDERSON POWER PRODUCTS. ANY REPRODUCTION IN PART OR WHOLE WITHOUT THE WRITTEN PERMISSION OF ANDERSON POWER PRODUCTS IS PROHIBITED.

**Copyright 2012**

ANDERSON POWER PRODUCTS RESERVES THE RIGHT TO ALTER PRODUCT TYPES, THEIR TECHNICAL DATA, DIMENSION, STYLE AND ACCESSORIES WITHOUT PRIOR NOTIFICATION.

D  
C  
B  
A

D  
C  
B  
A



PART NUMBER: 3-6018P1

DIMENSIONS ARE IN: MM [INCH]		<b>APPROVALS</b>		 <b>ANDERSON POWER PRODUCTS</b>
UNLESS OTHERWISE STATED		DRAWN	LLD 5/31/2012	
TOLERANCES:		CHECKED	CHS 6/1/2012	<b>TITLE</b> SB120XZ 4X4 INSERT SALES OULINE DRAWING
DECIMALS (INCH)	DECIMALS (MM)	ANGLES	MFG APPRV	
.XX ± .02	.X ± .5	±2°	CHB 6/1/2012	
SURFACE FINISH:		QC APPRV	UFN 6/1/2012	<b>SIZE</b> A <b>DWG NO.</b> 115168S1 <b>REV.</b> 0
MACHINED	3.2μ [128μin]	ENG APPRV	BD 6/1/2012	
MOLDED	1.6μ [64μin]	-CAD GENERATED DRAWING- DO NOT MANUALLY UPDATE DO NOT SCALE		<b>SCALE</b> NONE <b>CADFILE</b> 03731 <b>SHEET</b> 1 OF 1
MATERIAL: PPS R7-120NA BLACK+				
FINISH:				

REV.	DESCRIPTION	APPRV	DATE
REVISIONS			

8 7 6 5 4 3 2 1