

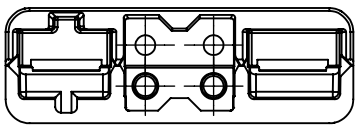
THE INFORMATION CONTAINED IN THIS DRAWING IS THE SOLE PROPERTY OF ANDERSON POWER PRODUCTS. ANY REPRODUCTION IN PART OR WHOLE WITHOUT THE WRITTEN PERMISSION OF ANDERSON POWER PRODUCTS IS PROHIBITED.

Copyright 2011

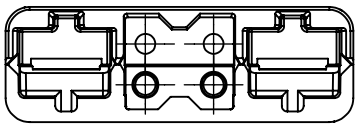
ANDERSON POWER PRODUCTS RESERVES THE RIGHT TO ALTER PRODUCT TYPES, THEIR TECHNICAL DATA, DIMENSION, STYLE AND ACCESSORIES WITHOUT PRIOR NOTIFICATION.

E
D
C
B
A

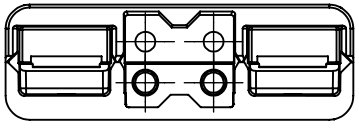
E
D
C
B
A



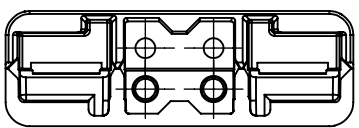
BROWN KEY



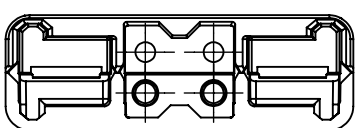
WHITE KEY



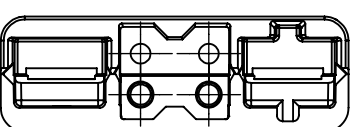
BLUE KEY



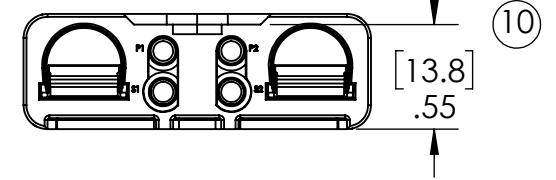
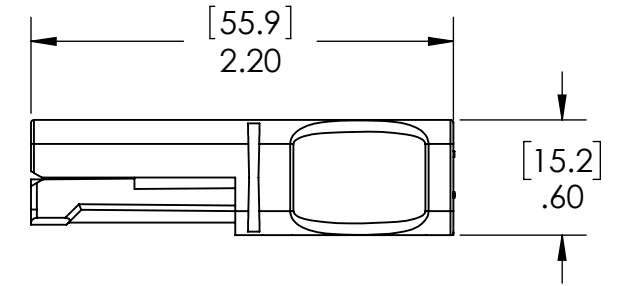
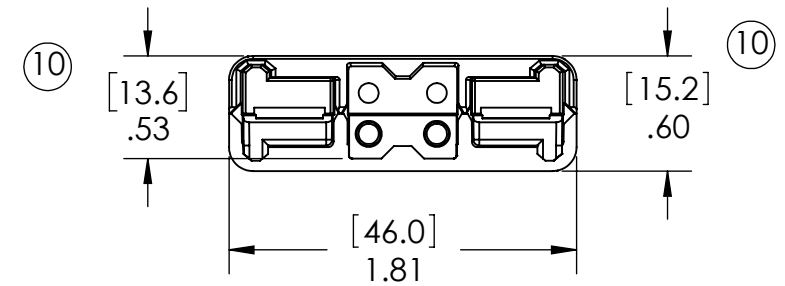
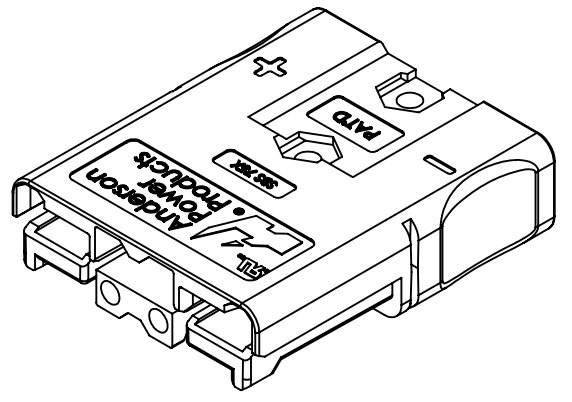
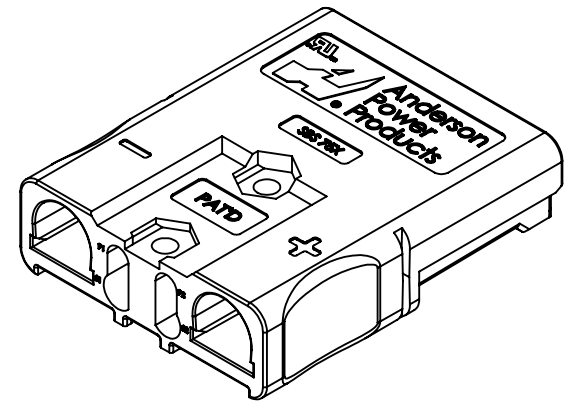
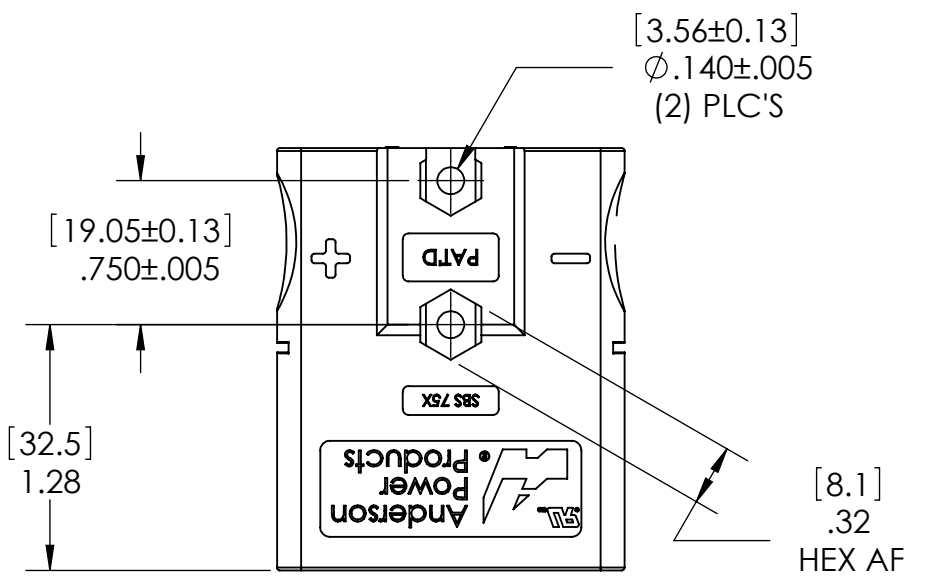
GRAY KEY



BLACK KEY

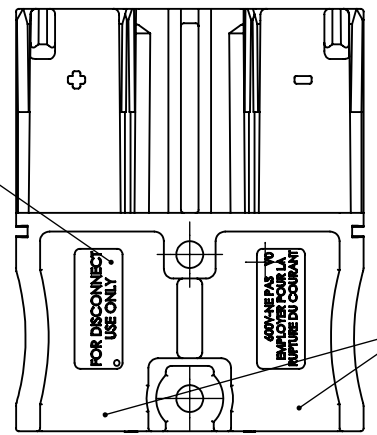


GREEN KEY



- NOTES:
 1. HOUSING MATERIAL: SEE TABLE
 2. SPRING MATERIAL: STAINLESS STEEL
 3. CONTACT FACTORY FOR ADDITIONAL COLORS & KEYS
 4. MANUFACTURING AND AGENCY MARKINGS SHOWN ON THIS SURFACE.

MATERIAL ID LOCATED HERE SEE TABLE



SEE NOTE 4

COLOR	VOLTAGE	APP PART NO.	MATERIAL
GRAY	36	NOT RELEASED	POLYCARBONATE
BLUE	48	NOT RELEASED	POLYCARBONATE
GREEN	72	SBS75XGRN	POLYCARBONATE
		PSBS75XGRN	PBT + PC
BLACK	80	SBS75XBLK	POLYCARBONATE
		PSBS75XBLK	PBT + PC
BROWN	96	SBS75XBRN	POLYCARBONATE
		PSBS75XBRN	PBT + PC
WHITE	192	NOT RELEASED	POLYCARBONATE

REV.	DESCRIPTION	APPRV	DATE
10	ECN 2020-0061 - ADDED DIMENSIONS	CPD	8/27/2020
9	ECN 2016-0112 - ADDED NOTE 4 AND REM. MATERIAL I.D.	CPD	12/19/2016
8	ECN 2016-0088	CPD	9/29/2016
7	ECRN 14926	LLD	6/21/2011
6	ECRN 14911	LLD	5/20/2011
5	ECRN 14848	NTS	3/4/2011
4	ECRN 14589	NTS	3/25/10
3	ECRN 14257	AMS	5/13/08

DIMENSIONS ARE IN:	MM [INCH]	APPROVALS		ANDERSON POWER PRODUCTS		
UNLESS OTHERWISE STATED		DRAWN	9/27/2007	TITLE SBS 75X DUAL POLE HOUSING OUTLINE		
TOLERANCES:		CHECKED	10/2/2007			
DECIMALS (INCH)	DECIMALS (MM)	ANGLES	MFG APPRV			
.XX ± .015	.X ± .38	±.5°	9/27/2007			
.XXX ± .005	.XX ± .13		10/2/2007			
SURFACE FINISH:		QC APPRV	10/2/2007	SIZE	DWG NO.	REV.
MACHINED	64 [1.6]	ENG APPRV	9/27/2007	B	B02044S2	10
MOLDED	32 [0.8]			SCALE	CADFILE	SHEET
MATERIAL:				1:1	02716	1 OF 1
FINISH:				-CAD GENERATED DRAWING- DO NOT MANUALLY UPDATE DO NOT SCALE		

8 7 6 5 4 3 2 1