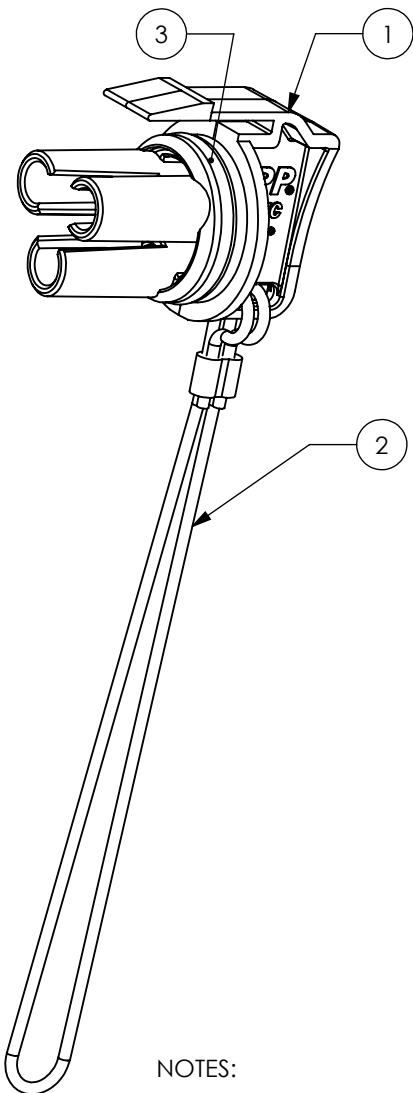


THE INFORMATION CONTAINED IN THIS DRAWING IS THE SOLE PROPERTY OF ANDERSON POWER PRODUCTS. ANY REPRODUCTION IN PART OR WHOLE WITHOUT THE WRITTEN PERMISSION OF ANDERSON POWER PRODUCTS IS PROHIBITED.

Copyright 2013

ANDERSON POWER PRODUCTS RESERVES THE RIGHT TO ALTER PRODUCT TYPES, THEIR TECHNICAL DATA, DIMENSION, STYLE AND ACCESSORIES WITHOUT PRIOR NOTIFICATION.



ITEM NO.	QTY.	DESCRIPTION
1	1	MINI 3PL MALE COVER
2	1	.8-.9mm x 300mm- SINGLE CRIMP
3	1	O-RING

NOTES:

- MATERIALS:
COVER- PC, UL94 V-0, BLK
LANYARD- BRAIDED POLYESTER CORD
O-RING- NBR, BLACK
- FOR USE ON SK1-019M03

DIMENSIONS ARE IN:	MM [INCH]	APPROVALS		 ANDERSON POWER PRODUCTS TITLE SPEC PAK® MINI 3PL MALE COVER- CAT. NO. SK9M-019
UNLESS OTHERWISE STATED		DRAWN		
TOLERANCES:		CMS	11/7/2013	
DECIMALS (INCH)	DECIMALS (MM)	CHECKED	NTS	
.XX ± .02	.X ± .5	ANGLES	±2°	
SURFACE FINISH:		MFG APPRV	CHB	11/8/2013
MACHINED	3.2µ [128µin]	QC APPRV	UFN	11/8/2013
MOLDED	1.6µ [64µin]	ENG APPRV	BD	11/8/2013
MATERIAL: SEE NOTES		FINISH:		
3rd ANGLE PROJECTION		-CAD GENERATED DRAWING- DO NOT MANUALLY UPDATE DO NOT SCALE		SIZE A DWG NO. 115293S1 REV. 1 SCALE NONE CADFILE 04089 SHEET 1 OF 1

REV.	DESCRIPTION	APPRV	DATE
1	ECRN 15815	CMS	4/30/2015
REVISIONS			