

THE INFORMATION CONTAINED IN THIS DRAWING IS THE SOLE PROPERTY OF ANDERSON POWER PRODUCTS. ANY REPRODUCTION IN PART OR WHOLE WITHOUT THE WRITTEN PERMISSION OF ANDERSON POWER PRODUCTS IS PROHIBITED.

Copyright 2013

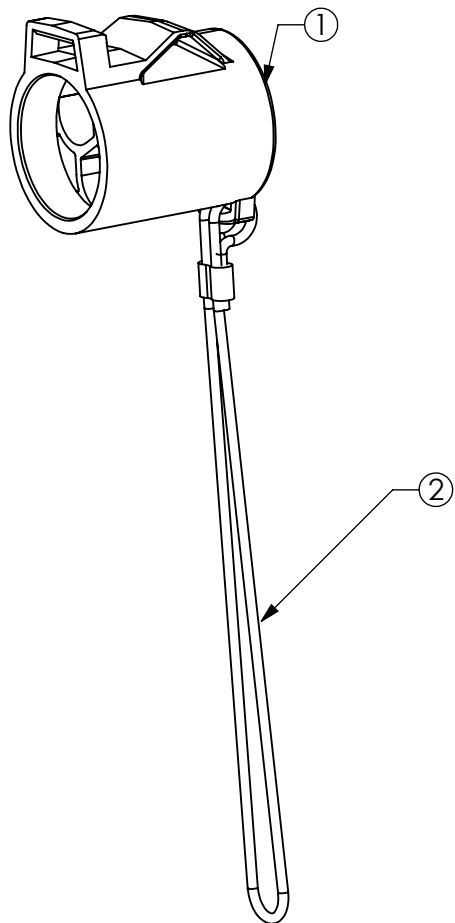
ANDERSON POWER PRODUCTS RESERVES THE RIGHT TO ALTER PRODUCT TYPES, THEIR TECHNICAL DATA, DIMENSION, STYLE AND ACCESSORIES WITHOUT PRIOR NOTIFICATION.

D

C

B

A



ITEM	QTY	DESCRIPTION
1	1	MINI 3PL FEMALE COVER
2	1	BRAIDED CORD LANYARD

D

C

B

A

NOTES:

- MATERIALS:
COVER- PC, UL94 V-0, BLK
LANYARD- BRAIDED POLYESTER CORD
- FOR USE ON SK6-019M03 OR SK7-019M03

DIMENSIONS ARE IN:	MM [INCH]	APPROVALS		ANDERSON POWER PRODUCTS TITLE SPEC PAK® MINI 3 PL FEMALE COVER CAT. NO. SK9F-019	
UNLESS OTHERWISE STATED		DRAWN			
TOLERANCES:		CMS	11/13/2013		
DECIMALS (INCH)	DECIMALS (MM) ANGLES	CHECKED			
.XX ± .02	.X ± .5 ±2°	NTS	11/21/2013		
SURFACE FINISH:		MFG APPRV			
MACHINED	3.2µ [128µin]	CHB	11/22/2013		
MOLDED	1.6µ [64µin]	QC APPRV			
MATERIAL:		UFN	11/22/2013		
SEE NOTES		ENG APPRV			
FINISH:		BD	11/22/2013		
3rd ANGLE PROJECTION		-CAD GENERATED DRAWING- DO NOT MANUALLY UPDATE DO NOT SCALE	SIZE	DWG NO.	REV.
			A	115319S1	1
			SCALE	CADFILE	SHEET
			NONE	04094	1 OF 1

1	ECRN 15815	CMS	4/30/2015
REV.	DESCRIPTION	APPRV	DATE
REVISIONS			