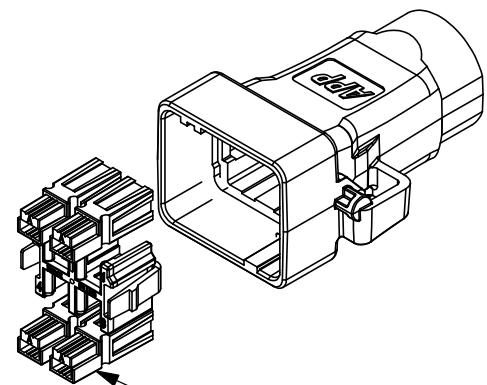
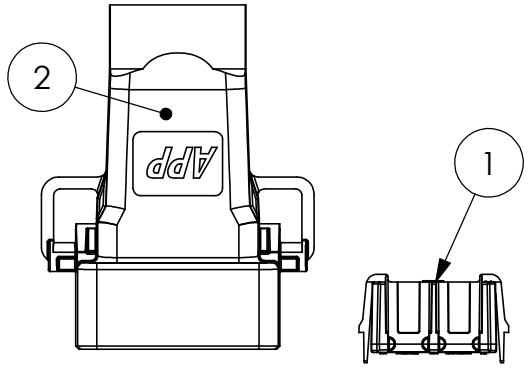
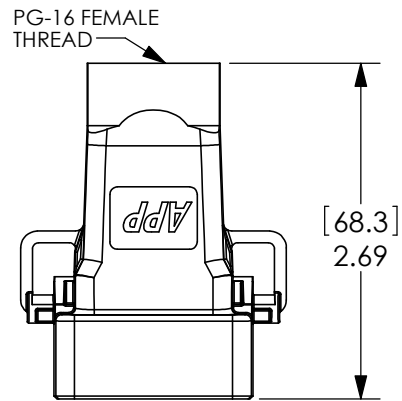


THE INFORMATION CONTAINED IN THIS DRAWING IS THE SOLE PROPERTY OF ANDERSON POWER PRODUCTS. ANY REPRODUCTION IN PART OR WHOLE WITHOUT THE WRITTEN PERMISSION OF ANDERSON POWER PRODUCTS IS PROHIBITED.

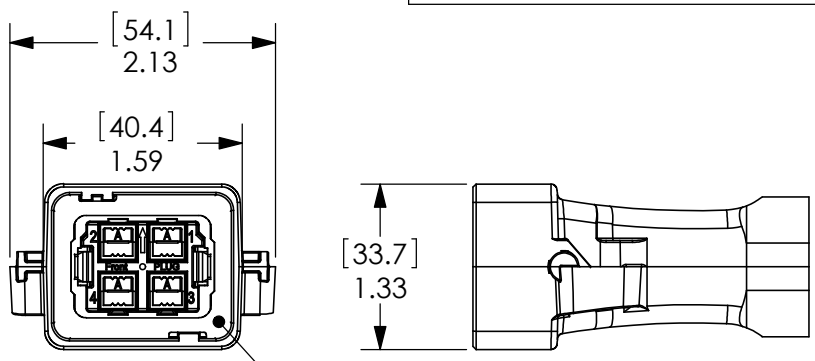
Copyright 2011

ANDERSON POWER PRODUCTS RESERVES THE RIGHT TO ALTER PRODUCT TYPES, THEIR TECHNICAL DATA, DIMENSION, STYLE AND ACCESSORIES WITHOUT PRIOR NOTIFICATION.

ITEM NO.	QTY.	DESCRIPTION
1	1	4 POSITION SPEC PAK® PLUG HOLDER
2	1	SPEC PAK® 4 POSITION SOLAR PLUG ASSEMBLY

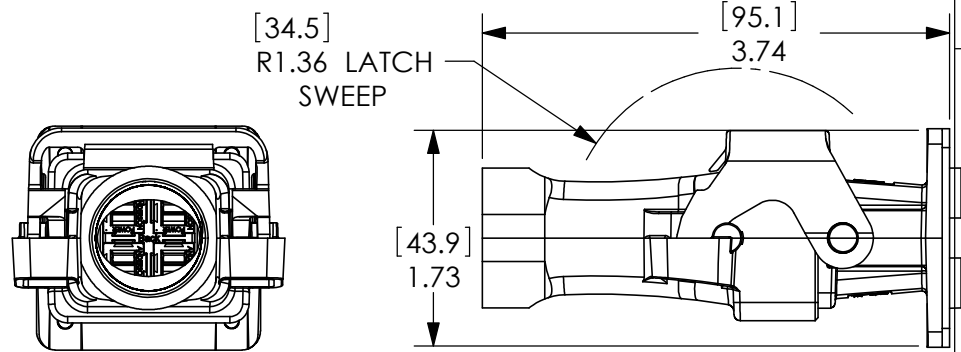


NOTE: POWERPOLES ORDERED SEPARATELY



INTERFACIAL GASKET

PLUG MATED WITH RECEPTACLE, WITH LATCH MOUNTED ON PLUG



NOTES:

- MATERIAL:
A. PLUG HOUSING- PBT/PC BLEND, BLACK
B. HOLDER - POLYCARBONATE, BLACK
C. PLUG GASKET- CLOSED CELL SILICONE FOAM, ORANGE
REFER TO ASSEMBLY INSTRUCTIONS
- FOR USE WITH PP15/45 POWERPOLE CONTACTS AND HOUSINGS ONLY
- PG SEALING GLANDS SOLD SEPARATELY

DIMENSIONS ARE IN:		MM [INCH]		APPROVALS	
UNLESS OTHERWISE STATED				DRAWN	JHN 12/3/2010
TOLERANCES:				CHECKED	TWE 12/3/2010
DECIMALS (INCH)	DECIMALS (MM)	ANGLES		MFG APPRV	CHB 12/3/2010
.XX ±.02	.X ±.5	±2°		QC APPRV	UFN 12/3/2010
SURFACE FINISH:				ENG APPRV	CHB 12/3/2010
MACHINED	128µin [3.2µ]				
MOLDED	64µin [1.6µ]				
MATERIAL: SEE NOTES					
FINISH: N/A					

ANDERSON POWER PRODUCTS

TITLE
SPEC PAK®: PK6-050B04
SOLAR 4 POSITION PP15/45
PLUG KIT

REV.	DESCRIPTION	APPRV	DATE
2	ECRN-14986	JHN	10/7/2011
1	ECRN 14939	CMS	7/14/11

REVISIONS

3rd ANGLE PROJECTION

-CAD GENERATED DRAWING-
DO NOT MANUALLY UPDATE
DO NOT SCALE

SIZE	DWG NO.	REV.
A	114922S1	2
SCALE	CADFILE	SHEET
NONE	03000	1 OF 1