

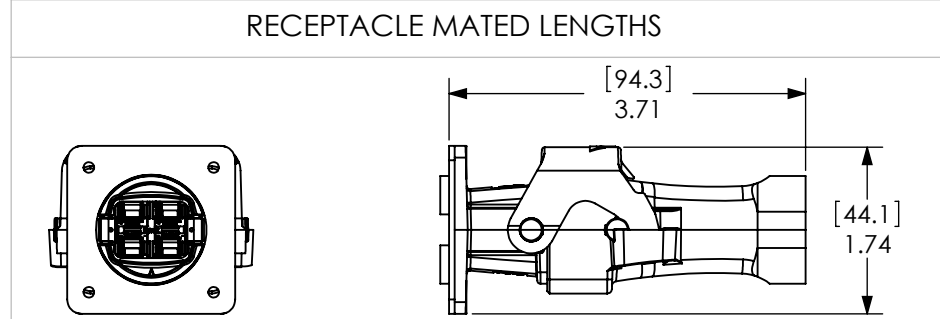
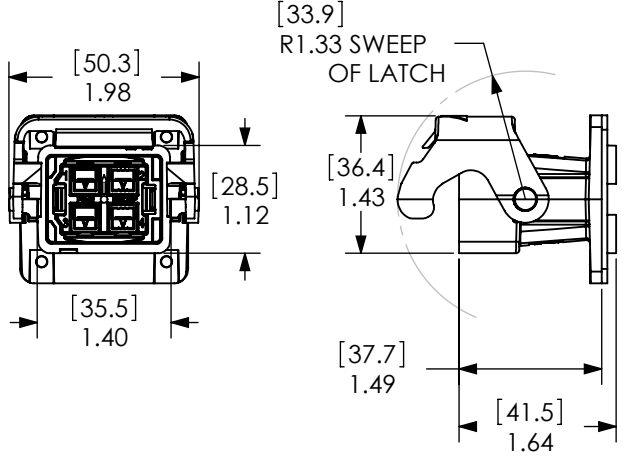
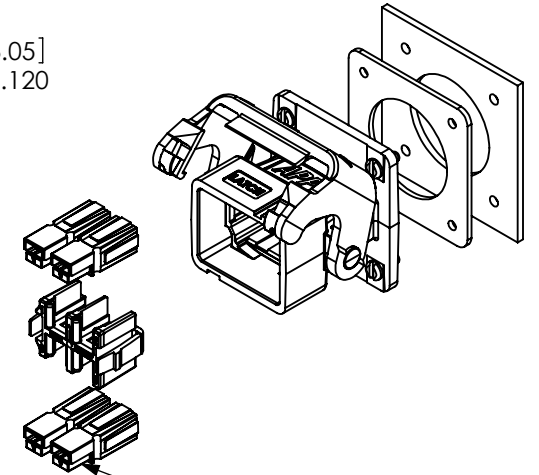
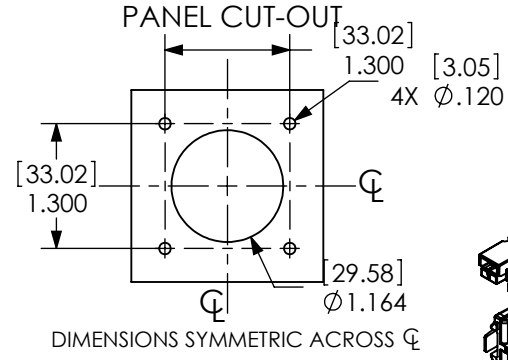
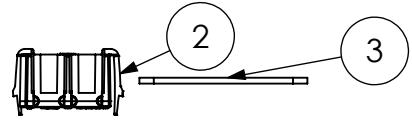
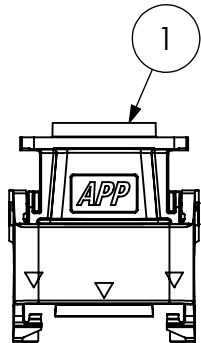
THE INFORMATION CONTAINED IN THIS DRAWING IS THE SOLE PROPERTY OF ANDERSON POWER PRODUCTS. ANY REPRODUCTION IN PART OR WHOLE WITHOUT THE WRITTEN PERMISSION OF ANDERSON POWER PRODUCTS IS PROHIBITED.

Copyright 2010

ANDERSON POWER PRODUCTS RESERVES THE RIGHT TO ALTER PRODUCT TYPES, THEIR TECHNICAL DATA, DIMENSION, STYLE AND ACCESSORIES WITHOUT PRIOR NOTIFICATION.

RECEPTACLE KIT

f	QTY.	DESCRIPTION
1	1	SPEC PAK® 4 POSITION PANEL MOUNT RECEPTACLE WITH SOLAR LATCH ASSEMBLY
2	1	SPEC PAK® RECEPTACLE POWERPOLE® HOLDER
3	1	SOLAR SPEC PAK® 4 POSITION PANEL MOUNT RECEPTACLE PANEL GASKET



- NOTES:
- MATERIAL:
A. RECEPTACLE HOUSING- GLASS FILLED PBT, BLACK
B. LATCH - PC-PBT BLEND, BLACK
C. HOLDER- POLYCARBONATE, BLACK
D. PANEL GASKET- EPDM, BLACK
 - REFER TO ASSEMBLY INSTRUCTIONS
 - FOR USE WITH PP15/45 POWERPOLE® CONTACTS AND HOUSINGS ONLY

REV.	DESCRIPTION	APPRV	DATE
3	ECRN 15220: EPDM WAS NBR	CMS	8/16/2012
2	ECRN 15194: ADD ARTWORK FOR LATCH	CMS	6/29/2012
1	ECRN 14986	JHN	10/7/2011

DIMENSIONS ARE IN:	INCH [MM]	APPROVALS		<p>ANDERSON POWER PRODUCTS</p> <p>TITLE</p> <p>SOLAR SPEC PAK®: PK2-050B04 4 POSITION, PP15/45 PANEL MOUNT RECEPTACLE KIT</p>	
UNLESS OTHERWISE STATED		DRAWN	JHN 12/8/2010		
TOLERANCES:		CHECKED	MM 12/9/2010		
DECIMALS (INCH) DECIMALS (MM) ANGLES .XX ±.02 .X ±.5 ±2°		MFG APPRV	CHB 12/9/2010		
SURFACE FINISH:		QC APPRV	UFN 12/9/2010		
MACHINED 128 [3.2]✓		ENG APPRV	BD 12/9/2010	SIZE	A
MOLDED 64 [1.6]✓				DWG NO.	114924S1
MATERIAL: SEE NOTES				REV.	3
FINISH: N/A				SCALE	NONE
		-CAD GENERATED DRAWING- DO NOT MANUALLY UPDATE DO NOT SCALE		CADFILE	03002
				SHEET	1 OF 1