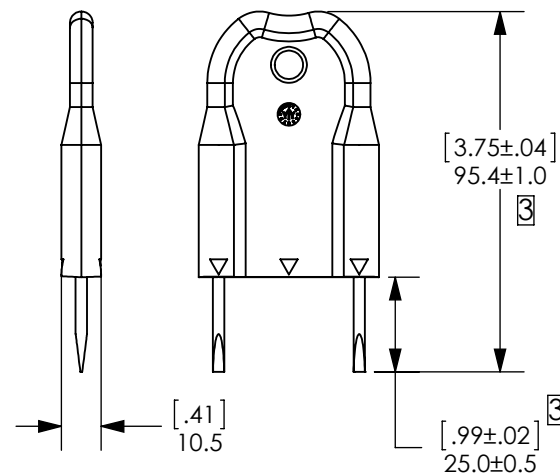
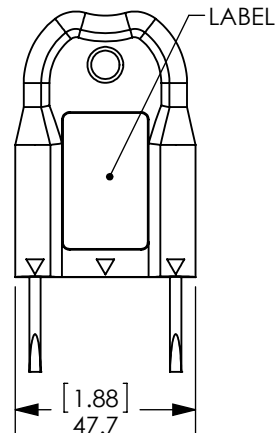
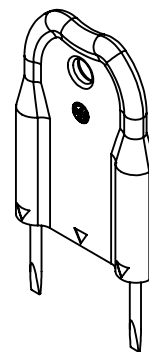
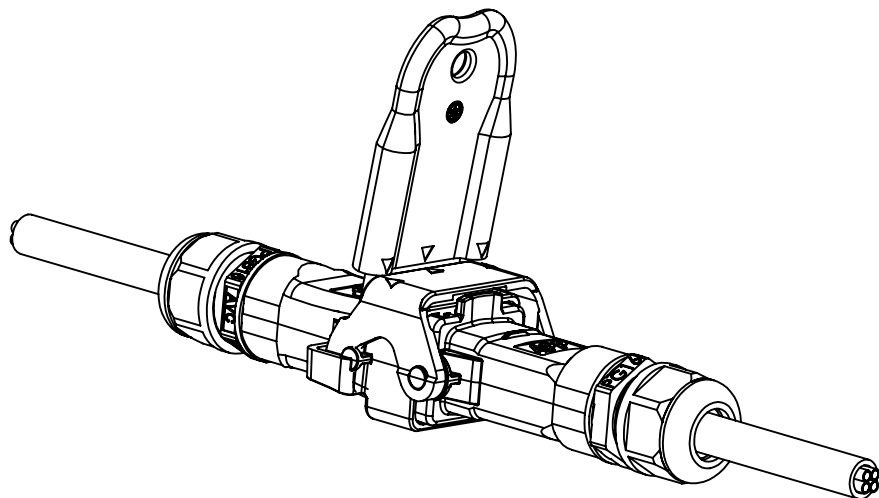


THE INFORMATION CONTAINED IN THIS DRAWING IS THE SOLE PROPERTY OF ANDERSON POWER PRODUCTS. ANY REPRODUCTION IN PART OR WHOLE WITHOUT THE WRITTEN PERMISSION OF ANDERSON POWER PRODUCTS IS PROHIBITED.

**Copyright 2012**

ANDERSON POWER PRODUCTS RESERVES THE RIGHT TO ALTER PRODUCT TYPES, THEIR TECHNICAL DATA, DIMENSION, STYLE AND ACCESSORIES WITHOUT PRIOR NOTIFICATION.

SOLAR TOOL SHOWN IN POSITION TO RELEASE LATCH



PART NUMBER: PKT-050T01

NOTES:

1. PLASTIC BODY MATERIAL IS POLYPROPYLENE.
2. METAL SHAFTS- HARDENED STEEL, CHROME PLATED

| REV.      | DESCRIPTION                                      | APPRV | DATE       |
|-----------|--|-------|------------|
| 3         | ECRN 15547: ADD DIM 25 ± .50, 95.4 ± 1 WAS ± .50 | CMS   | 1/13/2014  |
| 2         | ECRN 15532:                                      | CMS   | 12/11/2013 |
| 1         | ECRN 15165: ADD P/N, ADD VIEW                    | CMS   | 6/11/2012  |
| REVISIONS |  |       |            |

|                          |               |   |           |  |
|--------------------------|---------------|---|-----------|--|
| DIMENSIONS ARE IN:       | MM [INCH]     | <b>APPROVALS</b>  |           | <br><b>ANDERSON POWER PRODUCTS</b>                     |
| UNLESS OTHERWISE STATED  |               | <b>DRAWN</b>  |           |  |
| TOLERANCES:              |               | JHN   | 2/29/2012 | <b>TITLE</b><br>SPEC PAK® SPECIALTY SOLAR RELEASE TOOL |
| DECIMALS (INCH)          | DECIMALS (MM) | ANGLES  |           |  |
| .XX ± .02                | .X ± .5       | ± 2°  |           |  |
| SURFACE FINISH:          |               |   |           |  |
| MACHINED                 | 3.2µ [128µin] |   |           |  |
| MOLDED                   | 1.6µ [64µin]  |   |           |  |
| MATERIAL:                |               | <b>QC APPRV</b>   |           |  |
| SEE NOTES                |               | UFN   | 4/18/2012 |  |
| FINISH:                  |               | <b>ENG APPRV</b>  |           |  |
| N/A                      |               | BD  | 4/18/2012 |  |
| <br>3rd ANGLE PROJECTION |               | -CAD GENERATED DRAWING-<br>DO NOT MANUALLY UPDATE<br>DO NOT SCALE |           | <b>SIZE</b><br>A                                       |
|                          |               | <b>DWG NO.</b><br>115149S1  |           | <b>REV.</b><br>3                                       |
|                          |               | <b>SCALE</b><br>NONE  |           | <b>CADFILE</b><br>03676                                |
|                          |               | <b>SHEET</b><br>1 OF 1  |           |  |