

Anderson Power Products® TP0001 pneumatic crimp tool offers versatility in crimping range and configurability in shop setup. The tool is compact and lightweight which allows it to be used as either a hand-held tool or setup on a bench with optional accessories. A unique 8 step machined steel block holds accurate calibration far longer than the usual adjustment screw method resulting in high output with less downtime.

Features

- **Designed with up to 8 die closures which can be changed by selector knob**

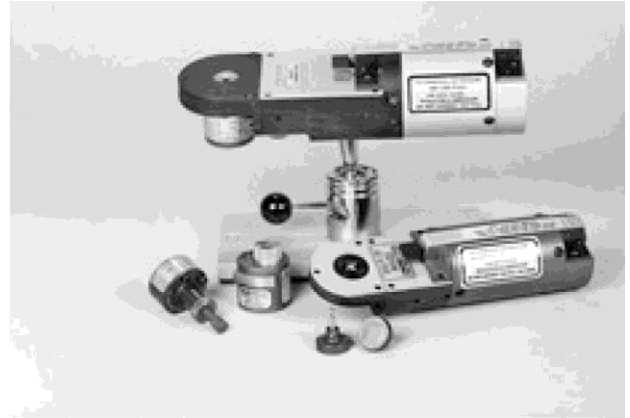
Allows the tool to be quickly configured to the appropriate die

- **Highly configurable in the shop**

Can be used as a hand tool or combined with the multiple available accessories for bench mounting

- **Optional bench mount can be adjusted to virtually any angle**

Provides ease of use and flexibility in configuration



- **Compatible with most air compressors**

Has a industry typical working air pressure of 80 – 120 PSI

- **Accommodates upper range Mil Standard turrets & positioners**

Tool can be used for crimping multiple connection solutions

SPECIFICATIONS

Size		Crimping Range		Accommodations
Length (in)	10	Contacts Size (AWG)	12 to 20	Tool will accommodate all Turret Heads and Single Position Heads relating to M22520/1-01 Mil Standard tool frame.
(mm)	254	(mm)	2.5 to 0.75	
Width (in)	2.75	Wire Size (AWG)	12 to 26	
(mm)	69.85	(mm)	2.5 to 0.45	
Weight (pounds)	3.1			
(N)	44.48			

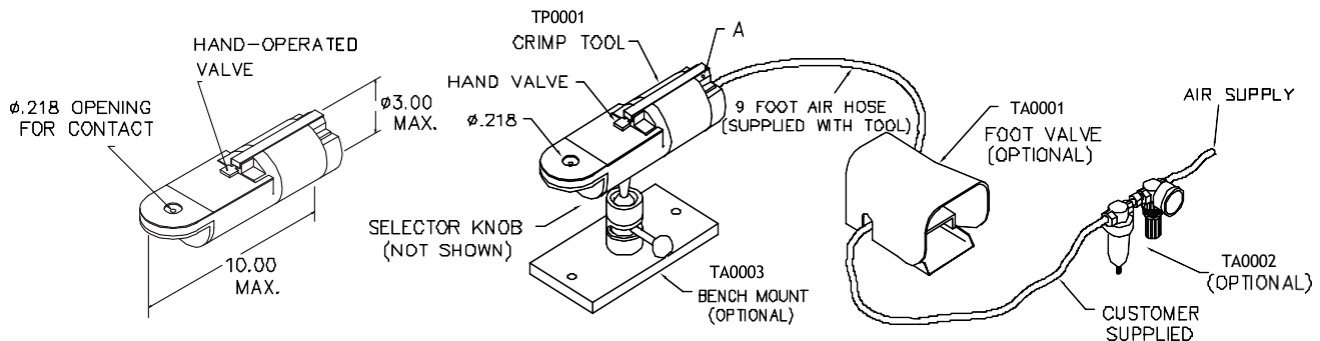
ORDERING INFORMATION

Crimp Tool

APP Part Number	Description
TP0001	Pneumatic crimp tool
TA0001	Foot pedal for TP0001
TA0002	Air regulator/filter
TA0003	Bench mount

Turret

APP Part Number	Military Part Number	Description
TL0001	N/A	Turret - PowerMod Pins, #12 - #24 AWG (4.0 - 0.25 mm ²)
TL0002	N/A	Turret - PowerMod Sockets, #12 - #24 AWG (4.0 - 0.25 mm ²)
TL0003	M22520/1-02	Turret - Power Drawer contacts, #12, #16 & #20 AWG (4.0, 1.3 & 0.5 mm ²)
TL0005	N/A	Positioner - PPMX contact, #20 - #24 AWG (0.5 - 0.25 mm ²)
TP1920	N/A	Positioner - 6P Mini SPEC Pak® Socket Contacts, #20 - #20 AWG (0.50 to 0.25 mm ²)
TP1921	N/A	Positioner - 6P Mini SPEC Pak® Pin Contacts, #20 - #20 AWG (0.50 to 0.25 mm ²)



Measurements in inches

Caution

Do not crimp hardened objects as damage can occur to the tool or die. Anderson crimp specifications are valid only when used with Anderson terminals and tooling. The user of the tool is responsible for determining if the crimps produced meet the quality requirements of the application.

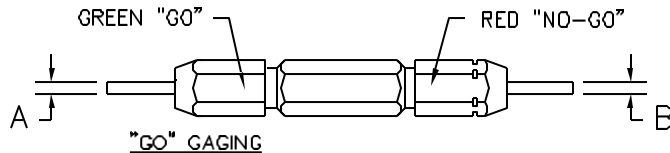
Foot Valve Operation

Attach foot valve between air supply and tool air inlet. Depress hand valve and lock in down position with set screw (A) using 1/16 hex Allen® wrench.

CAUTION!

DO NOT CRIMP GAGE!

GAGING INSTRUCTIONS



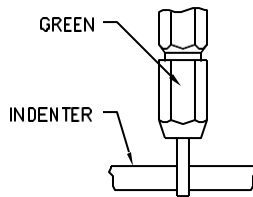
"GO" GAGING

Operate tool to fully closed position. Insert "GO" gage end as shown. Gage must pass freely between indenter tips.

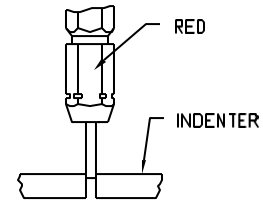
GAGE PART NO.	A GO DIA	B NO-GO DIA	SELECTOR NO.
G125	.0390	.0440	4

"NO-GO" GAGING

Operate tool to fully closed position. Insert "NO GO" gage end as shown. The "NO GO" may partially enter the indenter opening, but must not pass completely through the opening.



SELECTOR NO.	A ±.0001 GO DIA	B ±.0001 NO-GO DIA
1	.0280	.0330
2	.0320	.0370
3	.0360	.0410
4	.0390	.0440
5	.0450	.0500
6	.0520	.0570
7	.0590	.0640
8	.0680	.0730



Checking the full cycle ratcheting mechanism

The ratcheting mechanism can be checked for proper functioning by the following procedure.

1. Adjust the air line pressure to 15 p.s.i.
2. Using a size #20AWG contact with a size #20AWG wire, operate the tool until the indenters stop. The indenters will not reach the fully closed position and the contact will be locked in if the ratcheting mechanism is functioning properly.
3. To release the partially crimped contact, increase the air line pressure to 80-120 p.s.i. and operate. The tool will then complete the crimp allowing the indenters to return to the fully open position.

Releasing a partially crimped contact

To release a partially crimped contact, proceed as follows:

1. Increase the air pressure to 120 p.s.i. and operate the unit. If increasing the air pressure does not release the contact, proceed to step 2.
2. Turn the selector knob clockwise to the highest lockable setting. Selector knob must be in the locked position before proceeding. Cycle the unit.
3. If release has not been achieved after several attempts, contact the manufacturer to avoid damaging the tool.

Care of Tool

There is virtually no maintenance required. However, it is a good practice to keep indenter tips free of residual color band deposits and other debris. A small wire brush may be used for this purpose.

We strongly recommend that you:

- DO NOT immerse tools in cleaning solution.
- DO NOT spray oil into tool to lubricate.
- DO NOT attempt to disassemble tool or make repairs.

This is a precision crimping tool and should be handled as such. Contact manufacturer for repair and calibration services.