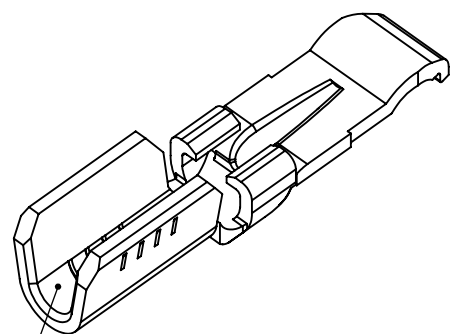


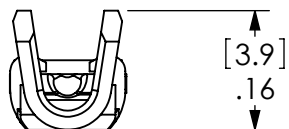
THE INFORMATION CONTAINED IN THIS DRAWING IS THE SOLE PROPERTY OF ANDERSON POWER PRODUCTS. ANY REPRODUCTION IN PART OR WHOLE WITHOUT THE WRITTEN PERMISSION OF ANDERSON POWER PRODUCTS IS PROHIBITED.

Copyright 2009

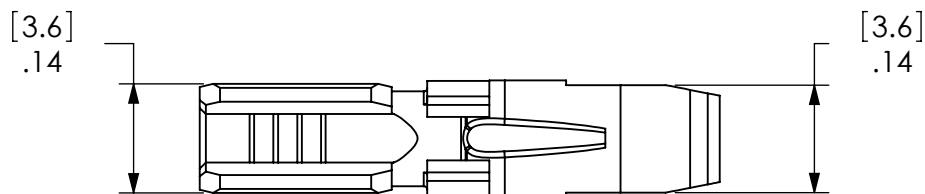
ANDERSON POWER PRODUCTS RESERVES THE RIGHT TO ALTER PRODUCT TYPES, THEIR TECHNICAL DATA, DIMENSION, STYLE AND ACCESSORIES WITHOUT PRIOR NOTIFICATION.



BARREL SIZED FOR #16-20 AWG WIRE

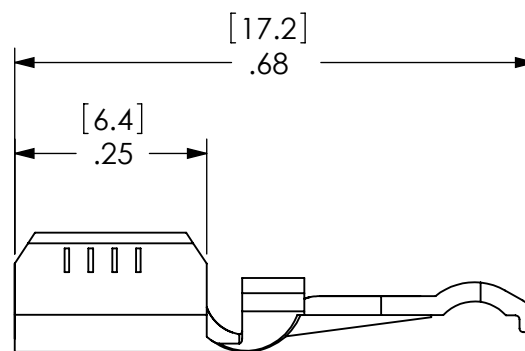


[3.9]  
.16



[3.6]  
.14

[3.6]  
.14



[17.2]  
.68

[6.4]  
.25

DIMENSIONS ARE IN:	INCH[MM]	<b>APPROVALS</b>	
UNLESS OTHERWISE STATED		DRAWN	NTS 6/18/09
TOLERANCES:		CHECKED	DJD 6/18/09
DECIMALS (INCH)	DECIMALS (MM)	ANGLES	MFG APP
.XX ± .02	.X ± .5	±2°	CHB 6/18/09
SURFACE FINISH:		QC APP	UFN 6/18/09
MACHINED	128 [3.2]	ENG APP	BD 6/18/09
MOLDED	64 [1.6]	MATERIAL: COPPER ALLOY	
FINISH: SILVER PLATE		TITLE	

<b>ANDERSON POWER PRODUCTS</b>		
CAT. NO. 262G2		
PP15 REEL CONTACT FOR TYPE "F" CRIMP		
SIZE	DWG NO.	REV.
A/A4	112718S8	0
SCALE	CADFILE	SHEET
NONE	02927	1 OF 1

REV.	DESCRIPTION OF CHANGES	APPROVED	DATE
8			
7			
6			
5			

3rd ANGLE PROJECTION

-CAD GENERATED DRAWING-  
DO NOT MANUALLY UPDATE  
DO NOT SCALE