

8 7 6 5 4 3 2 1

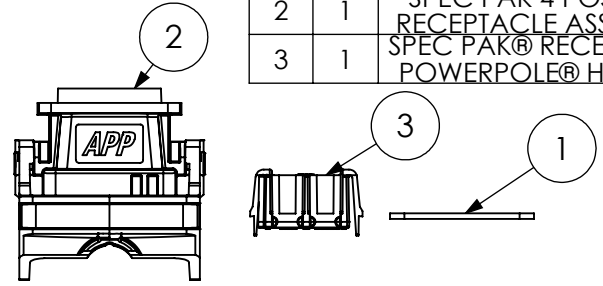
THE INFORMATION CONTAINED IN THIS DRAWING IS THE SOLE PROPERTY OF ANDERSON POWER PRODUCTS. ANY REPRODUCTION IN PART OR WHOLE WITHOUT THE WRITTEN PERMISSION OF ANDERSON POWER PRODUCTS IS PROHIBITED.

Copyright 2010

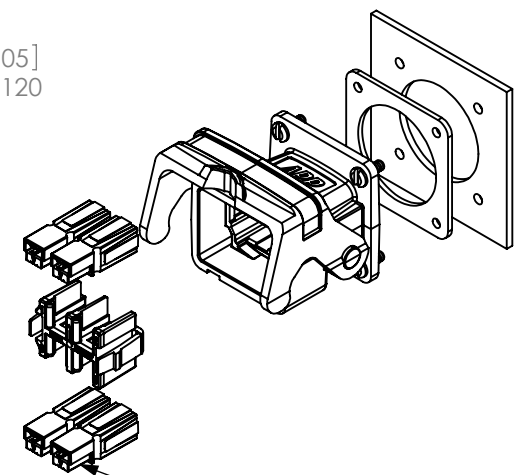
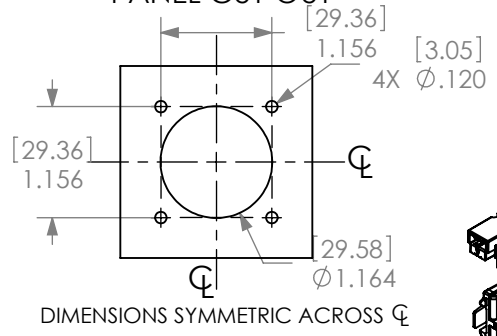
ANDERSON POWER PRODUCTS RESERVES THE RIGHT TO ALTER PRODUCT TYPES, THEIR TECHNICAL DATA, DIMENSION, STYLE AND ACCESSORIES WITHOUT PRIOR NOTIFICATION.

RECEPTACLE KIT

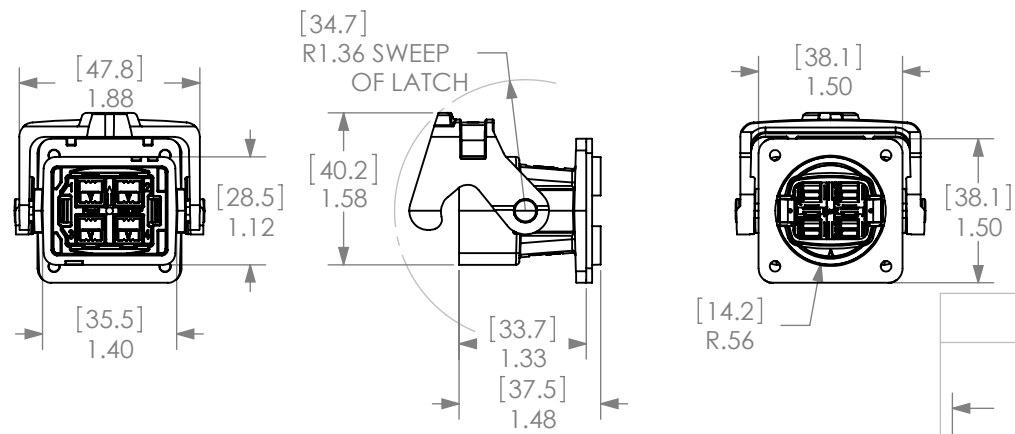
ITEM	QTY.	DESCRIPTION
1	1	RECEPTACLE GASKET
2	1	SPEC PAK 4 POSITION RECEPTACLE ASSEMBLY
3	1	SPEC PAK® RECEPTACLE POWERPOLE® HOLDER



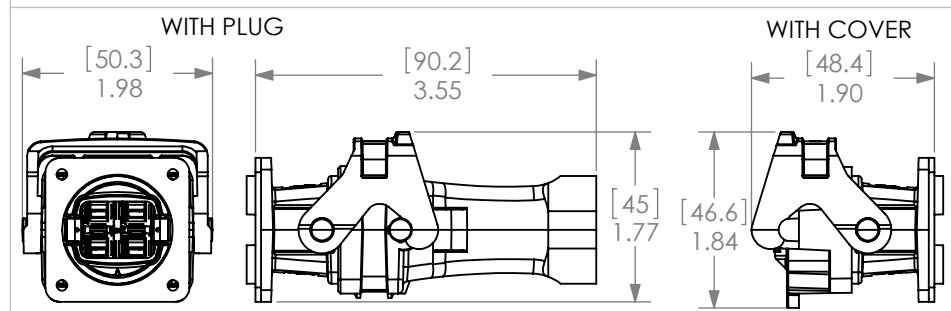
PANEL CUT-OUT



NOTE: POWERPOLES ORDERED SEPARATELY



RECEPTACLE MATED LENGTHS



- NOTES:
- MATERIAL:
 A. RECEPTACLE HOUSING- GLASS FILLED PBT, BLACK
 B. HOLDER- POLYCARBONATE, BLACK
 C. PANEL GASKET- NBR, BLACK
 REFER TO ASSEMBLY INSTRUCTIONS
 - FOR USE WITH PP15/45 POWERPOLE CONTACTS AND HOUSINGS ONLY

REV.	DESCRIPTION	APPRV	DATE
3	ECRN-15086	TWE	3/13/2012
2	ECRN 14894	JHN	7/20/2011
1	ECRN 14753: MINOR REFERENCE ERRORS FIXED	JHN	12/7/2010

REVISIONS

DIMENSIONS ARE IN:	INCH [MM]	APPROVALS		<p>ANDERSON POWER PRODUCTS</p>
UNLESS OTHERWISE STATED		DRAWN	CMS 4/6/2009	
TOLERANCES:		CHECKED	DJD 4/7/2009	
DECIMALS (INCH) .XX ±.02		MFG APPRV	CHB 4/8/2009	
SURFACE FINISH:		QC APPRV	UFN 4/7/2009	TITLE SPEC PAK: SK2-050B04 POSITION, PP15/45 RECEPTACLE KIT
MACHINED 128 [3.2] ✓		ENG APPRV	DAM 4/7/2009	
MOLDED 64 [1.6] ✓		MATERIAL: SEE NOTES		SIZE A DWG NO. 114854S1 REV. 3
FINISH: N/A		-CAD GENERATED DRAWING- DO NOT MANUALLY UPDATE DO NOT SCALE		SCALE NONE CADFILE 02892 SHEET 1 OF 1

8 7 6 5 4 3 2 1