

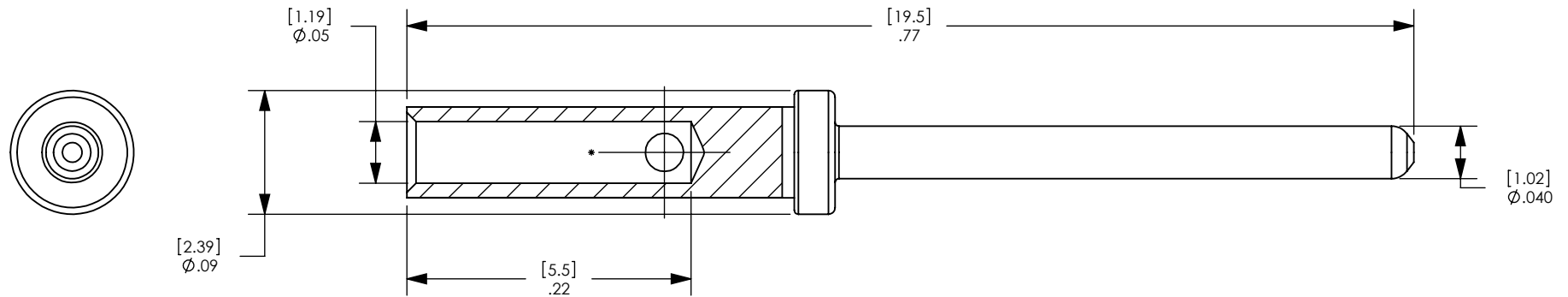
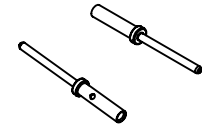
8 | 7 | 6 | 5 | 4 | 3 | 2 | 1

THE INFORMATION CONTAINED IN THIS DRAWING IS THE SOLE PROPERTY OF ANDERSON POWER PRODUCTS. ANY REPRODUCTION IN PART OR WHOLE WITHOUT THE WRITTEN PERMISSION OF ANDERSON POWER PRODUCTS IS PROHIBITED.

**Copyright 2010**

ANDERSON POWER PRODUCTS RESERVES THE RIGHT TO ALTER PRODUCT TYPES, THEIR TECHNICAL DATA, DIMENSION, STYLE AND ACCESSORIES WITHOUT PRIOR NOTIFICATION.

ACTUAL SIZE



PART NO. 4803G3-BK

- NOTES:  
 1. MATERIAL: BRASS  
 2. PLATING: GOLD PLATE

DIMENSIONS ARE IN: INCH[MM]		<b>APPROVALS</b>		<b>ANDERSON POWER PRODUCTS</b>		
UNLESS OTHERWISE STATED		<b>DRAWN</b>	LLD	12/23/10	<b>TITLE</b> PPMX #20-24 AWG CRIMP PIN	
<b>TOLERANCES:</b>		<b>CHECKED</b>	CMS	12/23/10		
DECIMALS (INCH)	DECIMALS (MM)	ANGLES	<b>MFG APP</b>	CHB		12/23/10
.XX ± .015	X ± .1	±.5°	<b>QC APP</b>	UFN		1/3/11
.XXX ± .005	.XX ± .05		<b>ENG APP</b>	BD	1/3/11	
<b>SURFACE FINISH:</b>		<b>MATERIAL:</b>		<b>SIZE</b>	<b>DWG NO.</b>	
MACHINED	128 [3.2] ✓	SEE NOTES		A/A4	114943S1	
MOLDED	64 [1.6] ✓	<b>FINISH:</b>		<b>SCALE</b>	<b>REV.</b>	
SEE NOTES		SEE NOTES		8:1	0	
		-CAD GENERATED DRAWING- DO NOT MANUALLY UPDATE DO NOT SCALE		<b>CADFILE</b>	<b>SHEET</b>	
				03363	1 OF 1	

REV.	DESCRIPTION	APPRV	DATE
REVISIONS			

8 | 7 | 6 | 5 | 4 | 3 | 2 | 1