

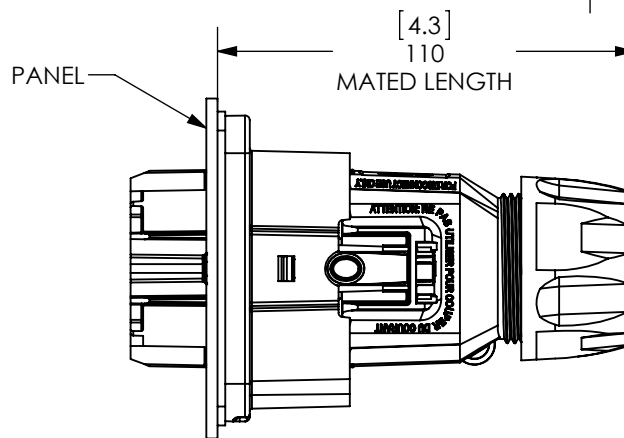
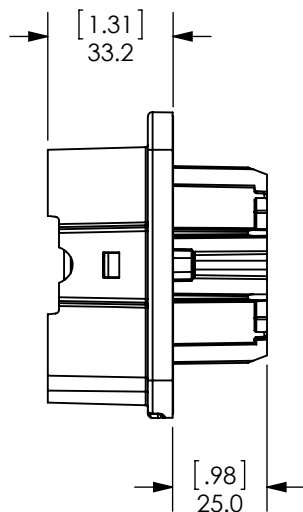
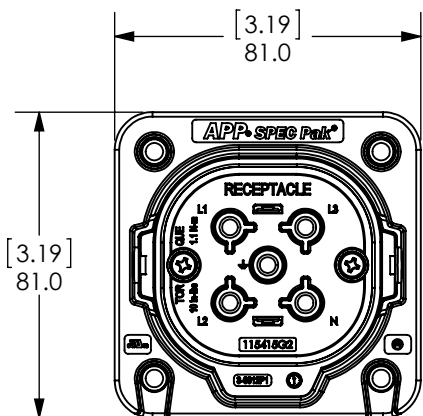
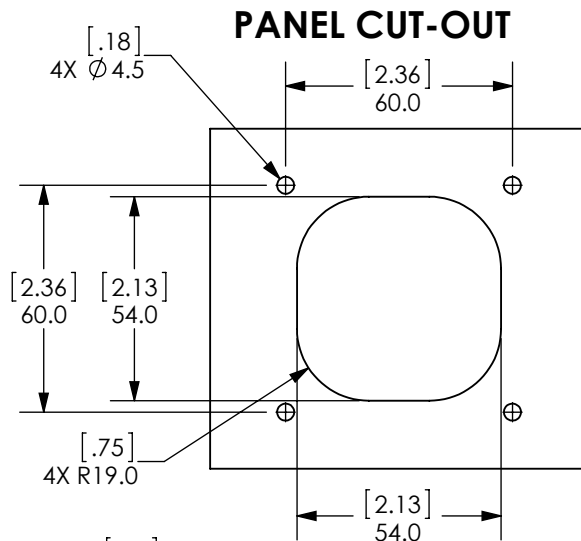
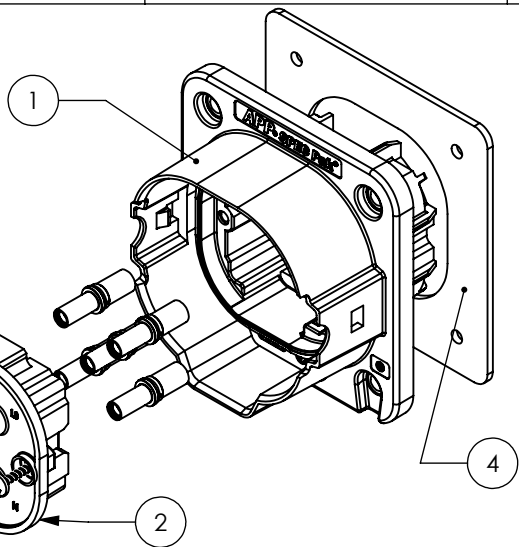
THE INFORMATION CONTAINED IN THIS DRAWING IS THE SOLE PROPERTY OF ANDERSON POWER PRODUCTS. ANY REPRODUCTION IN PART OR WHOLE WITHOUT THE WRITTEN PERMISSION OF ANDERSON POWER PRODUCTS IS PROHIBITED.

Copyright 2015

ANDERSON POWER PRODUCTS RESERVES THE RIGHT TO ALTER PRODUCT TYPES, THEIR TECHNICAL DATA, DIMENSION, STYLE AND ACCESSORIES WITHOUT PRIOR NOTIFICATION.

COMPONENTS INCLUDED

ITEM	QTY	DESCRIPTION
1	1	PANEL RECEPTACLE SHELL WITH O-RING
2	1	5 POSITION RECEPTACLE HOLDER FOR POWER DRAWER CONTACTS (P/N 115415G2)
3	2	M3.5 SELF-TAPPING SCREWS
4	1	PANEL GASKET



KIT PART NUMBER: SK2-076D05

NOTES:

- MATERIALS**
 RECEPTACLE SHELL - PBT, BLACK
 HOLDER - PBT, BLACK
 SCREWS - STEEL, ZINC PLATE
 PANEL GASKET: NBR, BLACK
- FOR USE WITH POWER DRAWER CONTACTS (ORDERED SEPARATELY)
- REFER TO ASSEMBLY INSTRUCTIONS (1S6638)
- MOUNTING SCREWS (M4 OR #8) NOT INCLUDED

DIMENSIONS ARE IN:	MM [INCH]	<i>APPROVALS</i>		ANDERSON POWER PRODUCTS
UNLESS OTHERWISE STATED		DRAWN	3/19/2015	
TOLERANCES:		NTS		TITLE MID POWER SPEC PAK® PANEL RECEPTACLE 5 POSITION
DECIMALS (INCH)	DECIMALS (MM)	CHECKED		
.XX ±.02	.X ±.5			SIZE A
SURFACE FINISH:		MFG APPRV		
MACHINED 3.2µ [128µin]		QC APPRV		DWG NO. 115160S4
MOLDED 1.6µ [64µin]		ENG APPRV		
MATERIAL: SEE NOTES				REV. A
FINISH:				
3rd ANGLE PROJECTION		-CAD GENERATED DRAWING- DO NOT MANUALLY UPDATE DO NOT SCALE		SCALE NONE
				CADFILE 04486
				SHEET 1 OF 1

REV.	DESCRIPTION	APPRV	DATE
REVISIONS			