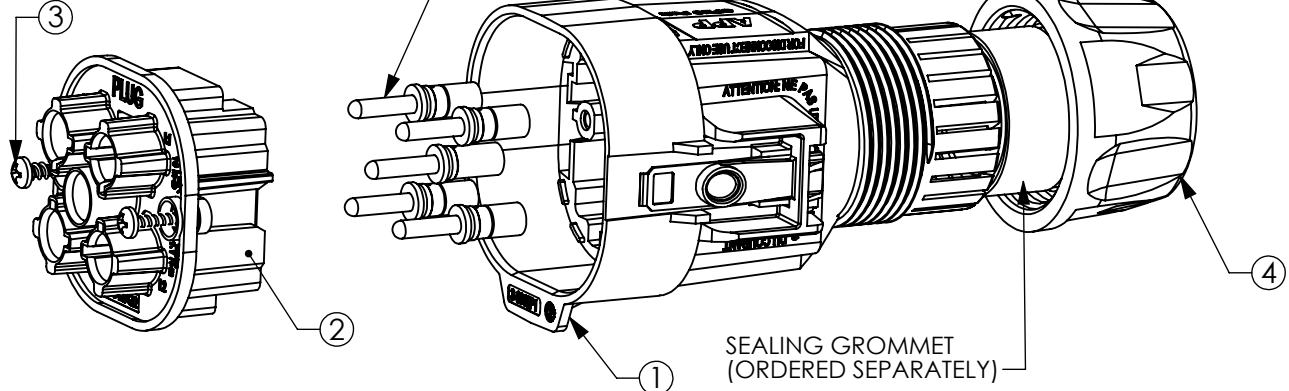


THE INFORMATION CONTAINED IN THIS DRAWING IS THE SOLE PROPERTY OF ANDERSON POWER PRODUCTS. ANY REPRODUCTION IN PART OR WHOLE WITHOUT THE WRITTEN PERMISSION OF ANDERSON POWER PRODUCTS IS PROHIBITED.

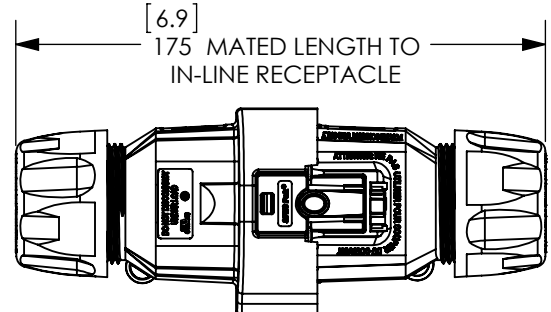
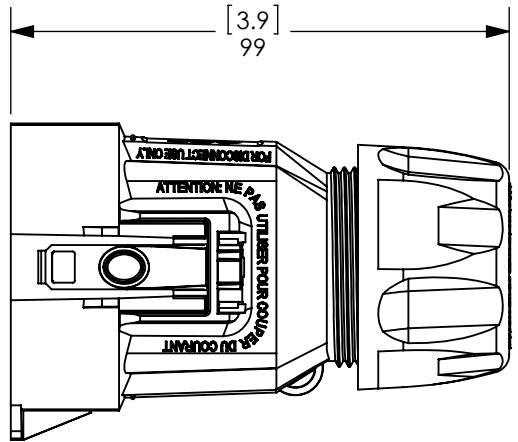
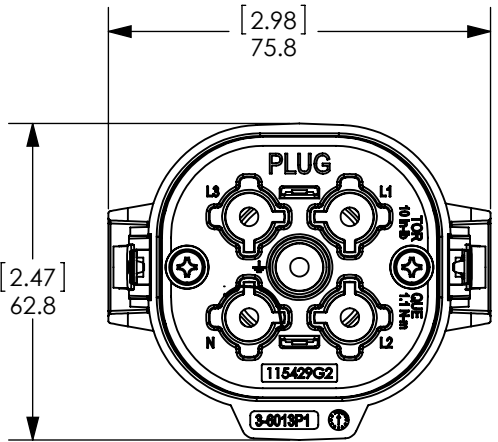
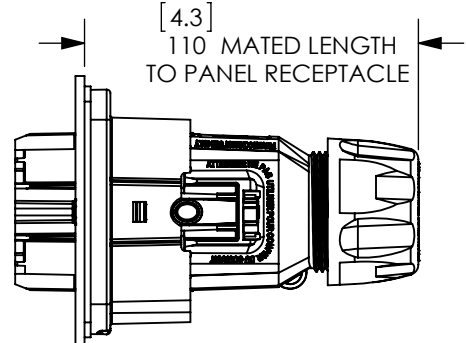
**Copyright 2015**

ANDERSON POWER PRODUCTS RESERVES THE RIGHT TO ALTER PRODUCT TYPES, THEIR TECHNICAL DATA, DIMENSION, STYLE AND ACCESSORIES WITHOUT PRIOR NOTIFICATION.

POWER DRAWER CONTACTS ORDERED SEPARATELY



COMPONENTS INCLUDED		
ITEM	QTY	DESCRIPTION
1	1	PLUG SHELL WITH LATCHES
2	1	5 POSITION PLUG HOLDER FOR POWER DRAWER CONTACTS (P/N 115429G2)
3	2	M3.5 SELF-TAPPING SCREWS
4	1	SEAL NUT



**KIT PART NO. SK6-076D05**

NOTES:

- MATERIALS:  
 PLUG SHELL- PBT, BLACK  
 LATCHES- STAINLESS STEEL  
 HOLDER - PBT, BLACK  
 SCREWS- STEEL, ZINC PLATE  
 NUT - PBT, BLACK
- FOR USE WITH POWER DRAWER CONTACTS (ORDERED SEPARATELY)
- REFER TO ASSEMBLY INSTRUCTIONS (1S6637)

DIMENSIONS ARE IN:	MM [INCH]
UNLESS OTHERWISE STATED	
TOLERANCES:	
DECIMALS (INCH)	DECIMALS (MM) ANGLES
.XX ± .02	.X ± .5 ± 2°
SURFACE FINISH:	
MACHINED	3.2µ [128µin] ✓
MOLDED	1.6µ [64µin] ✓
MATERIAL: SEE NOTES	
FINISH:	

APPROVALS	
DRAWN	NTS 3/19/2015
CHECKED	
MFG APPRV	
QC APPRV	
ENG APPRV	

**ANDERSON POWER PRODUCTS**

TITLE  
**MID POWER SPEC PAK®  
 5 POSITION  
 PLUG KIT**

SIZE A DWG NO. 115161S4 REV. B

REV.	DESCRIPTION	APPRV	DATE
REVISIONS			

<p>3rd ANGLE PROJECTION</p>	<p>-CAD GENERATED DRAWING-                  DO NOT MANUALLY UPDATE                  DO NOT SCALE</p>	<p>SCALE NONE</p>	<p>CADFILE 04487</p>	<p>SHEET 1 OF 1</p>
-----------------------------	--	-------------------	----------------------	---------------------