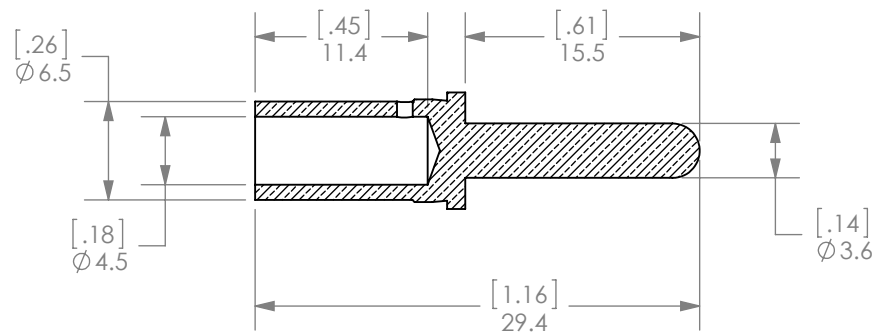
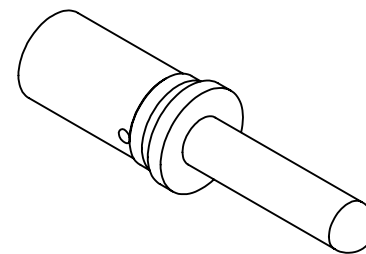
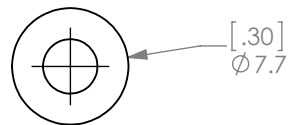
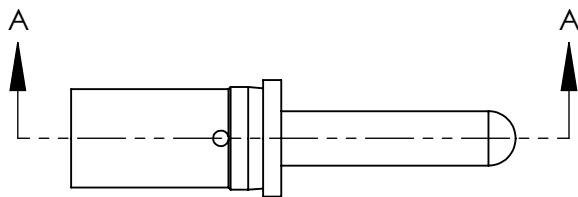


THE INFORMATION CONTAINED IN THIS DRAWING IS THE SOLE PROPERTY OF ANDERSON POWER PRODUCTS. ANY REPRODUCTION IN PART OR WHOLE WITHOUT THE WRITTEN PERMISSION OF ANDERSON POWER PRODUCTS IS PROHIBITED.

Copyright 2015

ANDERSON POWER PRODUCTS RESERVES THE RIGHT TO ALTER PRODUCT TYPES, THEIR TECHNICAL DATA, DIMENSION, STYLE AND ACCESSORIES WITHOUT PRIOR NOTIFICATION.



SECTION A-A

- NOTES:
 1. CONTACTS FOR USE IN 5 POSITION MID POWER SPEC PAK® ONLY
 2. CRIMP CONTACTS ONTO WIRE PRIOR TO INSERTION INTO HOUSING
 3. MATERIAL: COPPER
 4. PLATING: SILVER OVER NICKEL

DIMENSIONS ARE IN: MM [INCH]		<i>APPROVALS</i>		ANDERSON POWER PRODUCTS		
UNLESS OTHERWISE STATED		DRAWN	CMS	4/27/2015	TITLE CAT. NO. PP08SGH: #8 PIN HOT PLUG/ GROUNDING CRIMP CONTACT	
TOLERANCES:		CHECKED	JYL	4/28/2015		
DECIMALS (INCH)	DECIMALS (MM)	ANGLES	MFG APPRV	LLD		4/28/2015
.XX ± .02	.X ± .5	±2°	QC APPRV	UFN		4/28/2015
SURFACE FINISH:		ENG APPRV	CLY	4/28/2015	SIZE A	
MACHINED 3.2µ [128µin] ✓		SEE NOTES		DWG NO.	115436S2	
MOLDED 1.6µ [64µin] ✓		FINISH: SEE NOTES		REV.	0	
MATERIAL: SEE NOTES		-CAD GENERATED DRAWING- DO NOT MANUALLY UPDATE DO NOT SCALE		SCALE	NONE	
FINISH: SEE NOTES				CADFILE	04504	
REVISIONS		SHEET		1 OF 1		

REV.	DESCRIPTION	APPRV	DATE
REVISIONS			