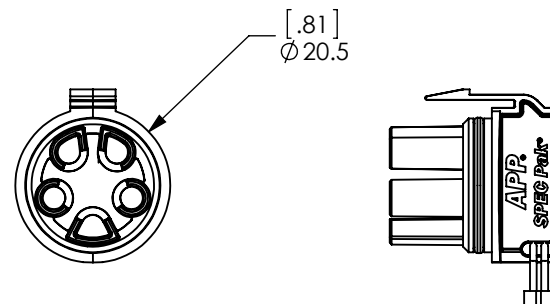
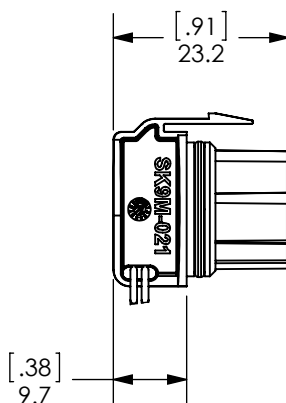
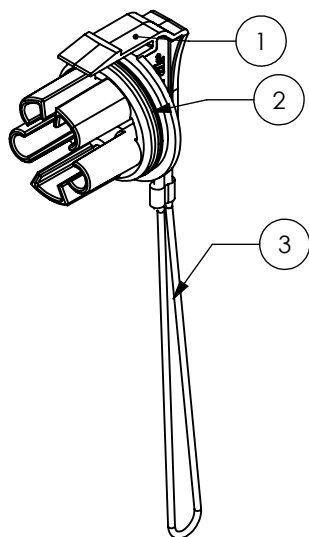


THE INFORMATION CONTAINED IN THIS DRAWING IS THE SOLE PROPERTY OF ANDERSON POWER PRODUCTS. ANY REPRODUCTION IN PART OR WHOLE WITHOUT THE WRITTEN PERMISSION OF ANDERSON POWER PRODUCTS IS PROHIBITED.

Copyright 2014

ANDERSON POWER PRODUCTS RESERVES THE RIGHT TO ALTER PRODUCT TYPES, THEIR TECHNICAL DATA, DIMENSION, STYLE AND ACCESSORIES WITHOUT PRIOR NOTIFICATION.

ITEM NO	QTY	DESCRIPTION
1	1	5 POLE MINI MALE COVER
2	1	O-RING
3	1	BRAIDED CORD LANYARD



NOTES:

- MATERIALS:
COVER: PC, UL94, V-0, BLACK
O-RING - NBR, BLACK
LANYARD: BRAIDED POLYESTER CORD
- FOR USE ON SK1-021M05 AND ALTERNATE KEYS

DIMENSIONS ARE IN:	MM [INCH]	APPROVALS		ANDERSON POWER PRODUCTS TITLE 5 POSITION MINI SPEC PAK® COVER FOR MALE HOUSING P/N: SK9M-021
UNLESS OTHERWISE STATED		DRAWN	2/10/2014	
TOLERANCES:		CHECKED	2/11/2014	
DECIMALS (INCH) DECIMALS (MM) ANGLES .XX ± .015 .X ± .38 ±.5° .XXX ± .005 .XX ± .13		MFG APPRV	2/12/2014	
SURFACE FINISH:		QC APPRV	2/12/2014	SIZE A DWG NO. 115301S1 REV. 1 SCALE 1:1 CADFILE 04171 SHEET 1 OF 1
MATERIAL: SEE NOTE 1		ENG APPRV	2/12/2014	
FINISH:		BD		
MACHINED 3.2µ [128µin] MOLDED 1.6µ [64µin]		-CAD GENERATED DRAWING- DO NOT MANUALLY UPDATE DO NOT SCALE		
3rd ANGLE PROJECTION				

REV.	DESCRIPTION	APPRV	DATE
1	ECRN 15815	CMS	4/30/2015
REVISIONS			