

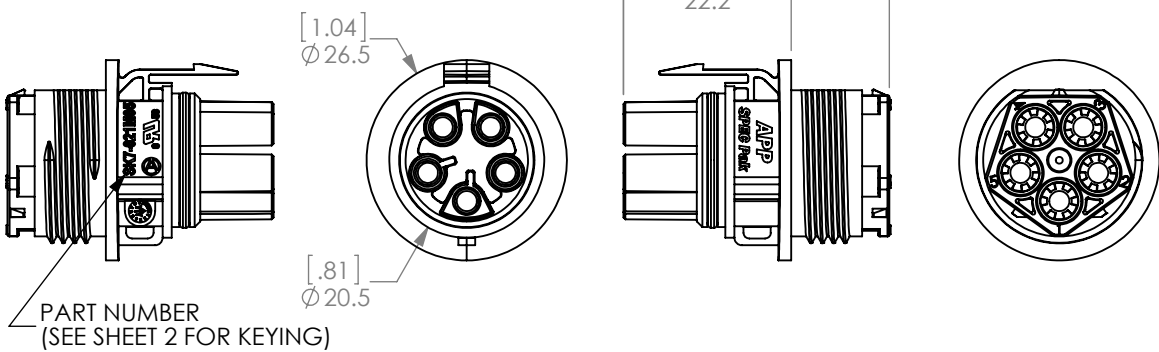
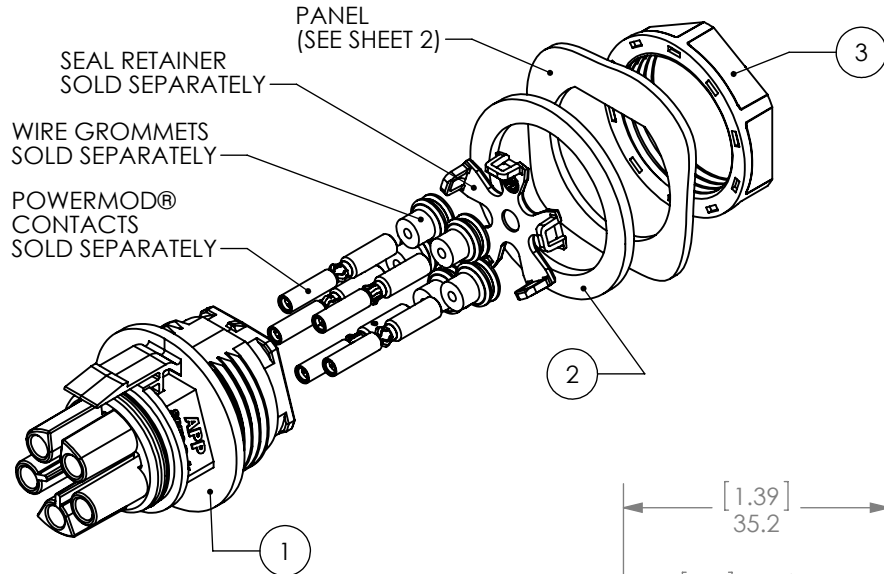
THE INFORMATION CONTAINED IN THIS DRAWING IS THE SOLE PROPERTY OF ANDERSON POWER PRODUCTS. ANY REPRODUCTION IN PART OR WHOLE WITHOUT THE WRITTEN PERMISSION OF ANDERSON POWER PRODUCTS IS PROHIBITED.

Copyright 2013

ANDERSON POWER PRODUCTS RESERVES THE RIGHT TO ALTER PRODUCT TYPES, THEIR TECHNICAL DATA, DIMENSION, STYLE AND ACCESSORIES WITHOUT PRIOR NOTIFICATION.

COMPONENTS INCLUDED

ITEM	QTY	DESCRIPTION
1	1	JAM NUT MOUNT SHELL (FEMALE)
2	1	PANEL GASKET
3	1	JAM NUT



NOTES:

1. MATERIAL
 - A. SHELL - PC, BLACK
 - B. O-RING - NBR, BLACK
 - C. JAM NUT - PC, BLACK
 - D. PANEL GASKET - NBR, BLACK
2. FOR USE WITH POWERMOD® SOCKET CONTACTS (SOLD SEPARATELY)
3. REFER TO ASSEMBLY INSTRUCTIONS 1S6618
4. SEE SHEET 2 FOR RECOMMENDED PANEL CUT-OUT

PART NO: SK7-021M05

SEE SHEET 2 FOR ADDITIONAL KEYS

DIMENSIONS ARE IN:	MM [INCH]	APPROVALS			ANDERSON POWER PRODUCTS			
UNLESS OTHERWISE STATED		DRAWN	10/24/2013		TITLE 5P MINI-PL SPEC PAK® JAM NUT MOUNT CONNECTOR SHELL (FEMALE)			
TOLERANCES:		NTS						
DECIMALS (INCH) DECIMALS (MM) ANGLES	.XX ±.02 .X ±.5 ±2°	CHECKED	2/14/2014					
SURFACE FINISH:		MFG APPRV	2/14/2014					
MACHINED	3.2µ [128µin]	CHB		QC APPRV	2/14/2014	SIZE	DWG NO.	REV.
MOLDED	1.6µ [64µin]	UFN		ENG APPRV	2/14/2014	A	115309S1	0
MATERIAL:	SEE NOTE 1	BD		-CAD GENERATED DRAWING- DO NOT MANUALLY UPDATE DO NOT SCALE		SCALE	CADFILE	SHEET
FINISH:						NONE	04073	1 OF 2

REV.	DESCRIPTION	APPRV	DATE
REVISIONS			

8 7 6 5 4 3 2 1

D

C

B

A

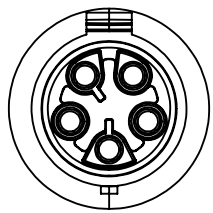
8 7 6 5 4 3 2 1

8 7 6 5 4 3 2 1

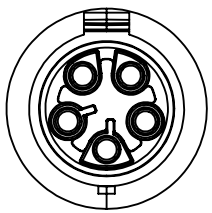
THE INFORMATION CONTAINED IN THIS DRAWING IS THE SOLE PROPERTY OF ANDERSON POWER PRODUCTS. ANY REPRODUCTION IN PART OR WHOLE WITHOUT THE WRITTEN PERMISSION OF ANDERSON POWER PRODUCTS IS PROHIBITED.

Copyright 2013

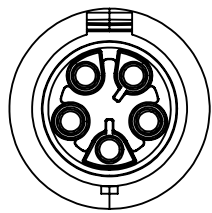
ANDERSON POWER PRODUCTS RESERVES THE RIGHT TO ALTER PRODUCT TYPES, THEIR TECHNICAL DATA, DIMENSION, STYLE AND ACCESSORIES WITHOUT PRIOR NOTIFICATION.



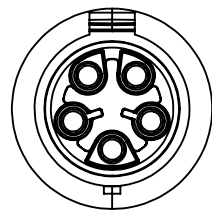
SK7-021M05



SK7-A21M05

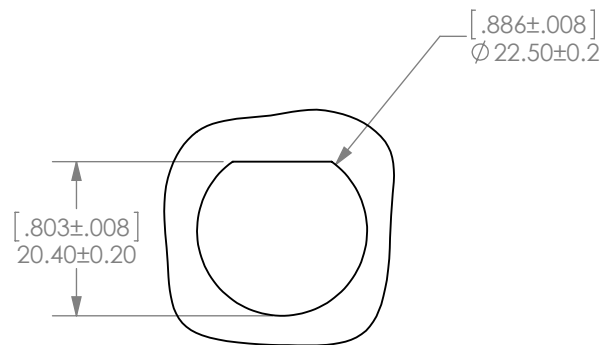


SK7-B21M05



SK7-F21M05

NOTE:
CONTACT FACTORY FOR ADDITIONAL KEYS



PANEL CUT-OUT

DIMENSIONS ARE IN:		MM [INCH]		APPROVALS			ANDERSON POWER PRODUCTS	
UNLESS OTHERWISE STATED				DRAWN	10/24/2013		TITLE	
TOLERANCES:				NTS		5P MINI-PL SPEC PAK®		
DECIMALS (INCH)		DECIMALS (MM)		CHECKED	2/14/2014	JAM NUT MOUNT		
.XX ± .02	.X ± .5		ANGLES ±2°	CMS		CONNECTOR SHELL		
SURFACE FINISH:				MFG APPRV	2/14/2014	(FEMALE)		
MACHINED		3.2µ [128µin]		CHB		SIZE		
MOLDED		1.6µ [64µin]		QC APPRV	2/14/2014	A	DWG NO.	REV.
MATERIAL: SEE NOTE 1				UFN			115309S1	0
FINISH:				ENG APPRV	2/14/2014	SCALE	CADFILE	SHEET
				BD		NONE	04073	2 OF 2
				-CAD GENERATED DRAWING- DO NOT MANUALLY UPDATE DO NOT SCALE				

-	SEE SHEET 1	-	-
REV.	DESCRIPTION	APPRV	DATE
REVISIONS			

8 7 6 5 4 3 2 1