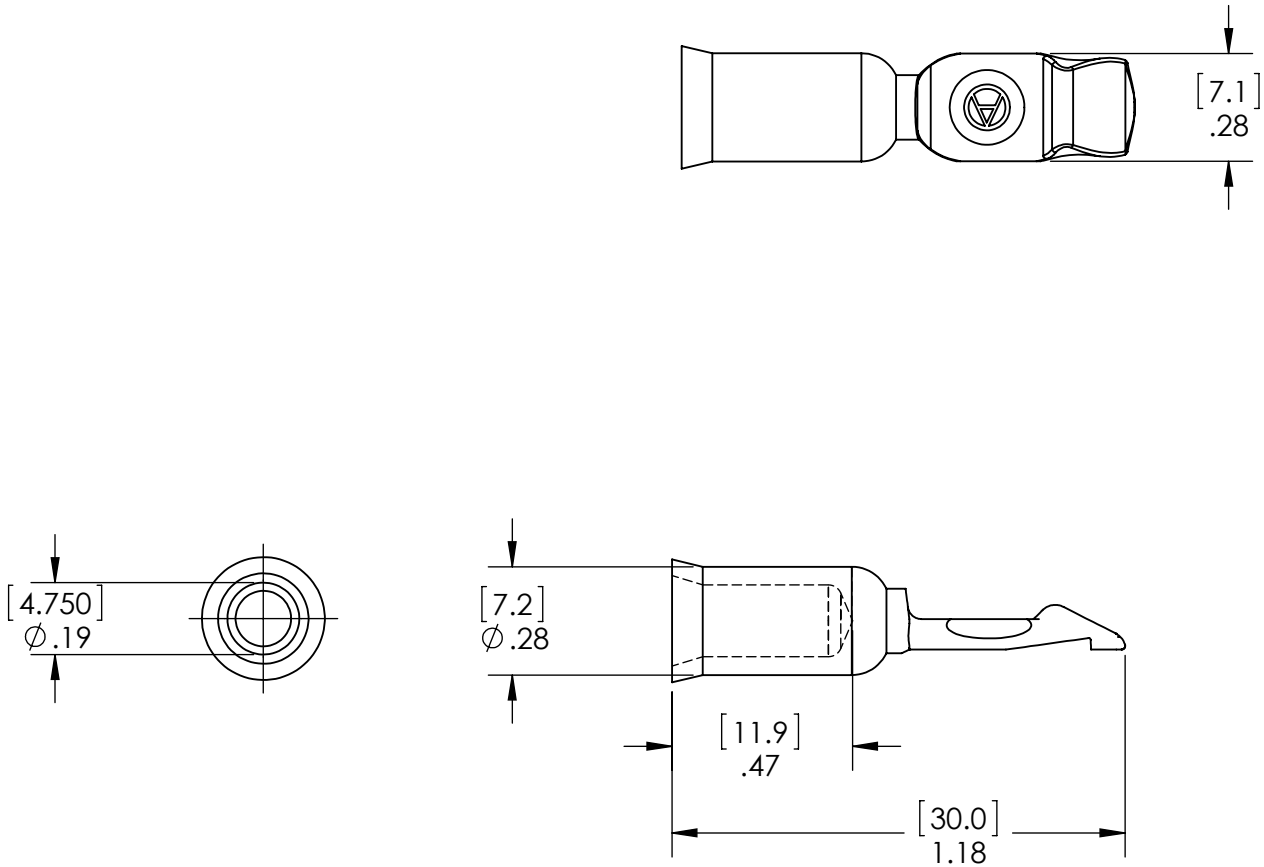


CAT. P/N: 5952



5	ECRN-15243	TWE	9/25/2012
4	ECRN-14452	CHB	6/17/09
3	ECRN-13652	CHB	12/03
2	ECRN-13635	CHB	11/11/03
REV.	DESCRIPTION	APPRV	DATE

REVISIONS

DIMENSIONS ARE IN:		INCH [MM]		APPROVALS		DATE		 ANDERSON POWER PRODUCTS		
UNLESS OTHERWISE STATED:				DRAWN	DMM	9/11/2003				
TOLERANCES:				CHECKED	DJD	11/1/2003		TITLE OUTLINE PP75/SB50 CONTACT FOR 10MM ² AND #8 WIRE HIGH DETENT		
DECIMALS (INCH)		DECIMALS (MM)		MFG APPRV		DATE				
.XX ± .02		.X ± .5		DSM		11/1/2003				
		ANGLES		QC APPRV		DATE				
		±2°		RPO		11/1/2003		SIZE	DWG. NO.	REV.
SURFACE FINISH:				ENG APPRV		DATE		A	114155S1	5
MACHINED		128µin [3.2µ]		UFN		11/1/2003		SCALE	CAD FILE:	SHEET
MOLDED		64µin [1.6µ]						NONE	03813	1 OF 1
MATERIAL:										
COPPER ALLOY										
FINISH:										
SILVER PLATE										
 3RD ANGLE PROJECTION				-CAD GENERATED DRAWING-		DO NOT MANUALLY UPDATE				
				DO NOT SCALE						