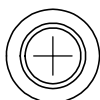
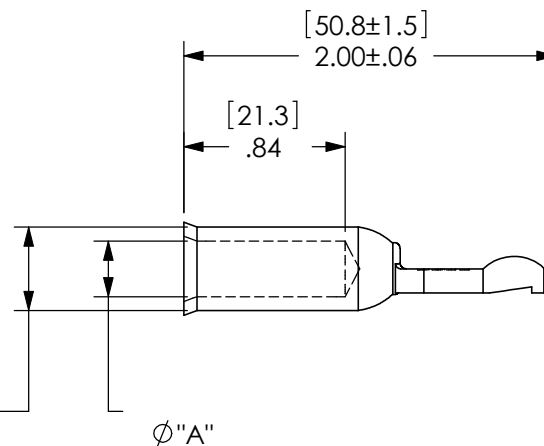
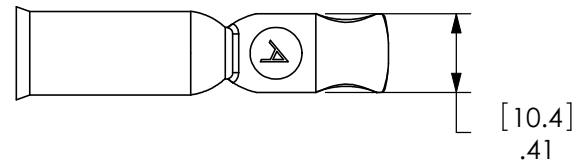
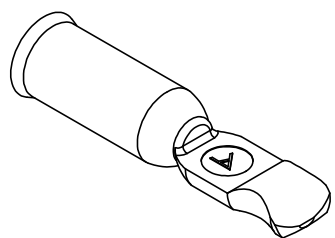


THE INFORMATION CONTAINED IN THIS DRAWING IS THE SOLE PROPERTY OF ANDERSON POWER PRODUCTS. ANY REPRODUCTION IN PART OR WHOLE WITHOUT THE WRITTEN PERMISSION OF ANDERSON POWER PRODUCTS IS PROHIBITED.

Copyright 2008

ANDERSON POWER PRODUCTS RESERVES THE RIGHT TO ALTER PRODUCT TYPES, THEIR TECHNICAL DATA, DIMENSION, STYLE AND ACCESSORIES WITHOUT PRIOR NOTIFICATION.



CAT. NO.	WIRE SIZE	"A"	
		INCH	MM
1319	#2 AWG	0.34	8.6
1319G4	#4 AWG	0.29	7.4
1319G6	#6 AWG	0.22	5.6

DIMENSIONS ARE IN:		INCH[MM]		APPROVALS		 ANDERSON POWER PRODUCTS TITLE PP120 CONTACT
UNLESS OTHERWISE STATED				DRAWN	CMS	
TOLERANCES:				CHECKED	DJD	6/21/99
DECIMALS (INCH)	DECIMALS (MM)	ANGLES		MFG APP	CHB	6/21/99
.XX ±.02	.X ±.5	±2°		QC APP	DJM	6/22/99
SURFACE FINISH:				ENG APP	UFN	6/22/99
MACHINED		128 [3.2] ✓		MATERIAL:		
MOLDED		64 [1.6] ✓		COPPER ALLOY		
FINISH:		SILVER PLATE		SIZE	DWG NO.	REV.
				A/A4	114156S1	1
 3rd ANGLE PROJECTION				CAD GENERATED DRAWING- DO NOT MANUALLY UPDATE DO NOT SCALE		SCALE
				NONE		CADFILE
				01054		SHEET
						1 OF 1

REV.	DESCRIPTION OF CHANGES	APPROVED	DATE
1	ECRN 14358 - REVISE, REDRAW, CONSOLIDATE	AMS	12/16/08