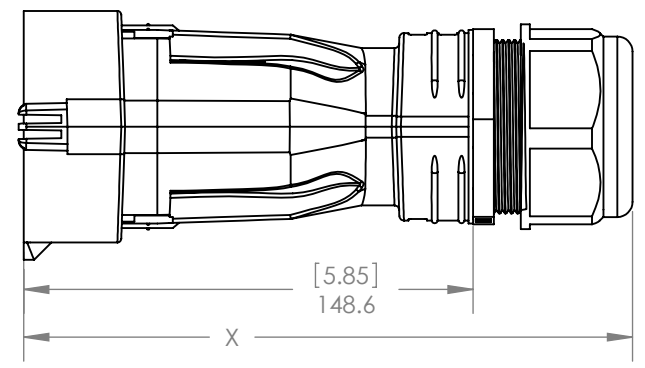
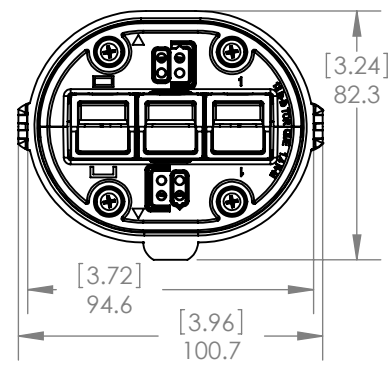
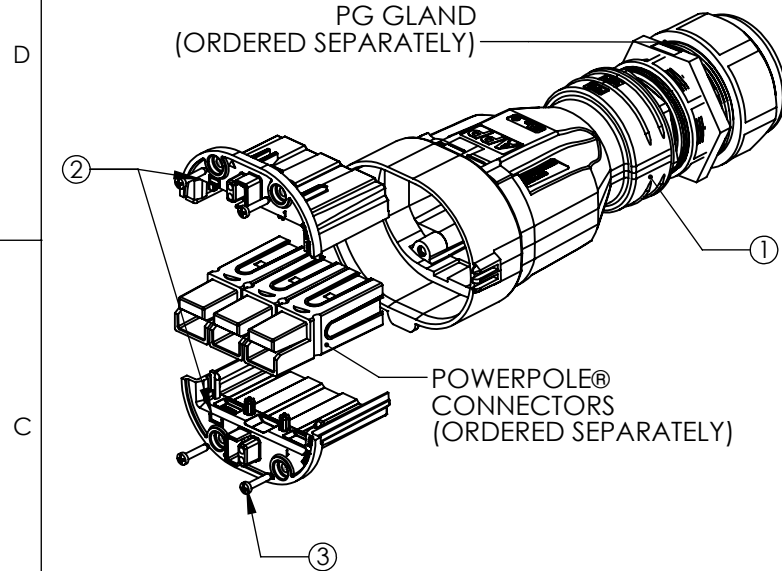


THE INFORMATION CONTAINED IN THIS DRAWING IS THE SOLE PROPERTY OF ANDERSON POWER PRODUCTS. ANY REPRODUCTION IN PART OR WHOLE WITHOUT THE WRITTEN PERMISSION OF ANDERSON POWER PRODUCTS IS PROHIBITED.

Copyright 2010

ANDERSON POWER PRODUCTS RESERVES THE RIGHT TO ALTER PRODUCT TYPES, THEIR TECHNICAL DATA, DIMENSION, STYLE AND ACCESSORIES WITHOUT PRIOR NOTIFICATION.



APPROXIMATE OVERALL LENGTH W/ GLAND

ITEM	QTY	DESC
1	1	PLUG HOUSING
2	2	HOLDER HALVES
3	4	SELF TAPPING SCREWS

P/N	GLAND SIZE	X	
		MM	IN
SK6-A95H03	PG-36	193	7.6
SK6-B95H03	PG-42	201	7.9

- NOTES:
 1. MATERIAL
 A. PLUG HOUSING AND HOLDER-PBT BLACK
 2. FOR USE WITH PP120 CONTACTS AND HOUSINGS (ORDERED SEPARATELY)
 3. HOLDER ACCEPTS UP TO FOUR POWERMOD™ PINS AND FOUR POWERMOD™ SOCKETS (ORDERED SEPARATELY)
 4. REFER TO ASSEMBLY INSTRUCTION 1S6554

DIMENSIONS ARE IN:	MM(INCH)	APPROVALS	
UNLESS OTHERWISE STATED		DRAWN	TWE 11/3/2010
TOLERANCES:		CHECKED	CMS 11/17/2010
DECIMALS (INCH)	DECIMALS (MM)	ANGLES	
.XX ± .02	.X ± .5	±2°	
SURFACE FINISH:		MFG APPRV	CHB 11/22/2010
MACHINED	128 [3.2] ✓	QC APPRV	UPN 11/22/2010
MOLDED	64 [1.6] ✓	ENG APPRV	BD 11/22/2010
MATERIAL: SEE NOTES		SIZE	A
FINISH: ****		DWG NO.	115023S1
		REV.	1

ANDERSON POWER PRODUCTS

TITLE
**HIGH POWER SPEC PAK™
 PP120 PLUG
 CONNECTOR KIT**

SCALE: NONE
 CADFILE: 03314
 SHEET: 1 OF 2

1	ECRN-14781 DIMENSION CLARIFICATION	TWE	11/30/10
REV.	DESCRIPTION	APPRV	DATE
REVISIONS			

-CAD GENERATED DRAWING-
 DO NOT MANUALLY UPDATE
 DO NOT SCALE

