

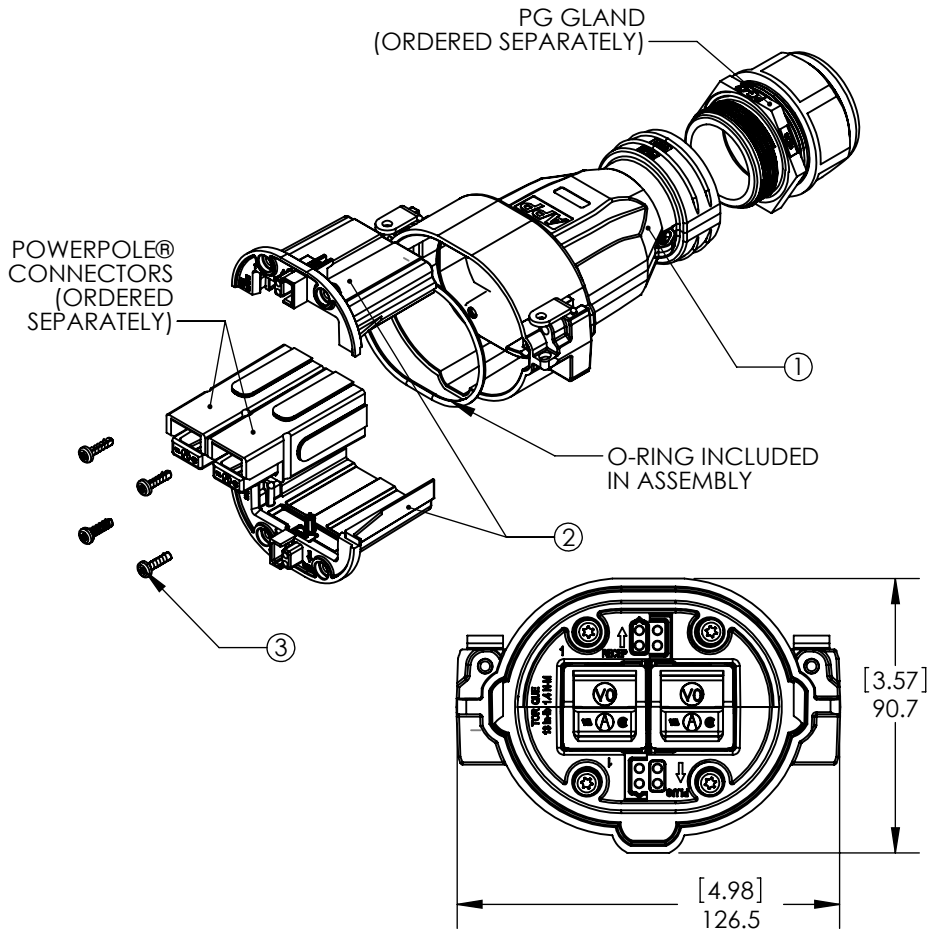
THE INFORMATION CONTAINED IN THIS DRAWING IS THE SOLE PROPERTY OF ANDERSON POWER PRODUCTS. ANY REPRODUCTION IN PART OR WHOLE WITHOUT THE WRITTEN PERMISSION OF ANDERSON POWER PRODUCTS IS PROHIBITED.

**Copyright 2010**

ANDERSON POWER PRODUCTS RESERVES THE RIGHT TO ALTER PRODUCT TYPES, THEIR TECHNICAL DATA, DIMENSION, STYLE AND ACCESSORIES WITHOUT PRIOR NOTIFICATION.

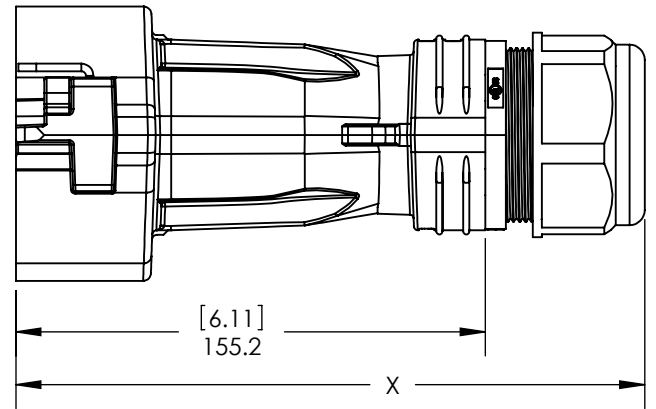
**APPROXIMATE OVERALL LENGTH W/ GLAND**

P/N	GLAND SIZE	X	
		MM	IN
SK1-A95H02	PG-36	200	7.9
SK1-B95H02	PG-42	208	8.2



**INCLUDED COMPONENTS**

ITEM	QTY	DESC
1	1	INLINE RECEPTACLE HOUSING ASSEMBLY
2	2	HOLDER HALVES
3	4	SELF TAPPING SCREWS



- NOTES:**
- MATERIAL  
 A. RECEPTACLE HOUSING AND HOLDER-PBT BLACK  
 2. FOR USE WITH PP180 CONTACTS AND HOUSINGS (ORDERED SEPARATELY)  
 3. HOLDER ACCEPTS UP TO FOUR POWERMOD™ PINS AND FOUR POWERMOD™ SOCKETS (ORDERED SEPARATELY)  
 4. REFER TO ASSEMBLY INSTRUCTIONS 1S6554

DIMENSIONS ARE IN:	MM(INCH)	<b>APPROVALS</b>		<p><b>ANDERSON POWER PRODUCTS</b></p> <p>TITLE</p> <p><b>HIGH POWER SPEC PAK™ PP180 INLINE RECEPTACLE CONNECTOR KIT</b></p>
UNLESS OTHERWISE STATED		DRAWN	TWE 11/4/2010	
TOLERANCES:		CHECKED	CMS 11/17/2010	
DECIMALS (INCH) DECIMALS (MM) ANGLES		MFG APPRV	CHB 11/22/2010	
SURFACE FINISH:		QC APPRV	UPN 11/22/2010	
MACHINED 128 [3.2]✓		ENG APPRV	BD 11/22/2010	
MOLDED 64 [1.6]✓		SIZE	0A	
MATERIAL: SEE NOTES		DWG NO.	115025S1	
FINISH:		REV.	0	
3rd ANGLE PROJECTION		SCALE	NONE	
		CADFILE	03319	
		SHEET	1 OF 2	

REV.	DESCRIPTION	APPRV	DATE
REVISIONS			

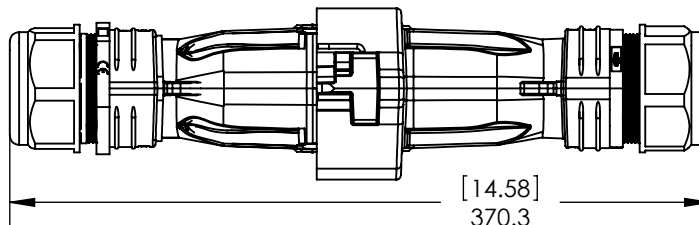
THE INFORMATION CONTAINED IN THIS DRAWING IS THE SOLE PROPERTY OF ANDERSON POWER PRODUCTS. ANY REPRODUCTION IN PART OR WHOLE WITHOUT THE WRITTEN PERMISSION OF ANDERSON POWER PRODUCTS IS PROHIBITED.

**Copyright 2010**

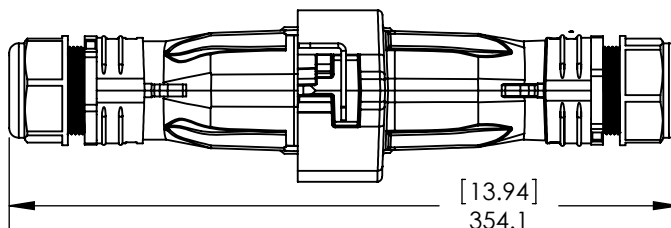
ANDERSON POWER PRODUCTS RESERVES THE RIGHT TO ALTER PRODUCT TYPES, THEIR TECHNICAL DATA, DIMENSION, STYLE AND ACCESSORIES WITHOUT PRIOR NOTIFICATION.

**APPROXIMATE OVERALL LENGTHS RECEPTACLES AND PLUGS WITH GLANDS**

**PG-42  
INLINE**



**PG-36  
INLINE**



DIMENSIONS ARE IN: MM(INCH)		<i>APPROVALS</i>		<b>ANDERSON POWER PRODUCTS</b>		
UNLESS OTHERWISE STATED		DRAWN	TWE	11/4/2010	<b>TITLE</b> HIGH POWER SPEC PAK™ PP180 INLINE RECEPTACLE CONNECTOR KIT	
TOLERANCES:		CHECKED	CMS	11/17/2010		
DECIMALS (INCH)	DECIMALS (MM)	ANGLES	MFG APPRV	CHB		11/22/2010
.XX ± .02	.X ± .5	±2°	QC APPRV	UPN		11/22/2010
SURFACE FINISH:		ENG APPRV	BD	11/22/2010		SIZE 10A
MATERIAL: SEE NOTES		FINISH:		DWG NO.	REV.	
				115025S1	0	
		-CAD GENERATED DRAWING- DO NOT MANUALLY UPDATE DO NOT SCALE		SCALE	CADFILE	
				NONE	03319	
				SHEET		
				2 OF 2		