

THE INFORMATION CONTAINED IN THIS DRAWING IS THE SOLE PROPERTY OF ANDERSON POWER PRODUCTS. ANY REPRODUCTION IN PART OR WHOLE WITHOUT THE WRITTEN PERMISSION OF ANDERSON POWER PRODUCTS IS PROHIBITED.

Copyright 2010

ANDERSON POWER PRODUCTS RESERVES THE RIGHT TO ALTER PRODUCT TYPES, THEIR TECHNICAL DATA, DIMENSION, STYLE AND ACCESSORIES WITHOUT PRIOR NOTIFICATION.

PG GLAND
(ORDERED SEPARATELY)

POWERPOLE®
CONNECTORS
(ORDERED SEPARATELY)

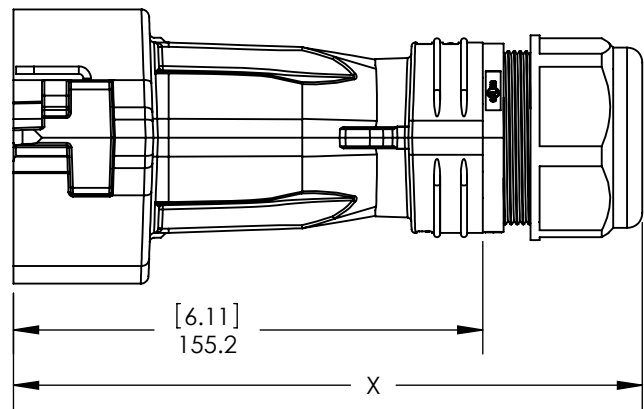
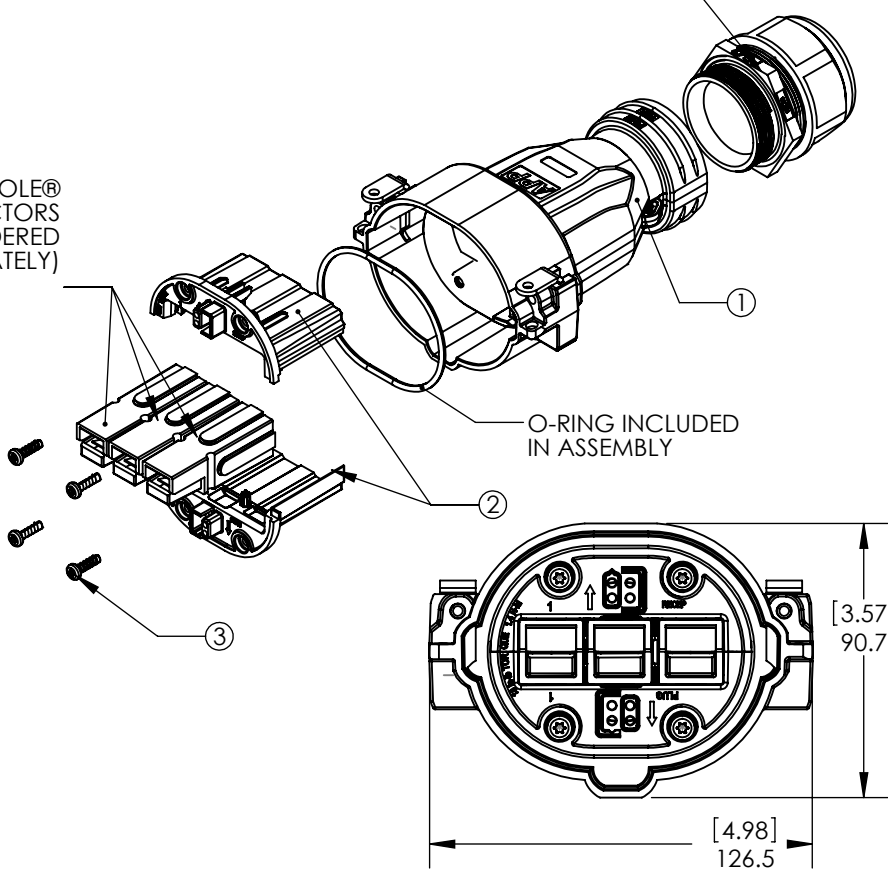
O-RING INCLUDED
IN ASSEMBLY

APPROXIMATE OVERALL LENGTH W/ GLAND X

P/N	GLAND SIZE	MM	IN
SK1-A95H03	PG-36	200	7.9
SK1-B95H03	PG-42	208	8.2

INCLUDED COMPONENTS

ITEM	QTY	DESC
1	1	INLINE RECEPTACLE HOUSING ASSEMBLY
2	2	HOLDER HALVES
3	4	SELF TAPPING SCREWS



NOTES:

- MATERIAL
A. RECEPTACLE HOUSING AND HOLDER-PBT BLACK
- FOR USE WITH PP120 CONTACTS AND HOUSINGS (ORDERED SEPARATELY)
- HOLDER ACCEPTS UP TO FOUR POWERMOD™ PINS AND FOUR POWERMOD™ SOCKETS (ORDERED SEPARATELY)
- REFER TO ASSEMBLY INSTRUCTIONS 1S6554

DIMENSIONS ARE IN:	MM [INCH]	APPROVALS		<p>ANDERSON POWER PRODUCTS</p> <p>TITLE</p> <p>HIGH POWER SPEC PAK™ PP120 INLINE RECEPTACLE CONNECTOR KIT</p>
UNLESS OTHERWISE STATED		DRAWN	TWE 11/5/2010	
TOLERANCES:		CHECKED	CMS 11/17/2010	
DECIMALS (INCH)	DECIMALS (MM)	ANGLES		
.XX ±.02	.X ±.5	±2°		
SURFACE FINISH:		MFG APPRV	CHB 11/22/2010	
MACHINED	128 [3.2] ✓	QC APPRV	UPN 11/22/2010	
MOLDED	64 [1.6] ✓	ENG APPRV	BD 11/22/2010	
MATERIAL: SEE NOTES		SIZE	0A	DWG NO. 115026S1
FINISH:		SCALE	NONE	REV. 0
3rd ANGLE PROJECTION		-CAD GENERATED DRAWING- DO NOT MANUALLY UPDATE DO NOT SCALE		CADFILE 03320
				SHEET 1 OF 2

REV.	DESCRIPTION	APPRV	DATE
REVISIONS			

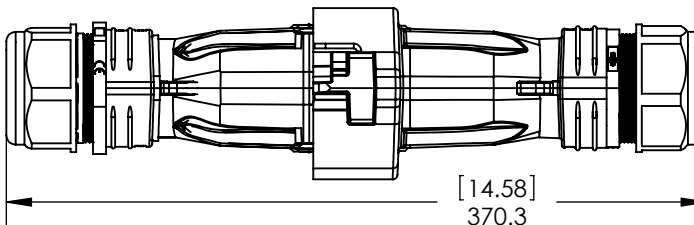
THE INFORMATION CONTAINED IN THIS DRAWING IS THE SOLE PROPERTY OF ANDERSON POWER PRODUCTS. ANY REPRODUCTION IN PART OR WHOLE WITHOUT THE WRITTEN PERMISSION OF ANDERSON POWER PRODUCTS IS PROHIBITED.

Copyright 2010

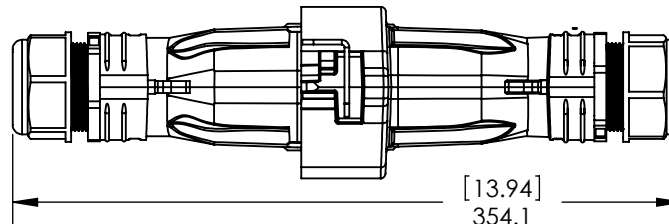
ANDERSON POWER PRODUCTS RESERVES THE RIGHT TO ALTER PRODUCT TYPES, THEIR TECHNICAL DATA, DIMENSION, STYLE AND ACCESSORIES WITHOUT PRIOR NOTIFICATION.

APPROXIMATE OVERALL LENGTHS RECEPTACLES AND PLUGS WITH GLANDS

**PG-42
INLINE**



**PG-36
INLINE**



DIMENSIONS ARE IN: MM [INCH]		<i>APPROVALS</i>		ANDERSON POWER PRODUCTS		
UNLESS OTHERWISE STATED		DRAWN	TWE	11/5/2010	TITLE HIGH POWER SPEC PAK™ PP120 INLINE RECEPTACLE CONNECTOR KIT	
TOLERANCES:		CHECKED	CMS	11/17/2010		
DECIMALS (INCH)	DECIMALS (MM)	ANGLES	MFG APPRV	CHB		11/22/2010
.XX ± .02	.X ± .5	±2°	QC APPRV	UPN		11/22/2010
SURFACE FINISH:		ENG APPRV	BD	11/22/2010	SIZE	
MACHINED	128 [3.2] ✓				0A	
MOLDED	64 [1.6] ✓				DWG NO.	
MATERIAL:					115026S1	
SEE NOTES					REV.	
FINISH:					0	
		-CAD GENERATED DRAWING- DO NOT MANUALLY UPDATE DO NOT SCALE		SCALE	CADFILE	
				NONE	03320	
					SHEET	
					2 OF 2	