

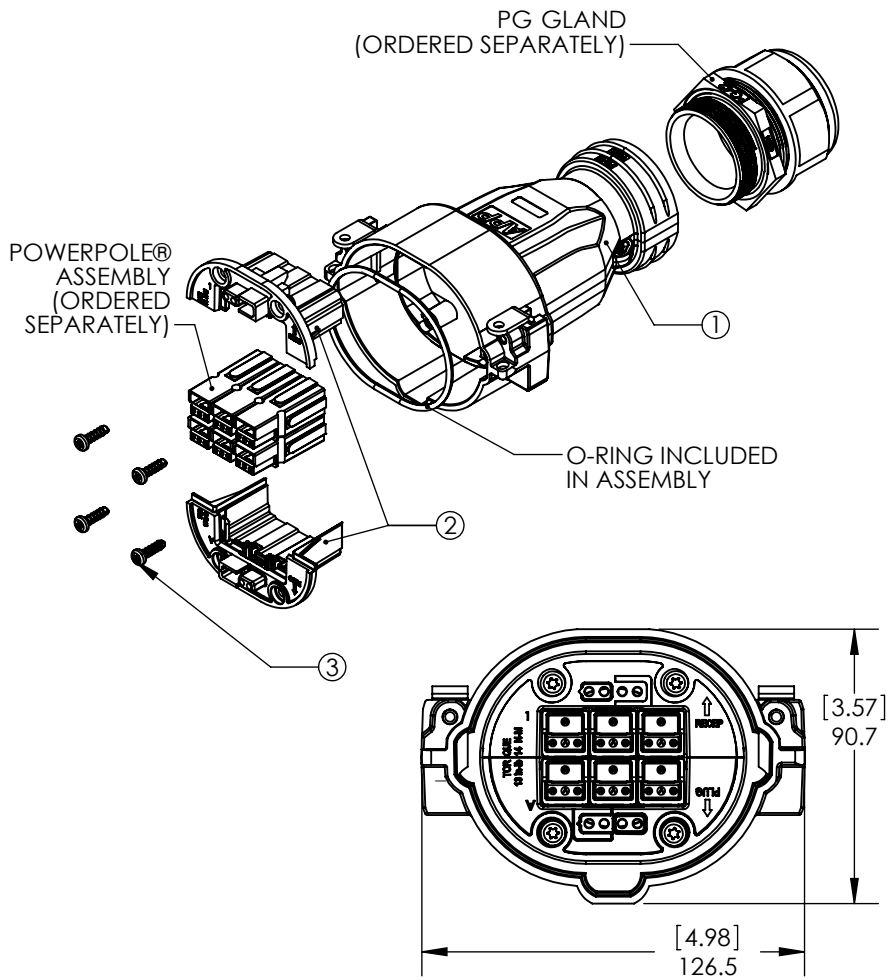
THE INFORMATION CONTAINED IN THIS DRAWING IS THE SOLE PROPERTY OF ANDERSON POWER PRODUCTS. ANY REPRODUCTION IN PART OR WHOLE WITHOUT THE WRITTEN PERMISSION OF ANDERSON POWER PRODUCTS IS PROHIBITED.

Copyright 2010

ANDERSON POWER PRODUCTS RESERVES THE RIGHT TO ALTER PRODUCT TYPES, THEIR TECHNICAL DATA, DIMENSION, STYLE AND ACCESSORIES WITHOUT PRIOR NOTIFICATION.

D
C
B
A

D
C
B
A

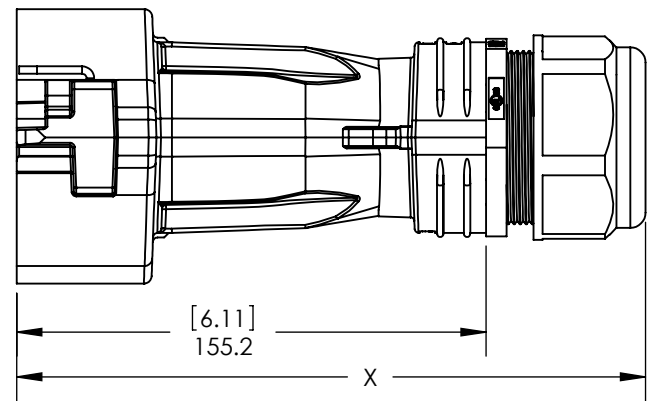


APPROXIMATE LENGTH WITH GLAND

P/N	GLAND SIZE	X	
		MM	IN
SK1-A95H06	PG-36	200	7.9
SK1-B95H06	PG-42	208	8.2

INCLUDED COMPONENTS

ITEM	QTY	DESC
1	1	INLINE RECEPTACLE HOUSING ASSEMBLY
2	2	HOLDER HALVES
3	4	SELF TAPPING SCREWS



- NOTES:
- MATERIAL
A. RECEPTACLE HOUSING AND HOLDER-PBT BLACK
 - FOR USE WITH PP75 CONTACTS AND HOUSINGS (ORDERED SEPARATELY)
 - HOLDER ACCEPTS UP TO FOUR POWERMOD™ PINS AND FOUR POWERMOD™ SOCKETS (ORDERED SEPARATELY)
 - REFER TO ASSEMBLY INSTRUCTIONS 1S6554

DIMENSIONS ARE IN:	MM(INCH)	APPROVALS		<p>ANDERSON POWER PRODUCTS</p> <p>TITLE</p> <p>HIGH POWER SPEC PAK™ PP75 INLINE RECEPTACLE CONNECTOR KIT</p>	
UNLESS OTHERWISE STATED		DRAWN	TWE 11/5/2010		
TOLERANCES:		CHECKED	CMS 11/17/2010		
DECIMALS (INCH)	DECIMALS (MM)	ANGLES			
.XX ± .02	.X ± .5	±2°		MFG APPRV	CHB 11/22/2010
SURFACE FINISH:		QC APPRV	UPN 11/22/2010	SIZE	0A
MACHINED	128 [3.2] ✓	ENG APPRV	BD 11/22/2010	DWG NO.	115027S1
MOLDED	64 [1.6] ✓	FINISH:		REV.	0
MATERIAL: SEE NOTES		-CAD GENERATED DRAWING- DO NOT MANUALLY UPDATE DO NOT SCALE		SCALE	NONE
CAD FILE		03321		SHEET	1 OF 2

REV.	DESCRIPTION	APPRV	DATE
REVISIONS			

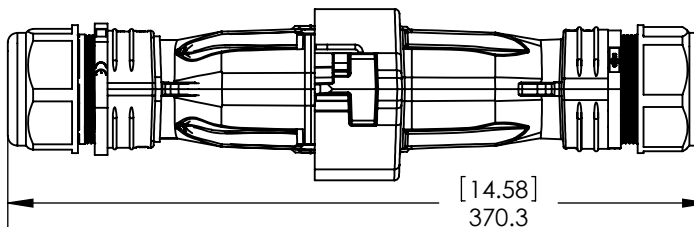
THE INFORMATION CONTAINED IN THIS DRAWING IS THE SOLE PROPERTY OF ANDERSON POWER PRODUCTS. ANY REPRODUCTION IN PART OR WHOLE WITHOUT THE WRITTEN PERMISSION OF ANDERSON POWER PRODUCTS IS PROHIBITED.

Copyright 2010

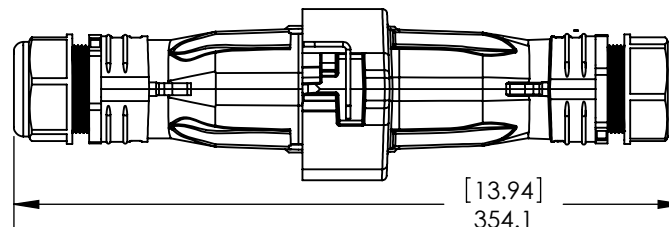
ANDERSON POWER PRODUCTS RESERVES THE RIGHT TO ALTER PRODUCT TYPES, THEIR TECHNICAL DATA, DIMENSION, STYLE AND ACCESSORIES WITHOUT PRIOR NOTIFICATION.

APPROXIMATE OVERALL LENGTHS RECEPTACLES AND PLUGS WITH GLANDS

**PG-42
INLINE**



**PG-36
INLINE**



DIMENSIONS ARE IN: MM(INCH)		<i>APPROVALS</i>		ANDERSON POWER PRODUCTS		
UNLESS OTHERWISE STATED		DRAWN	TWE	11/5/2010	TITLE HIGH POWER SPEC PAK™ PP75 INLINE RECEPTACLE CONNECTOR KIT	
TOLERANCES:		CHECKED	CMS	11/17/2010		
DECIMALS (INCH)	DECIMALS (MM)	ANGLES	MFG APPRV	CHB		11/22/2010
.XX ± .02	.X ± .5	±2°	QC APPRV	UPN		11/22/2010
SURFACE FINISH:		MACHINED	128	[3.2] ✓	SIZE 10A	
		MOLDED	64	[1.6] ✓		DWG NO. 115027S1
MATERIAL:		ENG APPRV	BD	11/22/2010	SCALE NONE	
SEE NOTES						CADFILE 03321
FINISH:					SHEET 2 OF 2	
		-CAD GENERATED DRAWING- DO NOT MANUALLY UPDATE DO NOT SCALE				