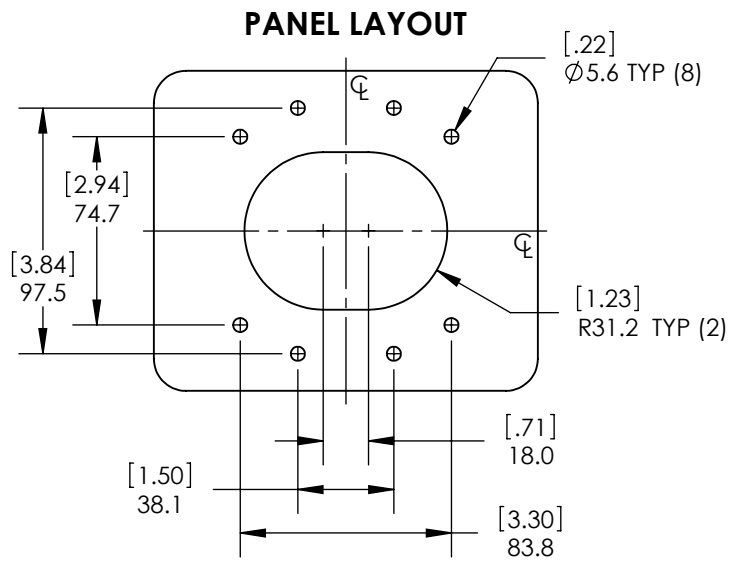
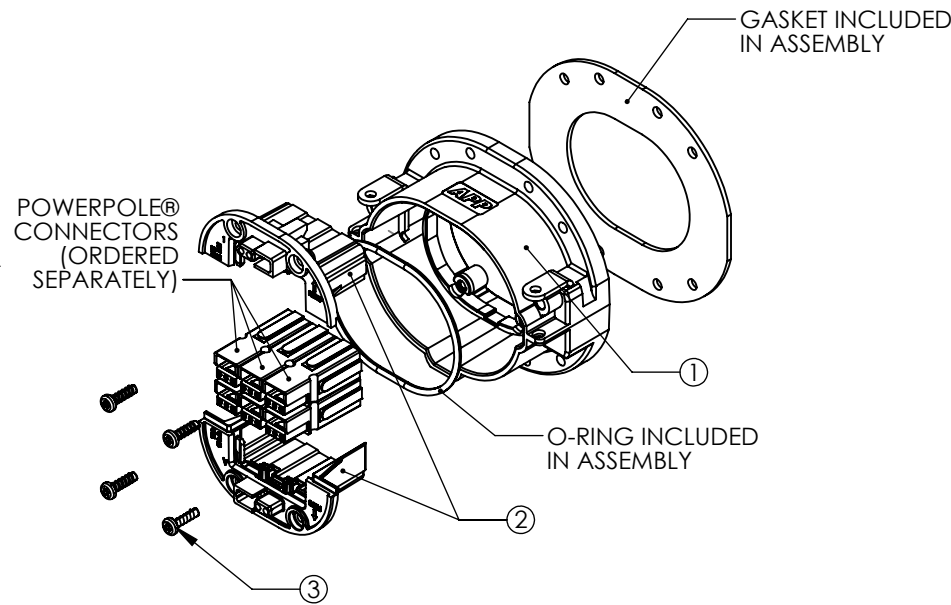


THE INFORMATION CONTAINED IN THIS DRAWING IS THE SOLE PROPERTY OF ANDERSON POWER PRODUCTS. ANY REPRODUCTION IN PART OR WHOLE WITHOUT THE WRITTEN PERMISSION OF ANDERSON POWER PRODUCTS IS PROHIBITED.

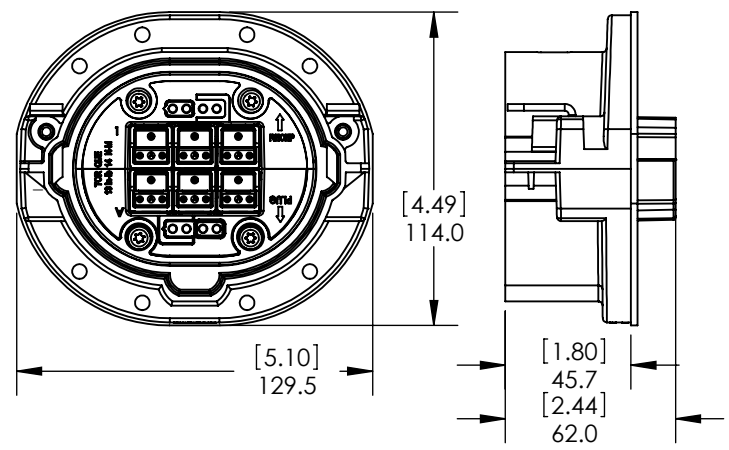
Copyright 2010

ANDERSON POWER PRODUCTS RESERVES THE RIGHT TO ALTER PRODUCT TYPES, THEIR TECHNICAL DATA, DIMENSION, STYLE AND ACCESSORIES WITHOUT PRIOR NOTIFICATION.



INCLUDED COMPONENTS

ITEM	QTY	DESC
1	1	RECEPTACLE PANEL MOUNT ASSEMBLY
2	2	HOLDER HALVES
3	4	SELF TAPPING SCREWS



- NOTES:
 1. MATERIAL
 A. RECEPTACLE HOUSING AND HOLDER-PBT BLACK
 2. FOR USE WITH PP75 CONTACTS AND HOUSINGS (ORDERED SEPARATELY)
 3. HOLDER ACCEPTS UP TO FOUR POWERMOD™ PINS AND FOUR POWERMOD™ SOCKETS (ORDERED SEPARATELY)
 4. REFER TO ASSEMBLY INSTRUCTIONS 1S6555

DIMENSIONS ARE IN:	MM(INCH)	APPROVALS			ANDERSON POWER PRODUCTS			
UNLESS OTHERWISE STATED		DRAWN	TWE		11/8/2010	TITLE		
TOLERANCES:		CHECKED	CMS	11/17/2010	HIGH POWER SPEC PAK™			
DECIMALS (INCH)	DECIMALS (MM)	ANGLES	MFG APPR	CHB	11/22/2010	PP75 PANEL MOUNT		
.XX ±.02	.X ±.5	±2°	QC APPR	UPN	11/22/2010	RECEPTACLE CONNECTOR KIT		
SURFACE FINISH:			ENG APPR	BD	11/22/2010	SIZE	DWG NO.	REV.
MACHINED	128 [3.2]					A	115029S1	0
MOLDED	64 [1.6]							
MATERIAL:						SCALE	CADFILE	SHEET
SEE NOTES						NONE	03324	1 OF 2
FINISH:								

REV.	DESCRIPTION	APPRV	DATE
REVISIONS			

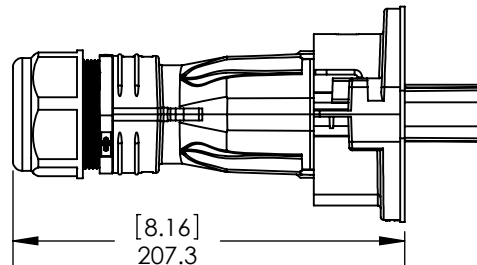
THE INFORMATION CONTAINED IN THIS DRAWING IS THE SOLE PROPERTY OF ANDERSON POWER PRODUCTS. ANY REPRODUCTION IN PART OR WHOLE WITHOUT THE WRITTEN PERMISSION OF ANDERSON POWER PRODUCTS IS PROHIBITED.

Copyright 2010

ANDERSON POWER PRODUCTS RESERVES THE RIGHT TO ALTER PRODUCT TYPES, THEIR TECHNICAL DATA, DIMENSION, STYLE AND ACCESSORIES WITHOUT PRIOR NOTIFICATION.

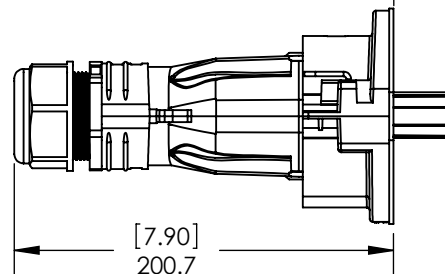
APPROXIMATE OVERALL LENGTH RECEPTACLES AND PLUGS WITH GLANDS

**PANEL MT W/
PG-42 GLAND**



PANEL

**PANEL MT W/
PG-36 GLAND**



DIMENSIONS ARE IN:		MM(INCH)		<i>APPROVALS</i>		ANDERSON POWER PRODUCTS	
UNLESS OTHERWISE STATED				DRAWN	TWE	11/8/2010	TITLE HIGH POWER SPEC PAK™ PP75 PANEL MOUNT RECEPTACLE CONNECTOR KIT SK2-095H06
TOLERANCES:				CHECKED	CMS	11/17/2010	
DECIMALS (INCH) DECIMALS (MM) ANGLES				MFG APPRV	CHB	11/22/2010	
.XX ± .02 .X ± .5 ±2°				QC APPRV	UPN	11/22/2010	
SURFACE FINISH:				ENG APPRV	BD	11/22/2010	SIZE 10A
MACHINED 128 [3.2] ✓				MATERIAL:		DWG NO.	115029S1
MOLDED 64 [1.6] ✓				SEE NOTES		REV.	0
FINISH:				SCALE		CADFILE	SHEET
				-CAD GENERATED DRAWING- DO NOT MANUALLY UPDATE DO NOT SCALE		NONE	03324
							2 OF 2