

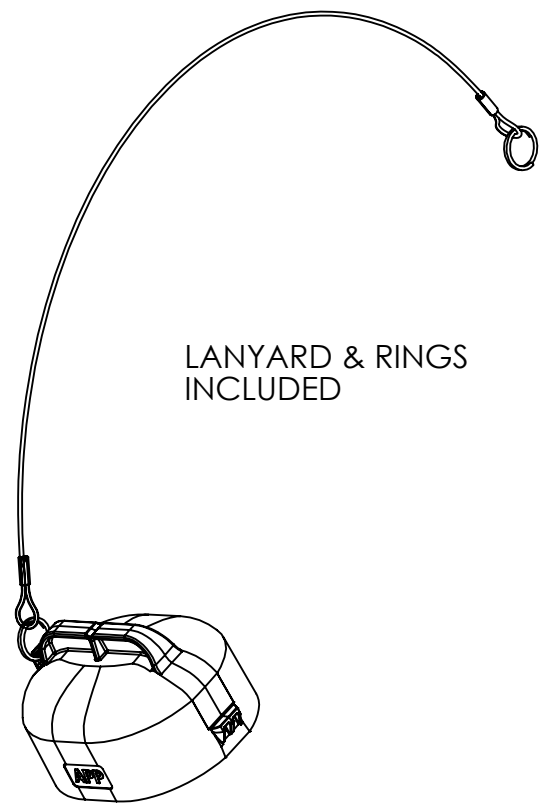
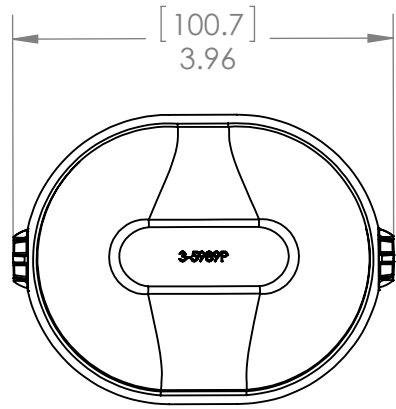
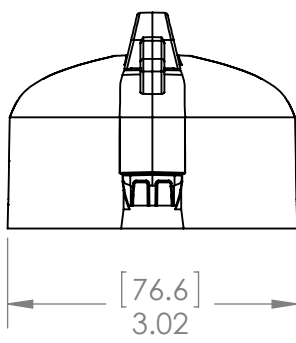
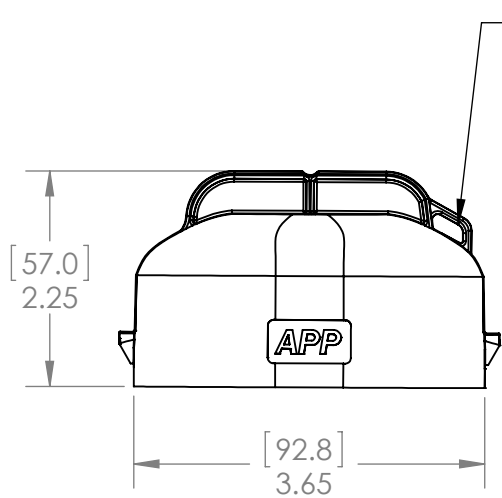
THE INFORMATION CONTAINED IN THIS DRAWING IS THE SOLE PROPERTY OF ANDERSON POWER PRODUCTS. ANY REPRODUCTION IN PART OR WHOLE WITHOUT THE WRITTEN PERMISSION OF ANDERSON POWER PRODUCTS IS PROHIBITED.

Copyright 2011

ANDERSON POWER PRODUCTS RESERVES THE RIGHT TO ALTER PRODUCT TYPES, THEIR TECHNICAL DATA, DIMENSION, STYLE AND ACCESSORIES WITHOUT PRIOR NOTIFICATION.

D
C
B
A

D
C
B
A



LANYARD & RINGS INCLUDED

COVER MATERIAL: PBT/PC-BLACK
LANYARD MATERIAL: STAINLESS STEEL
SPLIT RING MATERIAL: STAINLESS STEEL

DIMENSIONS ARE IN:		INCH [MM]		<i>APPROVALS</i>		ANDERSON POWER PRODUCTS	
UNLESS OTHERWISE STATED				DRAWN	TWE	2/23/2011	TITLE HIGH POWER SPEC PAK RECEPTACLE COVER SALES OUTLINE DRAWING SK9-095
TOLERANCES:				CHECKED	LLD	2/24/2011	
DECIMALS (INCH) DECIMALS (MM) ANGLES .XX ±.02 .X ±.5 ±2°				MFG APPRV	CHB	2/25/2011	
SURFACE FINISH:				QC APPRV	UFN	2/24/2011	
MATERIAL:				ENG APPRV		CHB_BD	2/28/2011
FINISH:				SIZE	A	DWG NO.	115043S1
REVISIONS				SCALE	NONE	CADFILE	03417
REV. DESCRIPTION APPRV DATE				-CAD GENERATED DRAWING- DO NOT MANUALLY UPDATE DO NOT SCALE		REV. 0	
REVISIONS				3rd ANGLE PROJECTION		SHEET 1 OF 1	