

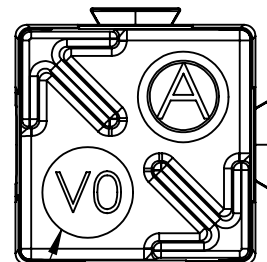
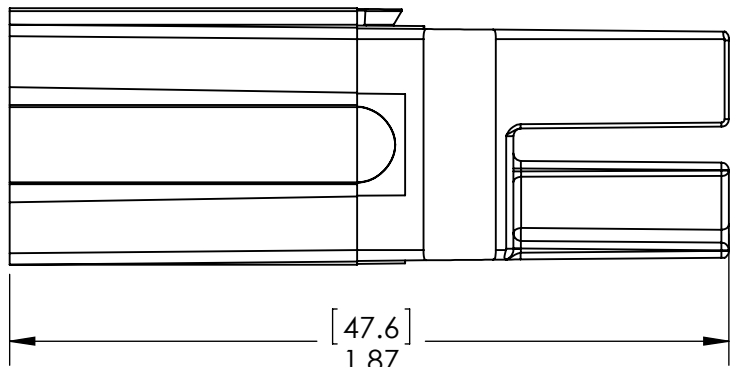
THE INFORMATION CONTAINED IN THIS DRAWING IS THE SOLE PROPERTY OF ANDERSON POWER PRODUCTS. ANY REPRODUCTION IN PART OR WHOLE WITHOUT THE WRITTEN PERMISSION OF ANDERSON POWER PRODUCTS IS PROHIBITED.

Copyright 2012

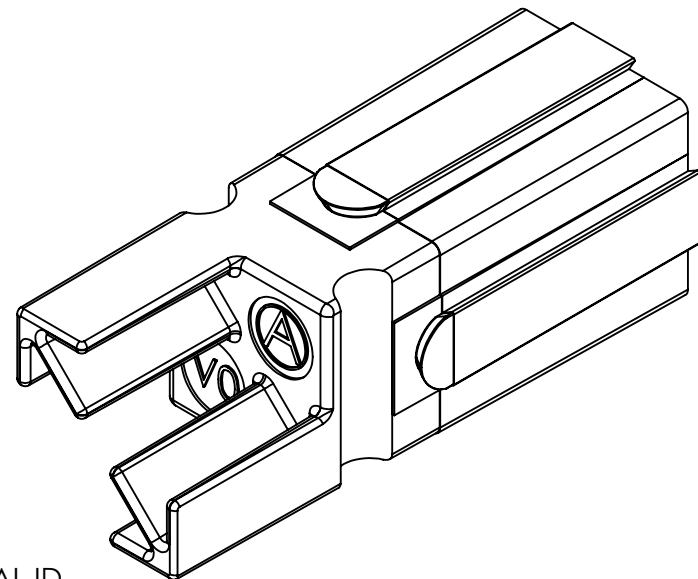
ANDERSON POWER PRODUCTS RESERVES THE RIGHT TO ALTER PRODUCT TYPES, THEIR TECHNICAL DATA, DIMENSION, STYLE AND ACCESSORIES WITHOUT PRIOR NOTIFICATION.

D

D



SEE TABLE FOR MATERIAL ID

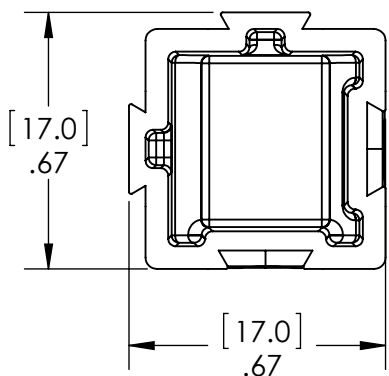


C

C

B

B



POWERPOLE 75 SPACER			
COLOR	MATERIAL	MATERIAL ID	CATALOG NUMBER
RED	POLYCARBONATE	V0	1399G21-BK
RED	PBT+PC	P	1399G22-BK

- NOTES:
1. THESE SPACERS ARE INTENDED TO PROVIDE A KEYING FEATURE TO POWERPOLE ARRAYS.
 2. 1399G21 SHOWN UNLESS NOTED OTHERWISE

DIMENSIONS ARE IN:	INCH [MM]	APPROVALS		ANDERSON POWER PRODUCTS TITLE SALES OUTLINE FOR PP75 LONG SPACER
UNLESS OTHERWISE STATED		DRAWN	10/5/2012	
TOLERANCES:		MC		
DECIMALS (INCH)	DECIMALS (MM)	CHECKED	11/7/2012	
.XX ± .02	.X ± .5	NTS		
SURFACE FINISH:		MFG APPRV		
MACHINED	128µin [3.2µ]	CHB	11/7/2012	
MOLDED	64µin [1.6µ]	QC APPRV		
MATERIAL:		UFN	11/7/2012	
FINISH:		ENG APPRV		
		BC	11/7/2012	
SIZE	DWG NO.	REV.		
A	1152051	0		

A

A

REV.	DESCRIPTION	APPRV	DATE
REVISIONS			



-CAD GENERATED DRAWING-
DO NOT MANUALLY UPDATE
DO NOT SCALE

SCALE	CADFILE	SHEET
NONE	03828	1 OF 1